

16

15

14

13

12

11

10

9

8

7

6

5

4

3

2

1

L

K

J

I

H

G

F

E

D

C

B

A

L

K

J

I

H

G

F

E

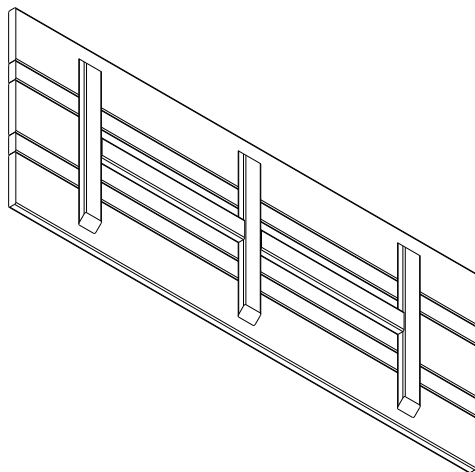
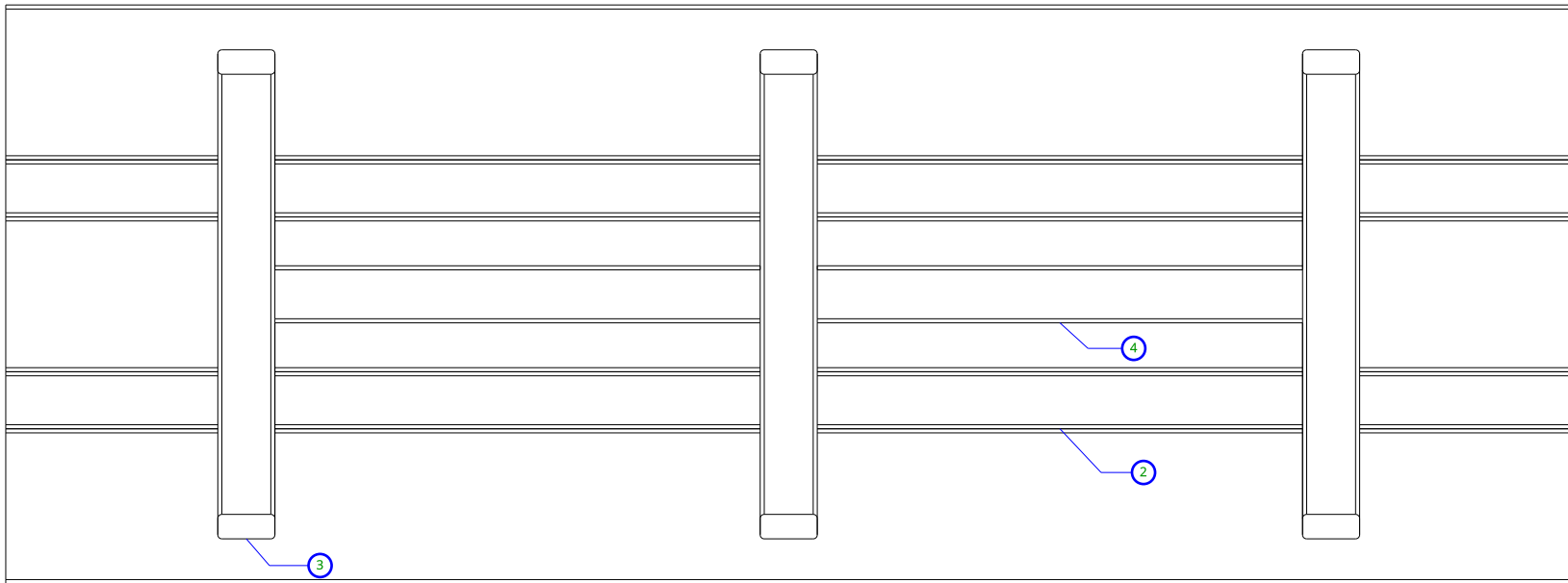
D

C

B

A

| REVISION HISTORY | | | |
|------------------|-------------|------|----------|
| REV | DESCRIPTION | DATE | APPROVED |
| | | | |



| ITEM | QTY | DESCRIPTION |
|------|-----|-------------|
| 4 | 2 | 2x4x29.75 |
| 3 | 3 | 2x4x30 |
| 2 | 2 | 2x4x96 |
| 1 | 3 | 2x10x96 |

UNLESS OTHERWISE SPECIFIED
DIM ARE IN MILLIMETERS
TOL ON ANGLES ±.XX°
0 PLACE ±.X 1 PLACE ±.X
INTERPRET DIM AND TOL
PER ASME Y14.5M-2013

THIRD ANGLE PROJECTION

AUTHOR N. CLAMPITT
DATE 20180609

ChipsWoodShop.com

TITLE
TABLE, OUTDOOR

| | | |
|--------------|-----------------|----------------|
| SIZE A1 | DWGNO 000010 | REV - |
| SCALE 1:4 | WEIGHT N/A | SHEET 1 / 1 |

NonCommercial-ShareAlike 2.5 Generic License. To view a copy of this license, visit <http://creativecommons.org/licenses/by-nc-sa/2.5/> or send a letter to Creative Commons, PO Box 1866, Mountain View, CA 94042, USA.

16

15

14

13

12

11

10

9

8

7

6

5

4

3

2

1