

16

15

14

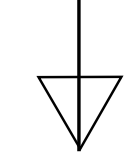
13

12

11

10

9



8

7

6

5

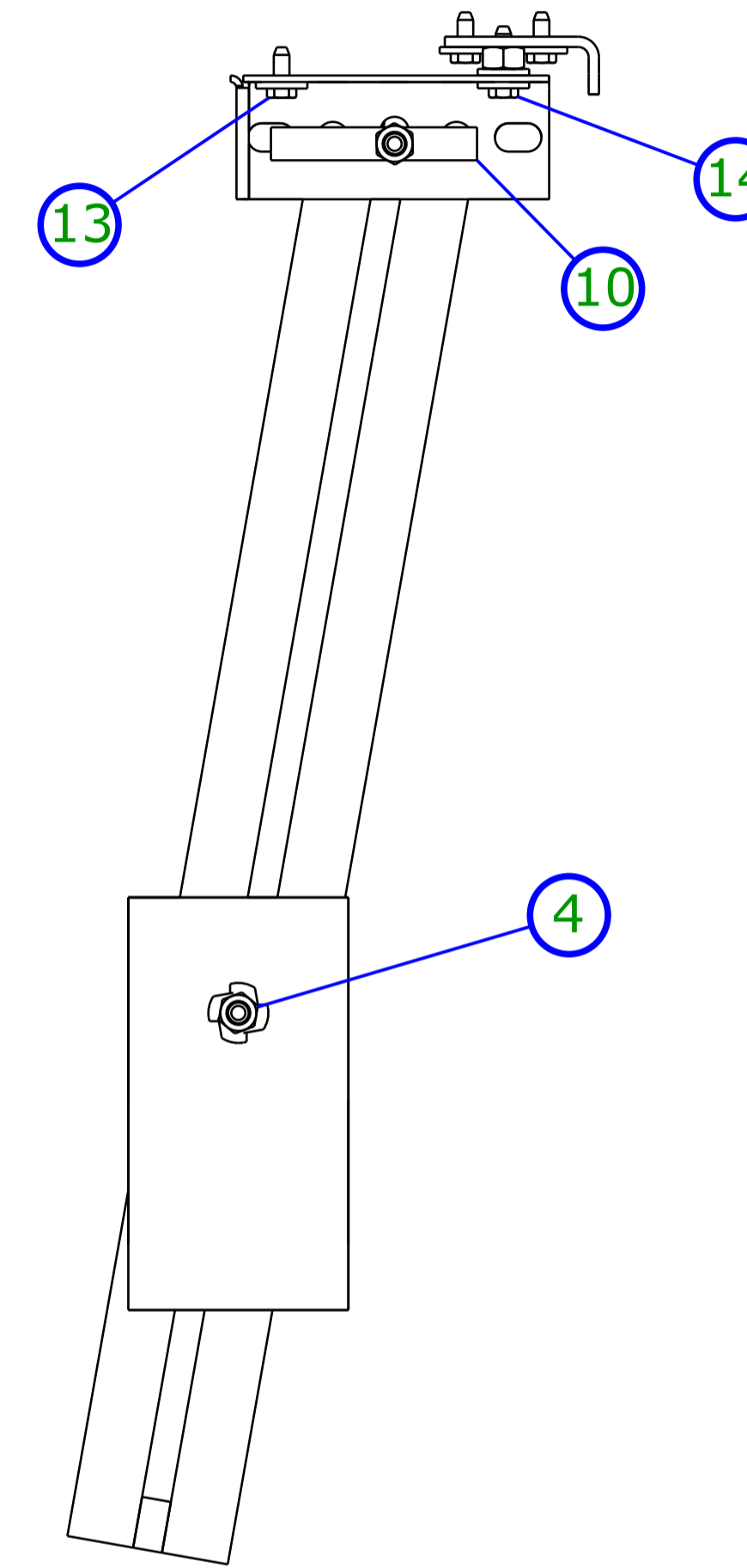
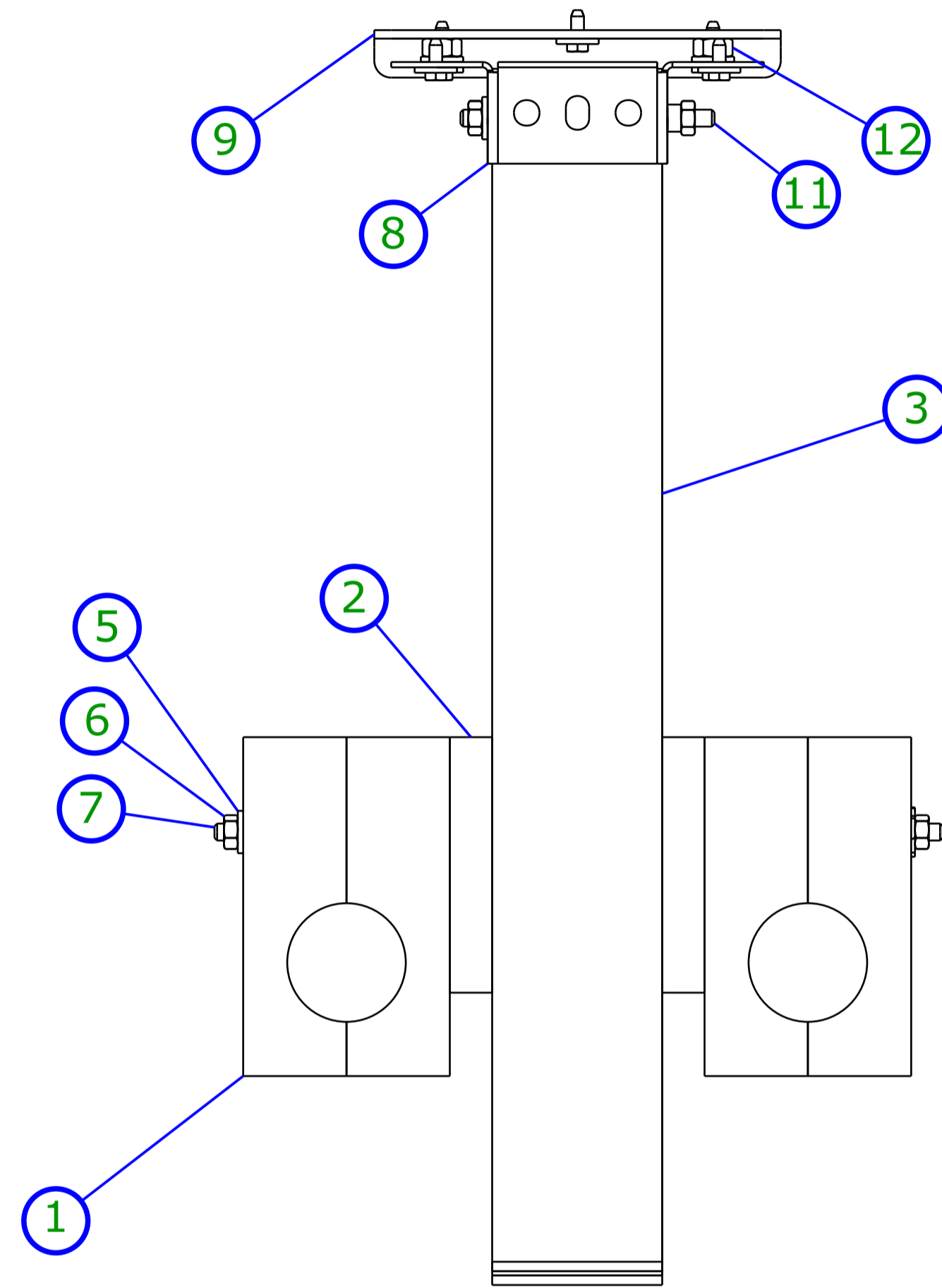
4

3

2

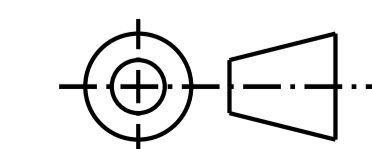
1

REVISION HISTORY			
REV	DESCRIPTION	DATE	APPROVED



14	MACHINE SCREW 10-24 x 3/4	2
13	MACHINE SCREW 10-24 x 1/2	4
12	NUT 5/16	2
11	THREADED ROD 1/4-20 X 3.75	1
10	FLAG	1
9	PLATE	1
8	ANGLE BRACKET	1
7	THREADED ROD 1/4-20 x 10.75	1
6	HEX NUT 1/4-20	4
5	WASHER 1/4	10
4	T-NUT	1
3	STRUT ASSEMBLY	1
2	SPACER	2
1	JAW	4
ITEM #	DESCRIPTION	QTY

UNLESS OTHERWISE SPECIFIED
DIM ARE IN INCHES
(REF DIM IN MM)
TOL ±1/16 INCH (±2 MM)
INTERPRET DIM AND TOL
PER ASME Y14.5M-2013
THIRD ANGLE PROJECTION



AUTHOR
N. CLAMPITT
DATE
20170531

ChipsWoodShop.com

TITLE
**BRACE, TABLE
SHOPSMITH HACK #2**

SIZE A1	DWG NO 000005	REV -
SCALE 1:2	WEIGHT N/A	SHEET 1 / 2

This work is licensed under the Creative Commons Attribution-NonCommercial-ShareAlike 2.5 Generic License. To view a copy of this license, visit <http://creativecommons.org/licenses/by-nc-sa/2.5/> or send a letter to Creative Commons, PO Box 1866, Mountain View, CA 94042, USA.

16

15

14

13

12

11

10

9



8

7

6

5

4

3

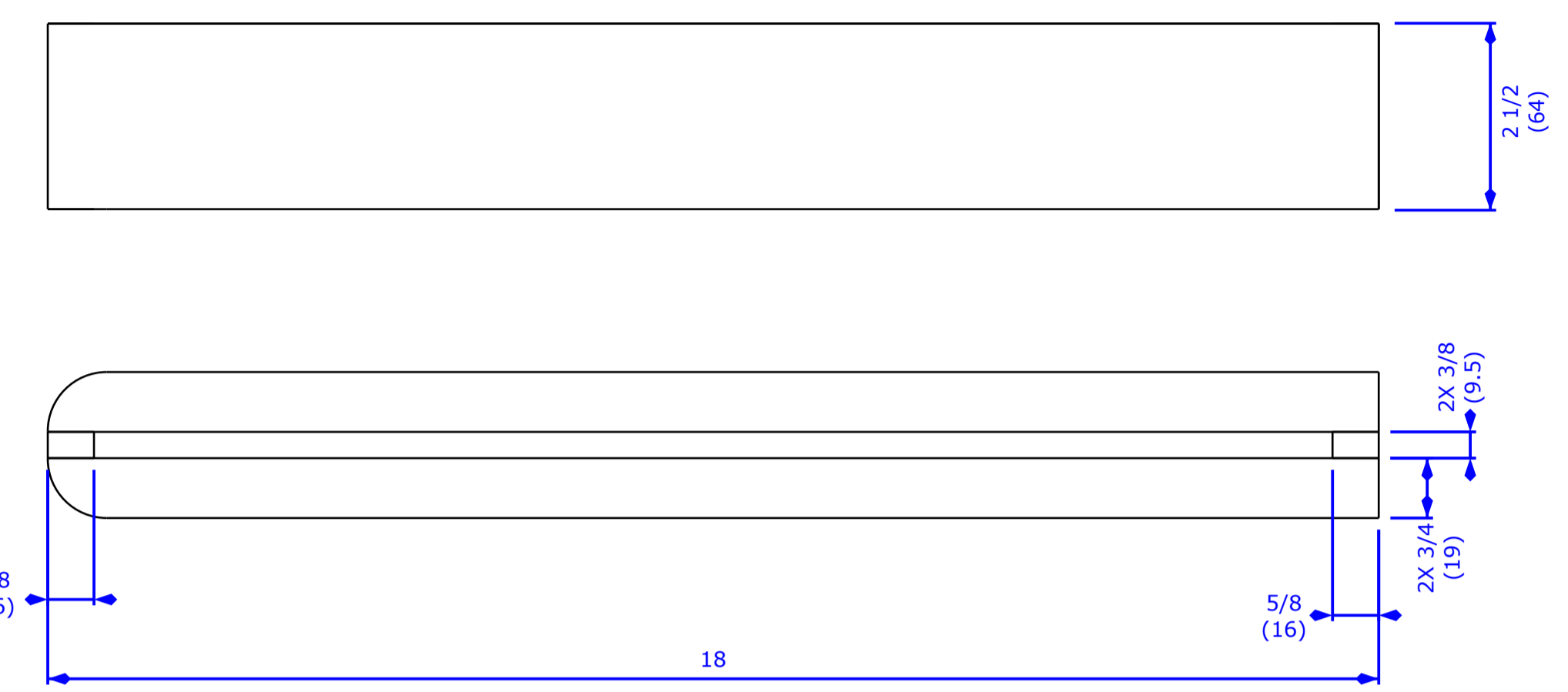
2

1

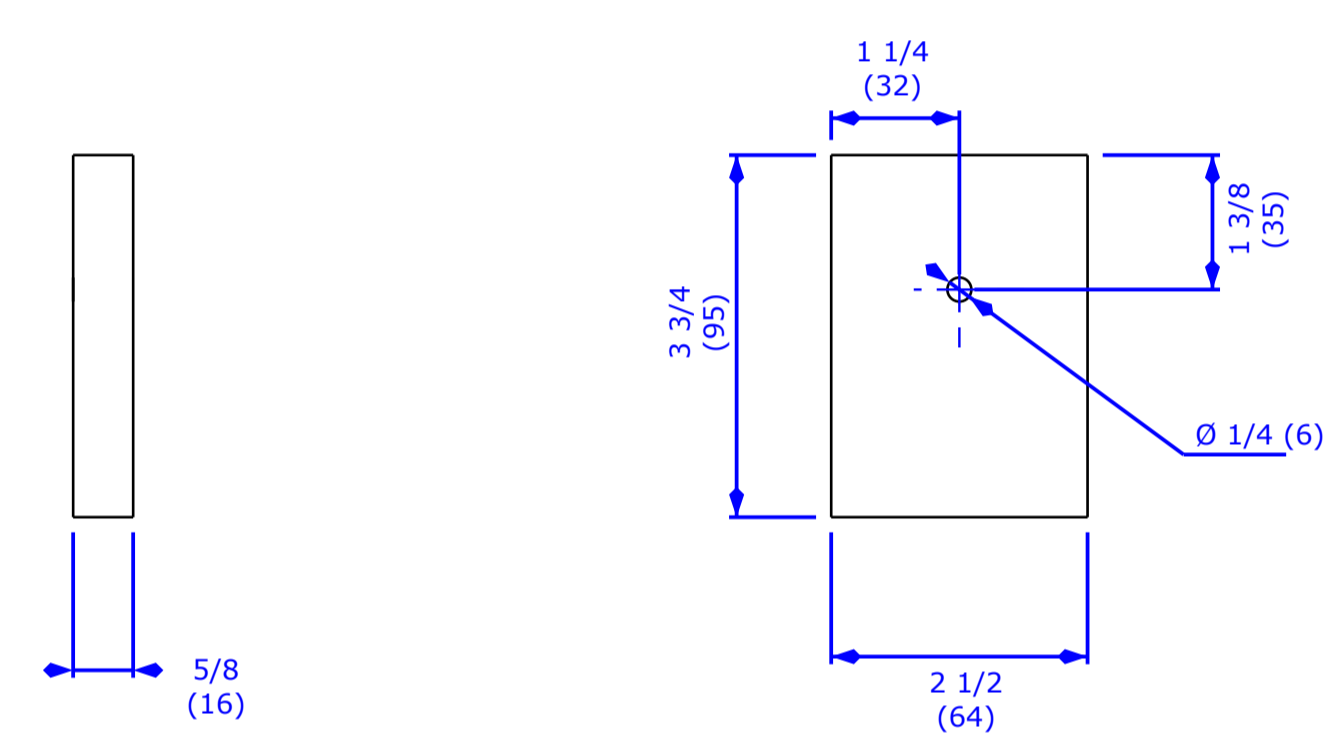
16 15 14 13 12 11 10 9 8 7 6 5 4 3 2 1

L
K
J
I
H
G
F
E
D
C
B
A

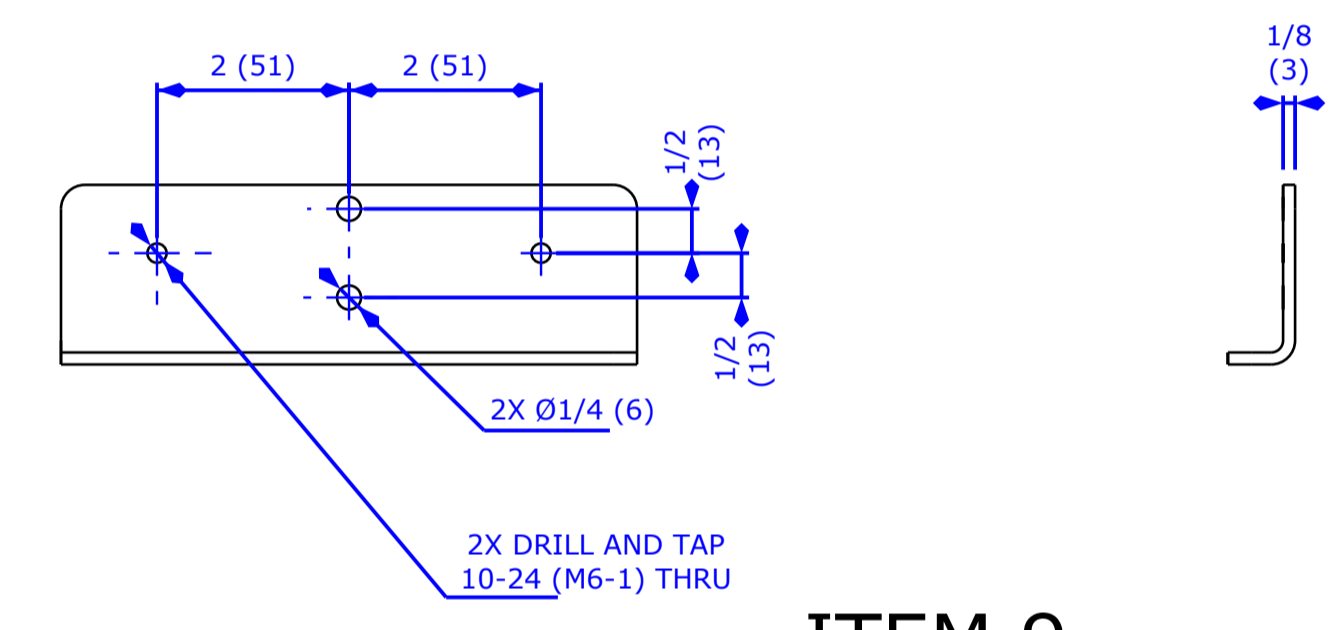
L
K
J
I
H
G
F
E
D
C
B
A



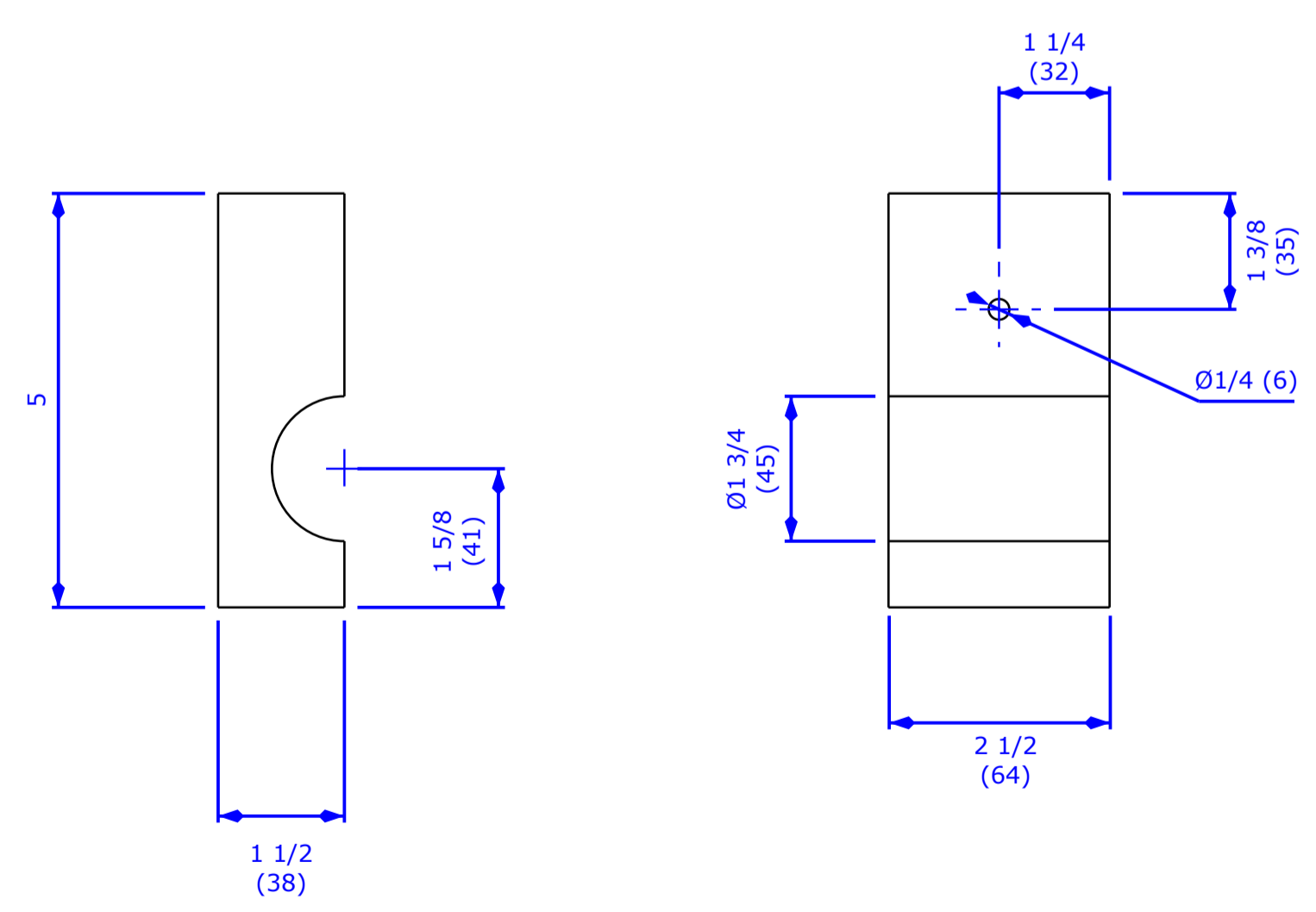
ITEM 3



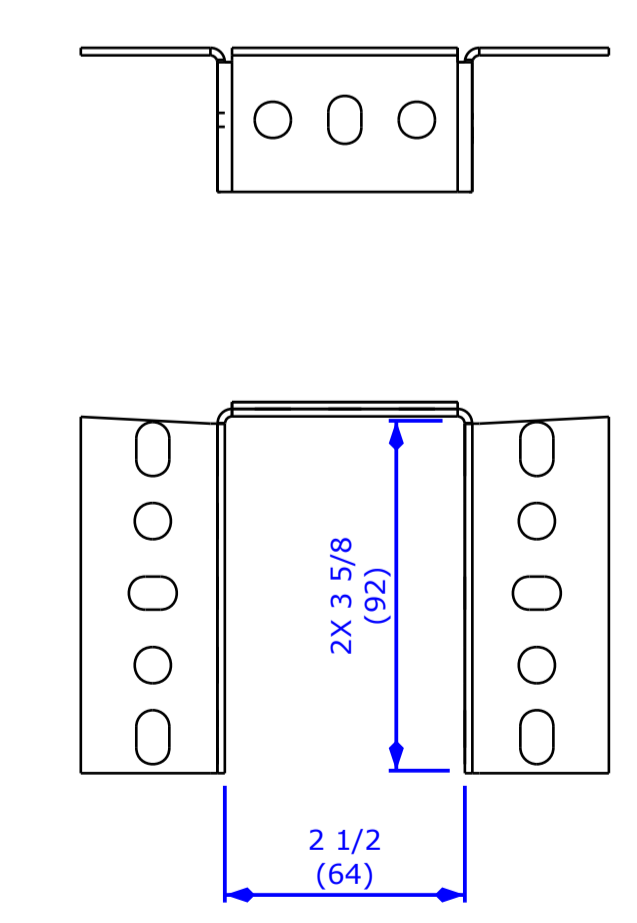
ITEM 2



ITEM 9



ITEM 1



ITEM 8

This work is licensed under the Creative Commons Attribution-NonCommercial-ShareAlike 2.5 Generic License. To view a copy of this license, visit <http://creativecommons.org/licenses/by-nc-sa/2.5/> or send a letter to Creative Commons, PO Box 1866, Mountain View, CA 94042, USA.

SIZE A1	DWG NO 000005	REV -
SCALE 1:2	SHEET 2 / 2	

16 15 14 13 12 11 10 9 8 7 6 5 4 3 2 1