

# MYSTERIOUS MANSION

## BUILDING INSTRUCTIONS



# INTRODUCTION

Build yourself a **Mysterious Mansion Clock** inspired by the Addams Family clock from the movie. This clock is the perfect woodworking craft project and will look really great in your home or for your Halloween horror display. It's pretty easy to make using common workshop tools and basic woodworking skills. Plans come as digital PDF files containing detailed instructions on how to cut and assemble the components of the clock. We also give you full sized paper templates to help with the cutting out process. We also supply detailed A4 artwork for you to print out and apply to the outside surface of the clock. You simply supply the wood, the glue and the clock movement and we provide everything else. You can see from the photographs that very good results can be obtained with a little bit of time and effort. If you are an experienced woodworker with a scrollsaw (or bandsaw) and a sander, you can have all the pieces cut out and sanded, ready for assembly, in a couple of hours. The whole process of cutting, assembly, painting and applying graphics can easily be completed in a couple of weekends.

## Files Supplied

Your download package contains four PDF files:-

01-instructions.pdf	(This file)
02-templates.pdf	(A4 Paper templates to help make the pieces)
03-graphics-walls.pdf	(A4 Colour graphics for the walls of the clock)
04-graphics-roof.pdf	(A4 Colour graphics for the roof of the clock)

## Materials Required

- 5 x A3 sheets of 3mm MDF sheet (approx.)
- 1 x 60ml tube of UHU glue
- 1 x 22g Pritt Stick
- 1 x 85 mm clock insert (see notes below)
- 11 sheets of Matt Inkjet printer paper
- Odd bits of softwood

## Notes about the clock movement.

The clock insert must have an outside diameter of 85mm and an internal clock size of less than 75mm or it will not be correct for this clock. There are a number of suppliers of these type of units.

In the UK a movement of the correct type can be purchased from MEGAQUARTZ.CO.UK. They have two models available that are suitable for this project, one with a gold retro dial and roman numerals, the other with a silver dial and Arabic numbers.

NB. Clock insert movements are designed to fit into a circular hole with a simple push fit. Because they come in different designs and sizes, and we have no way of knowing which type of movement you have purchased, we have not marked the exact insert hole size on the templates. We have however, marked the suggested OUTSIDE diameter of the clock and the CENTRE point of the clock on the templates. You will have to measure the internal size of your own clock insert and then cut your insertion hole at the correct size to suit the movement that you have purchased.

## Copyright Notice

Your licence is for personal use only. Reselling, sharing or commercial use of the plans or artwork is not allowed.

# **INSTRUCTIONS**

The **Mysterious Mansion** clock is not difficult to make as long as you cut out the pieces accurately and fix the graphics carefully. However, the quality of the finished product will depend on how skilfully you assemble the component items.

## **STEP 1 – PRINT THE TEMPLATES**

Using your home printer with A4 plain paper, print out the file **02-TEMPLATES.PDF** in landscape format. This will print full sized templates for the clock components. If you are printing from the Adobe Acrobat reader program, make sure that you have set the print output to be **actual size** or you will get incorrectly sized templates. You can check that everything is sized correctly by checking the test square on the first page of the templates. It should measure exactly 5 cm square.

Once you are happy that the template printouts are scaled correctly, cut them out with scissors (as close to the lines as possible) and glue them to the 3mm MDF sheets. Arrange them carefully to minimise wastage. I would recommend Pritt Stick or something similar to stick them onto the MDF. Make sure that you fix them securely, especially under the cut lines, as the scroll saw action can lift the templates off the MDF when cutting.

## **STEP 2 - CUT & SAND THE COMPONENT PIECES**

When your templates are all glued securely, cut out the component pieces carefully with the scroll saw (as close to the lines as possible) and then sand accurately to the lines. Some pieces (mostly roof pieces) will need bevelling at 45 degrees on one, or all, of their back edges. The edges that need bevelling are marked on the templates. Be accurate with your cutting and sanding as this will affect the fit of the parts when you start to assemble.

## **STEP 3 - ASSEMBLY**

Before you assemble the components remove the paper templates by dabbing them with a damp cloth. This will loosen the glue. Don't use too much water as the MDF will soak it up. Make a note of the numbers on the templates which identify each piece. You can write the identifying numbers on the MDF pieces with a marker pen.

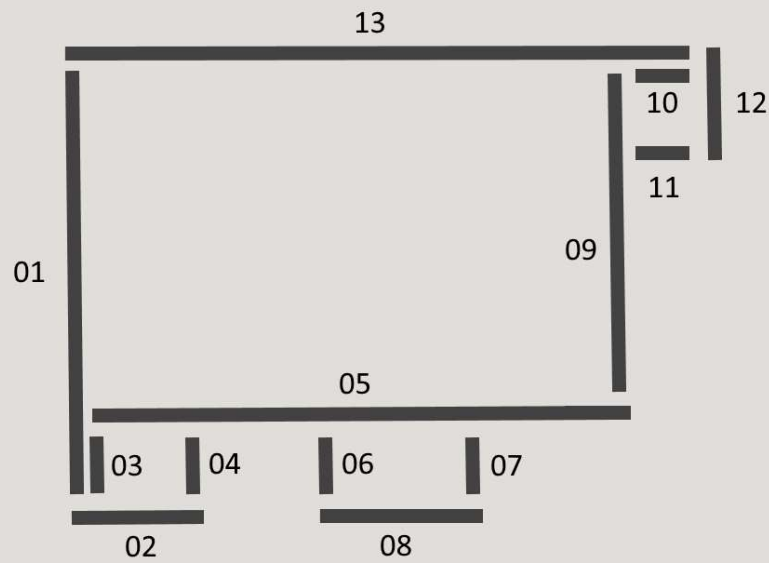
Using the UHU glue, start to assemble the clock starting with the base piece, then building up the walls around the base. Apply the glue sparingly to the edges and avoid stringing. Refer to the assembly drawings on the following pages so you know which parts go where and in which order. Make sure that everything is square when gluing.

When you have assembled the side walls of the clock you can start on the roof. The roof is a bit more difficult as the pieces are bevelled and the roof has many odd angles. Again, refer to the photographs and assembly diagrams to check that you have got everything in the right place.

Make sure all faces of the MDF are lightly sanded to remove any rough edges and glue residue.

## ASSEMBLY 1 – BASE UNIT

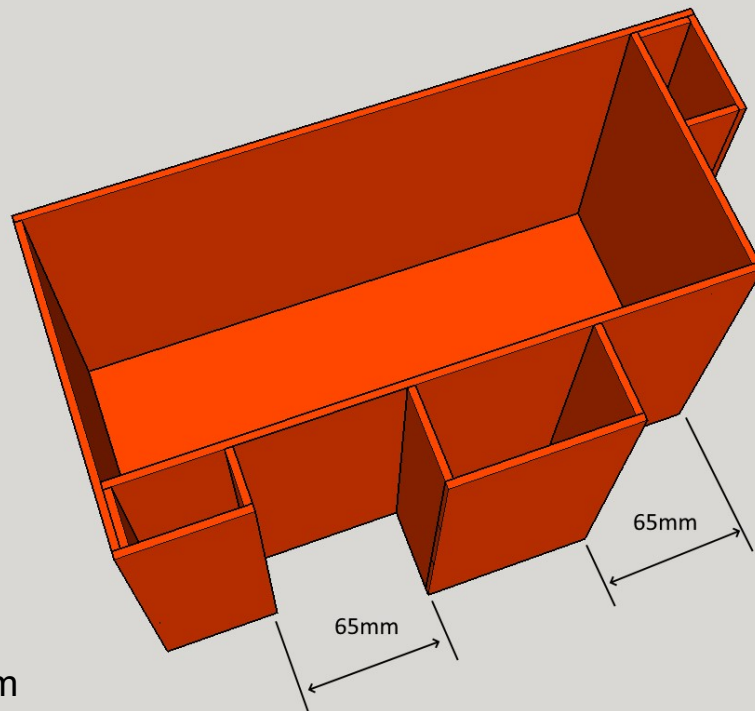
The **base unit** pieces are numbered on the templates to aid assembly



Glue them together in the sequence shown making sure that all edges are square

## ASSEMBLY 2 – BASE UNIT

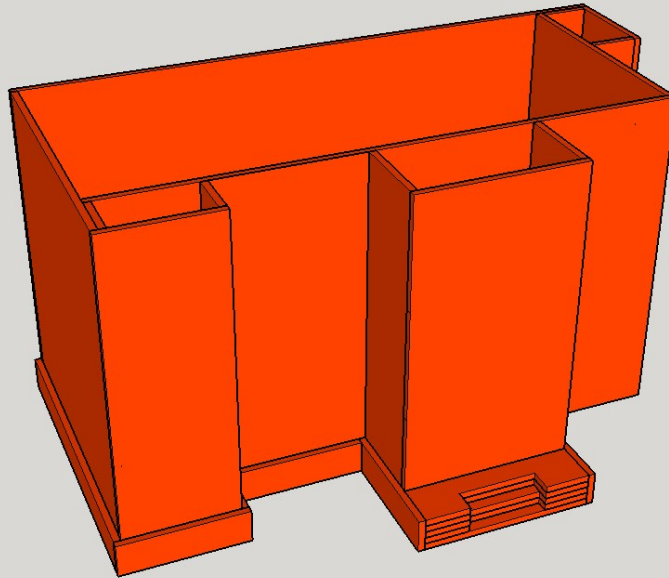
The finished **base unit**



Parts 06, 07 and 08, when assembled, should be centered as shown with 65mm either side

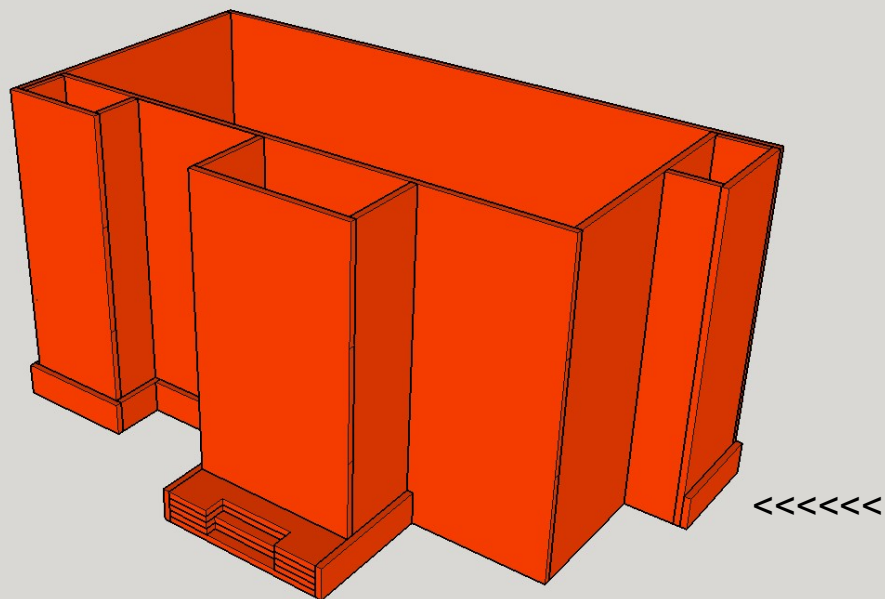
### ASSEMBLY 3 – PLINTH AND STEPS

Fix the **plinth** pieces and the **porch steps** at the front of the base unit



Plinth pieces are 14, 15, 16, 17, 18, 19 and 20  
and the porch steps, pieces 21, 22, 23, 24, and 25

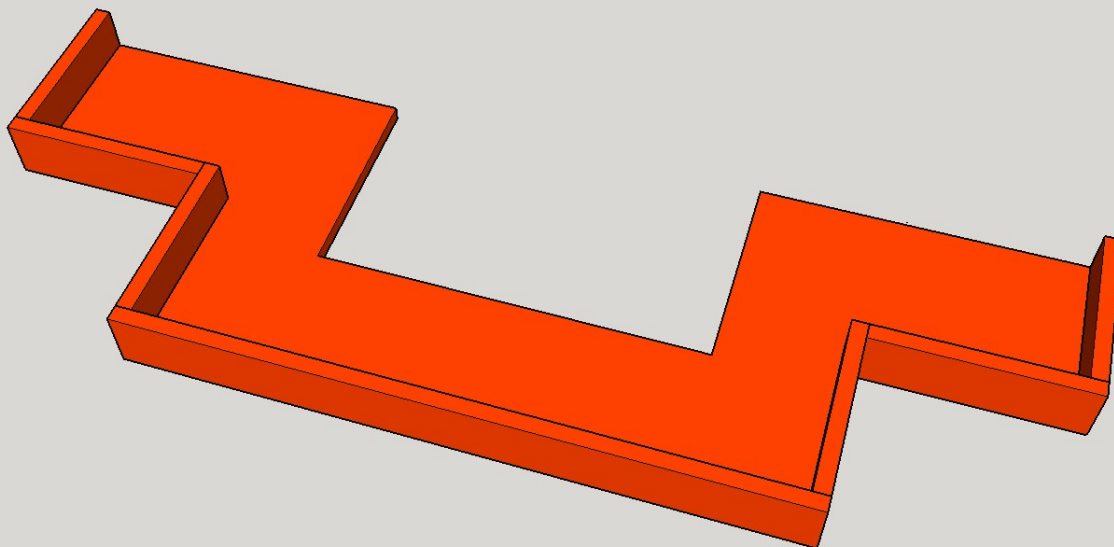
### ASSEMBLY 4 – PLINTH AND STEPS



Don't forget the last **plinth** piece, number 20

## ASSEMBLY 5 – BALCONY ASSEMBLY

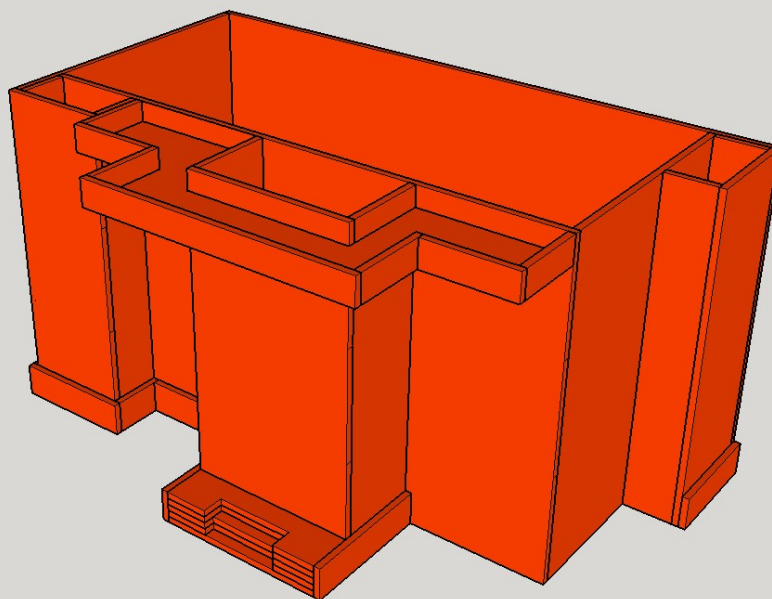
Construct the **balcony assembly** from pieces 28, 29, 30, 31, 32, 33, 34 and 35



Assemble this on a flat surface to ensure the accuracy of the fit

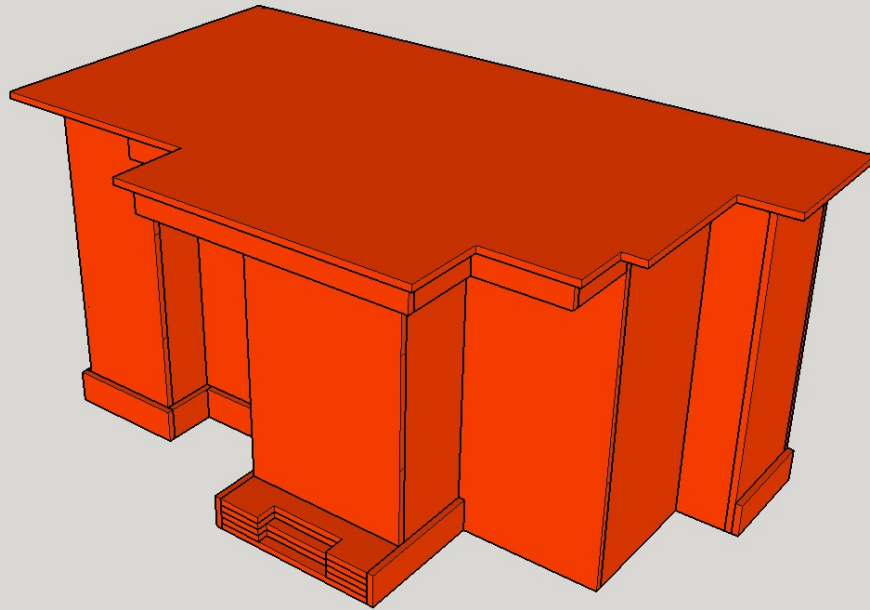
## ASSEMBLY 6 – BALCONY ASSEMBLY

Then fix in place on the main unit as shown



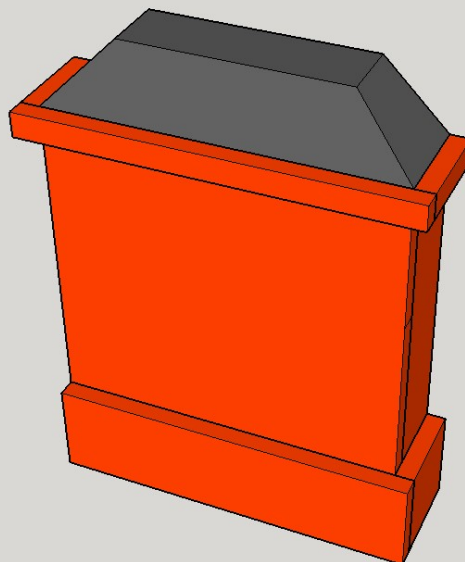
## ASSEMBLY 7 – BALCONY TOP PIECE

Apply the **balcony top piece** making sure that it is flush at the back and fitted with equal overhang spacing all around the sides and front



## ASSEMBLY 8 – BAY WINDOW

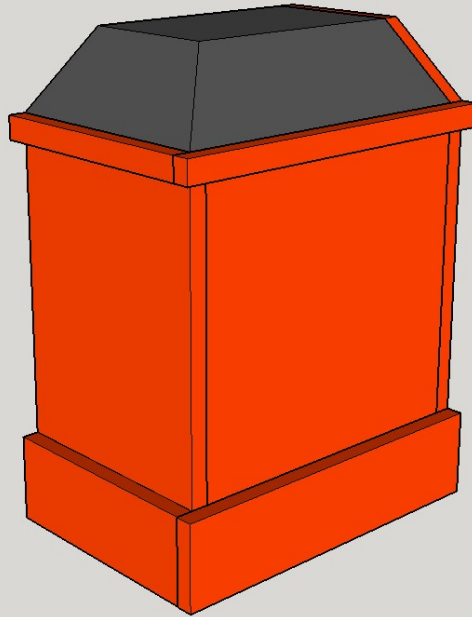
Assemble the **bay window**. Pieces 60, 61, 62, 63, 64, 65, 66, 67, 68, 69, 70 and 71



**NB. Do not glue this item to the base unit just yet**

## ASSEMBLY 9 – CONSERVATORY

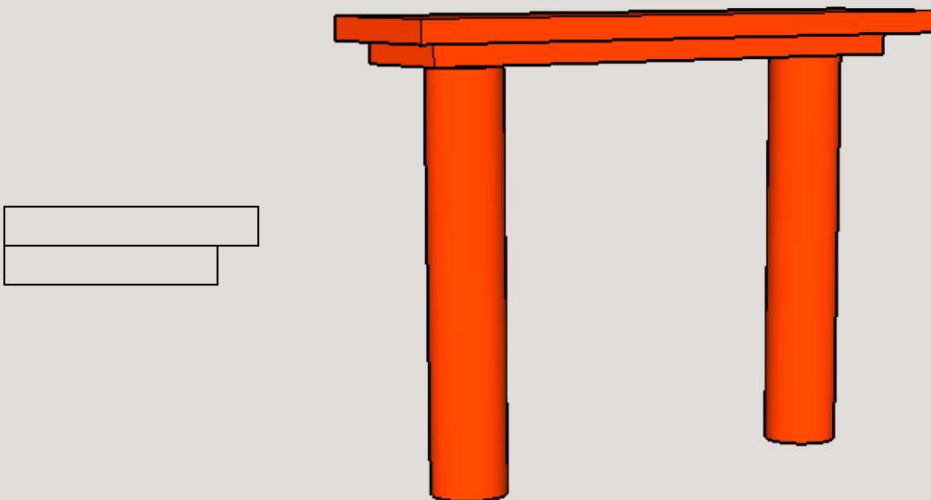
Assemble the **conservatory**. Pieces 72, 73, 74, 75, 76, 77, 78, 79, 80 and 81



**NB. Do not fix this item to the base unit just yet**

## ASSEMBLY 10 – PORCH CANOPY

Assemble the **Porch Canopy**. Pieces 26 and 27 can be glued together. Then cut two columns to 55mm length from 10mm diameter dowel .

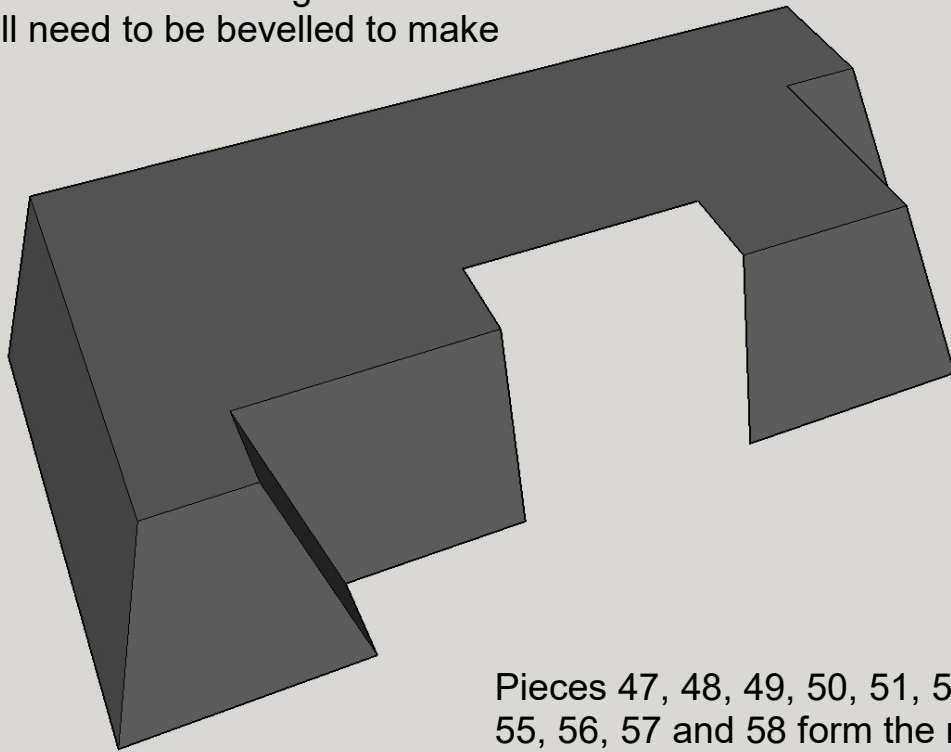


**NB. Do not glue the columns on yet.**



## ASSEMBLY 11 – ROOF

Assemble the roof pieces and glue them to the top of the base unit. The edges of the roof pieces will need to be bevelled to make them fit.



Pieces 47, 48, 49, 50, 51, 52, 53, 54, 55, 56, 57 and 58 form the main roof.

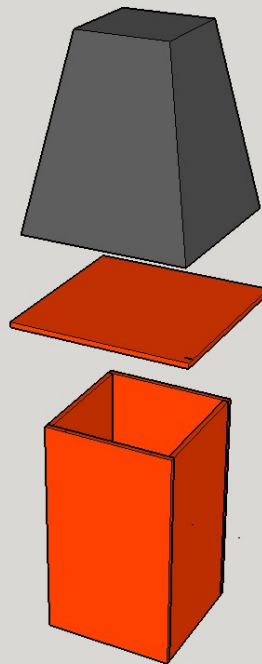
## ASSEMBLY 12 – TOWER

The **tower** unit should be assembled and fitted along with the roof pieces to ensure that they all fit together nicely.

The **tower** is made up of pieces 37, 38, 39, 40 and 41.

The **tower roof** from pieces 42, 43, 44, 45 and 46.

The edges of the tower roof pieces will need to be bevelled to make them fit

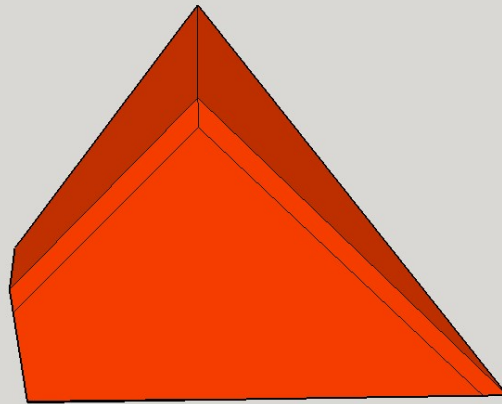


NB. The correct sized hole for your clock insert will need to have been cut before you assemble the tower.

## ASSEMBLY 13 – LARGE DORMER

Assemble the **Large Dormer** from pieces 58, 58 and 59.

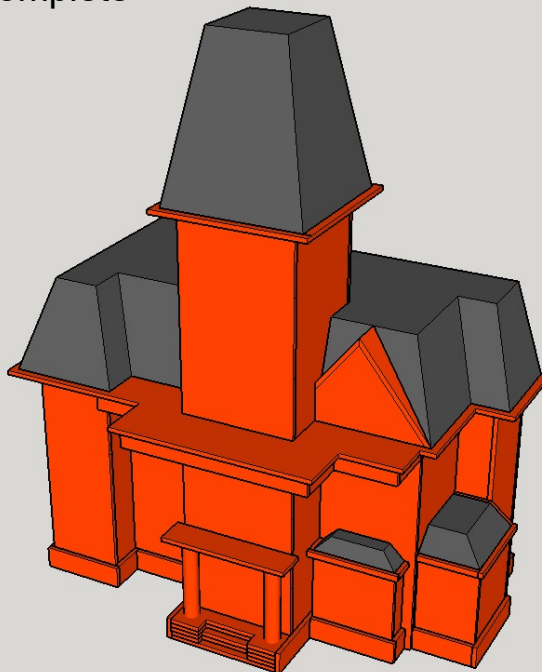
The pieces will need to be bevelled at the back to make them fit on the roof.



**NB. Do not fit this item to the base unit just yet**

## COMPLETED BASE UNIT

All components are now complete



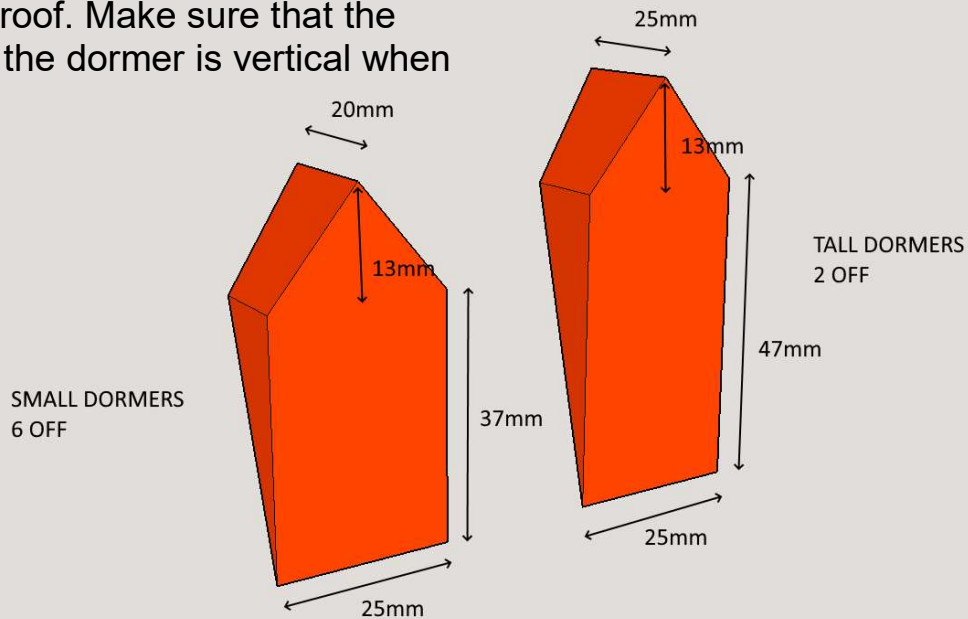
## **STEP 4 - MAKE THE BITS & BOBS**

Most of the construction work is now complete but the clock has a few extra pieces that you will need to make from softwood.

### **A – DORMERS**

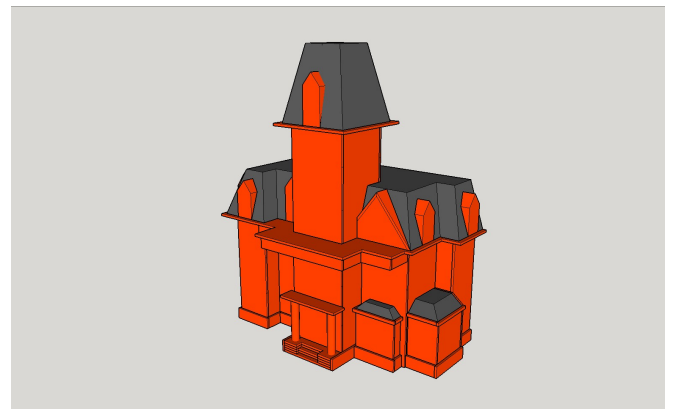
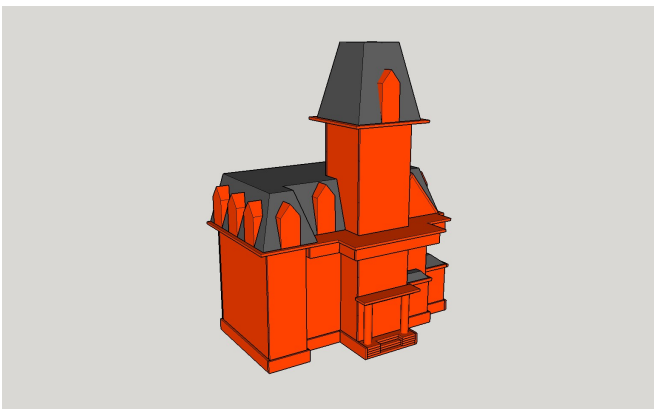
There are six small dormers to be made and two taller ones.

Cut the dormers to the sizes shown then sand the back face to allow for the slope of the roof. Make sure that the front face of the dormer is vertical when completed.



**NB. Do not fix these items to the base unit just yet**

The position of the dormers is shown here on the finished clock.



### **B – CHIMNEYS**

You will also need to make two chimney stacks from scrap wood sized 20mm x 20mm x 50mm. The MDF chimney tops (Pieces 82 and 83) can then be glued to the top of each stack.

**NB. Don't fix the chimneys to the base unit just yet.**

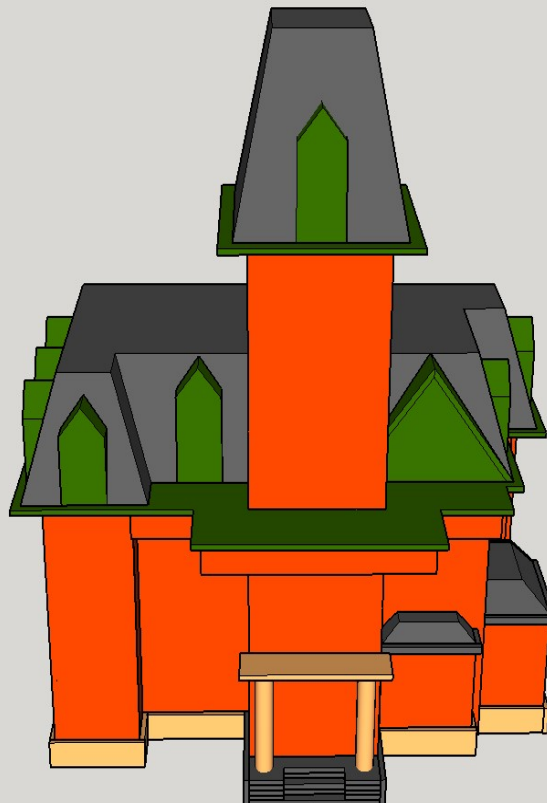
## STEP 5 – PAINTING

Now it's time to start painting some of the details on the clock. There are two colour schemes for the **Mysterious Mansion**, standard and Halloween. The colour scheme that you use will depend on which version of the clock you have purchased.

### STANDARD COLOUR SCHEME

PLINTH:	Beige (To match the walls artwork)
PORCH CANOPY	Beige (To match the walls artwork)
PORCH COLUMNS	Beige (To match the walls artwork)
PORCH STEPS:	Dark Grey (To match roof artwork)
BAY WINDOW ROOF:	Dark Grey (To match roof artwork)
CONSERVATORY ROOF:	Dark Grey (To match roof artwork)
BALCONY TOP:	Dark Green
LARGE DORMER:	Dark Green
DORMER WINDOWS:	Dark Green
TOWER BASE:	Dark Green

### STANDARD COLOUR SCHEME



Areas marked in the coral colour are bare wood and do not need to be painted. The tower roof and house roof do not need to be painted either but it is a good idea to do so as it covers the corners and edges. When you apply the graphics this will help if you leave any gaps.

## **HALLOWEEN COLOUR SCHEME**

If you have the Halloween themed clock with dark artwork, please paint ALL the highlight colours in black.

PLINTH:	Black
PORCH CANOPY	Black
PORCH COLUMNS	Black
PORCH BASE:	Black
BAY WINDOW ROOF:	Black
CONSERVATORY ROOF:	Black
BALCONY TOP:	Black
DORMER:	Black
DORMER WINDOWS:	Black
TOWER BASE:	Black

Regardless of the colour scheme, all colours should be matt, silk, or satin finish. Only a small amount of paint is needed so a good idea is to use tester pots from the local hardware store. Apply two coats of paint and sand the wood if necessary to get a good overall finish.

## **STEP 6 - APPLY THE GRAPHICS**

When your paint has dried you can start to apply the artwork.

Print out the two files **03-GRAPHICS-WALLS.PDF** and **04-GRAPHICS-ROOF.PDF** on your colour inkjet printer. Print them on **A4 Matt Inkjet Paper**, or **Thin Inkjet Card**. Make sure that you have set your printer for the correct paper type and at the highest quality setting. Also make sure that the printout is scaled correctly by using the same print settings that you did with the templates. Let the artwork dry out for 20 mins or so, to prevent smudging when you are handling it. If the artwork is damp it is also more difficult to cut out.

Starting with the walls, cut out the artwork, piece by piece, following the numbered sequence shown on the application diagram. It is better to do each piece in numbered order so as not to get mixed up with the sequence. Note that some pieces can be similar in size but have different artwork on them. Cut slightly **INSIDE** the grey cut lines, so that you don't see the grey line on the cut out piece. Check that the piece fits on the clock and then apply glue to the back of each piece with the Pritt stick. Be careful not to get any glue on the front face of the piece as it will smudge and leave unsightly marks. Apply each piece to the clock carefully and smooth it out, making sure that it is flat and there are no air bubbles or creases. Make sure the artwork is straight and aligned properly. If you make a mistake you can always remove it and print another piece. The corners of the building will be covered with vertical paper strips so don't worry if you leave any small gaps at the edges.

Most of the work is self explanatory and as you progress you will see where the graphics should fit. Please refer to the colour photographs of the finished clock to double check the placement. When the walls are completed you can apply the strips to the edges of the clock to complete the effect of the wooden planking. The roof graphics are applied in the same way, just make sure that the tile patterns line up correctly. Some of the roof pieces are similar in shape and if you are not careful they can be applied upside down. Again don't worry about the edges because you will cover them with strips to give a roof edging effect.

When all wall and roof graphics have been applied, and the wall and roof edging strips, you can move on to the final assembly stage.

## **STEP 7 – FINAL ASSEMBLY**

### **Bay Window**

Cut out and apply the graphics to the bay window and fix it in place at the front of the clock.

### **Conservatory**

Cut out and apply the graphics to the conservatory and fix it in place at the side of the clock. The conservatory graphics wrap around in one piece.

### **Chimneys**

Apply the brick graphics to the chimneys and fix them in place on the roof where marked. The chimney graphics wrap around in one piece and will need to be trimmed to fit.

### **Small Dormers**

Cut out and apply the graphics to the six small dormers and fix them in place on the roof.

### **Tall Dormers**

Cut out and apply the graphics to the two tall dormers and fix them in place on the roof and on the tower.

### **Large Dormer**

Cut out and apply the graphics to the large dormer and fix it in place at the side of the clock tower.

### **Porch Canopy**

Glue the columns in place and fix the whole assembly to the porch.

### **Clock Insert**

Slide your clock insert into the tower (be careful not to scratch the artwork on the balcony)

### **Make a Base**

You can also make a wooden base for the clock if you wish.

## **WELL DONE!**

Your **Mysterious Mansion** clock is now complete.

If you have enjoyed making this project then we would be most grateful if you could leave us some good feedback on our Etsy store.

We are always introducing new models to the range so please check the site often to see what new plans we have launched.

You can also favourite the site if you wish to make sure that you don't miss out on any new product releases.