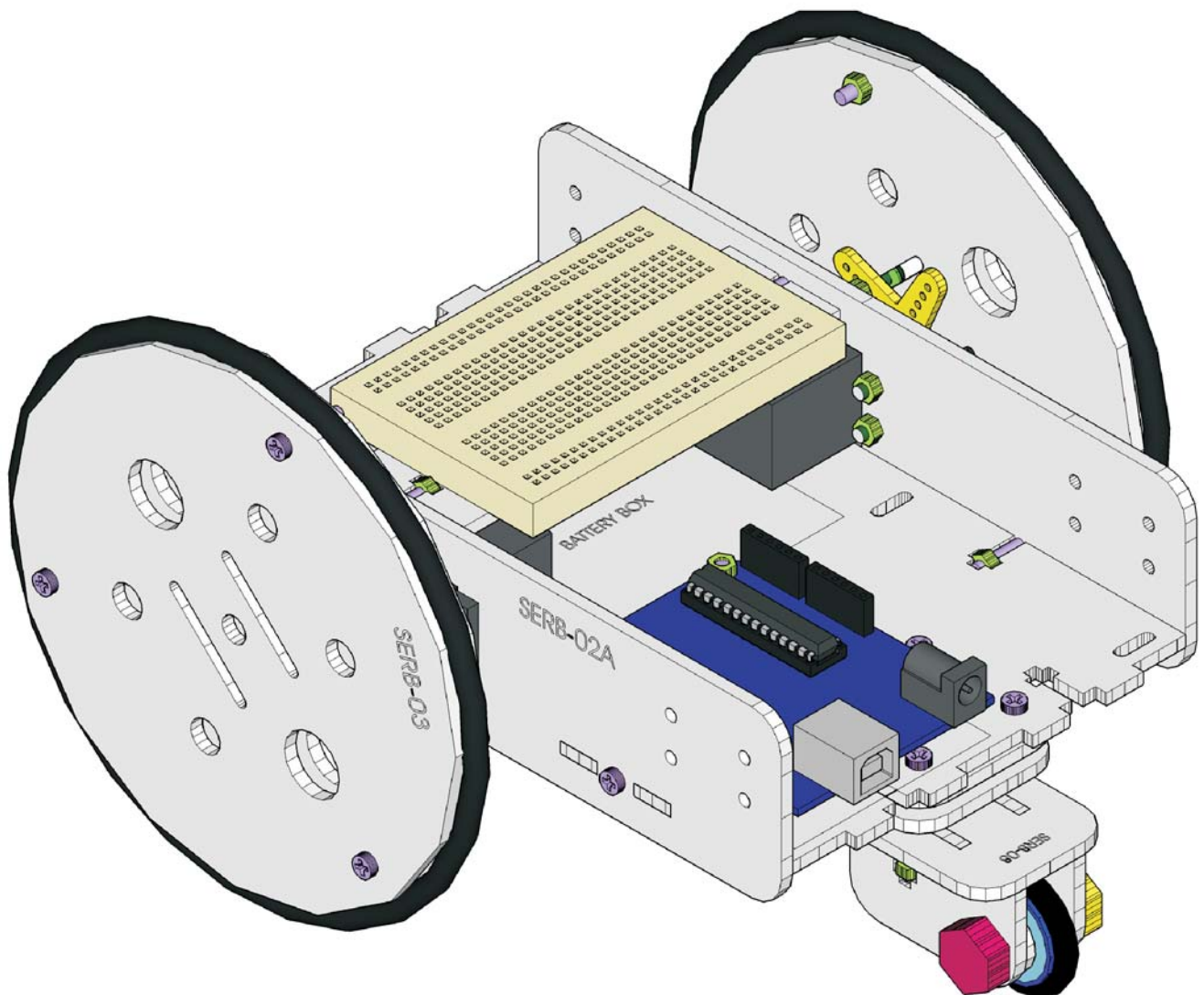
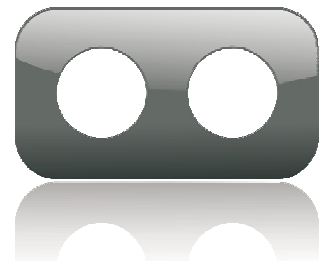


Arduino Controlled Servo Robot Robot Assembly Guide









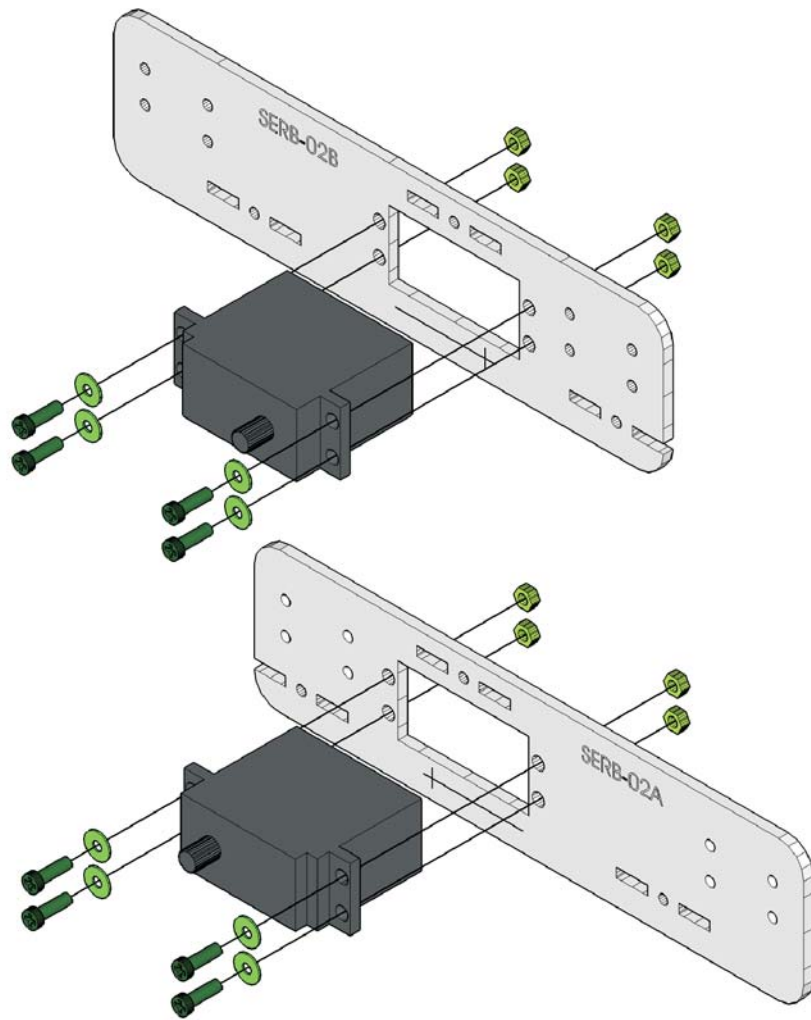
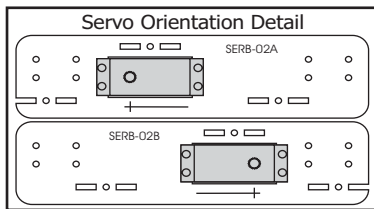
(SERB)

www.oomlout.com







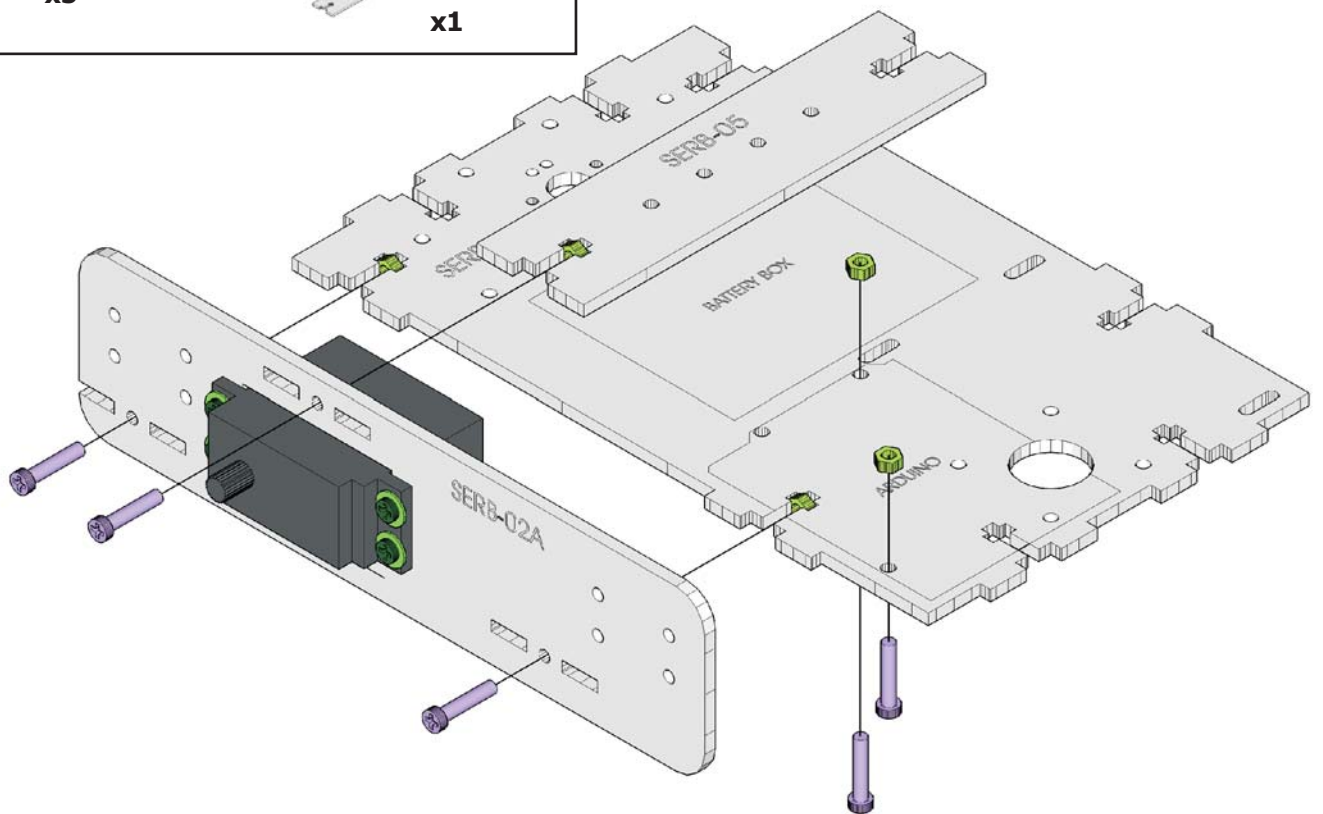
1.

-  3mm x 10mm bolt **x8**
-  3mm x 10mm bolt **x8**
-  3mm nut **x8**
-  continuous rotation servo **x2**
-  SERB-02B left servo side **x1**
-  SERB-02A right servo side **x1**





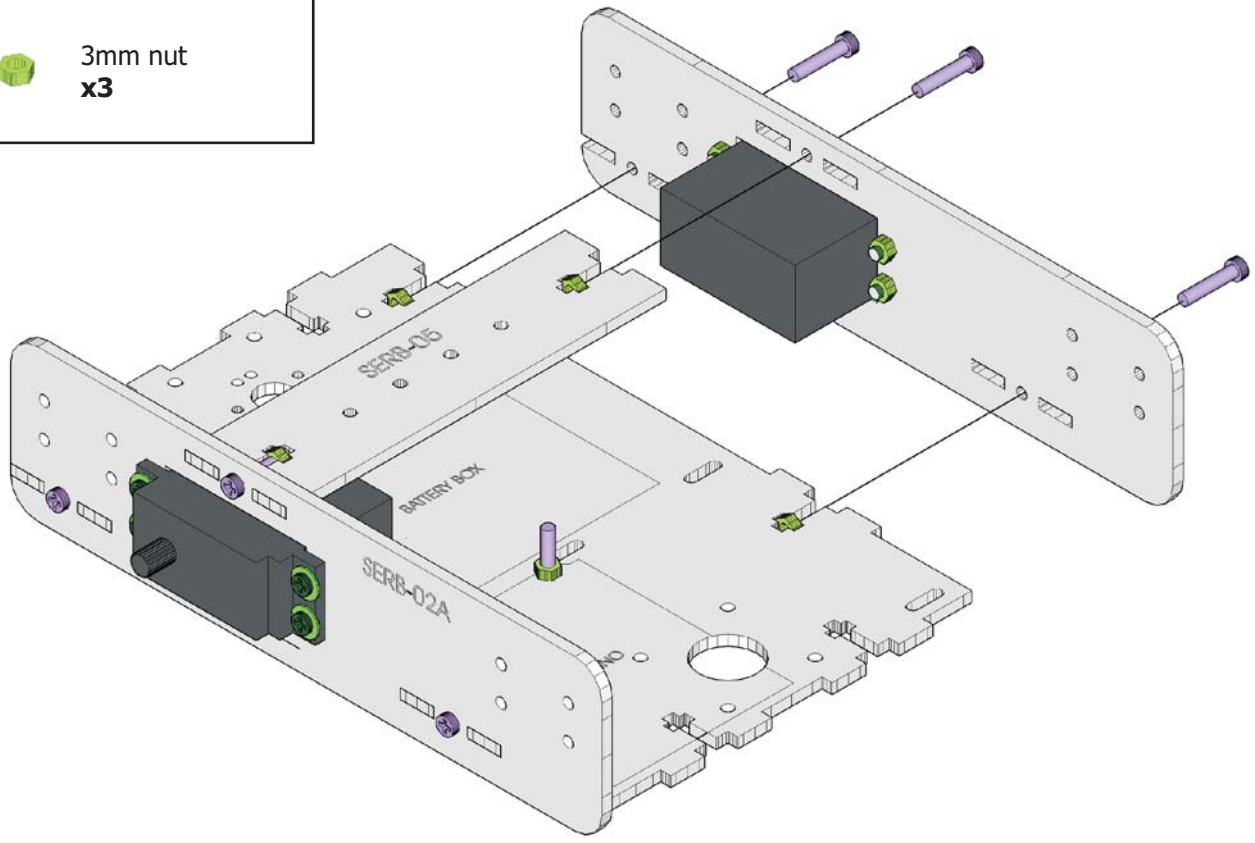
2.

-  3mm x 15mm bolt **x5**
-  3mm nut **x5**
-  SERB-01 base **x1**
-  SERB-05 servo brace **x1**



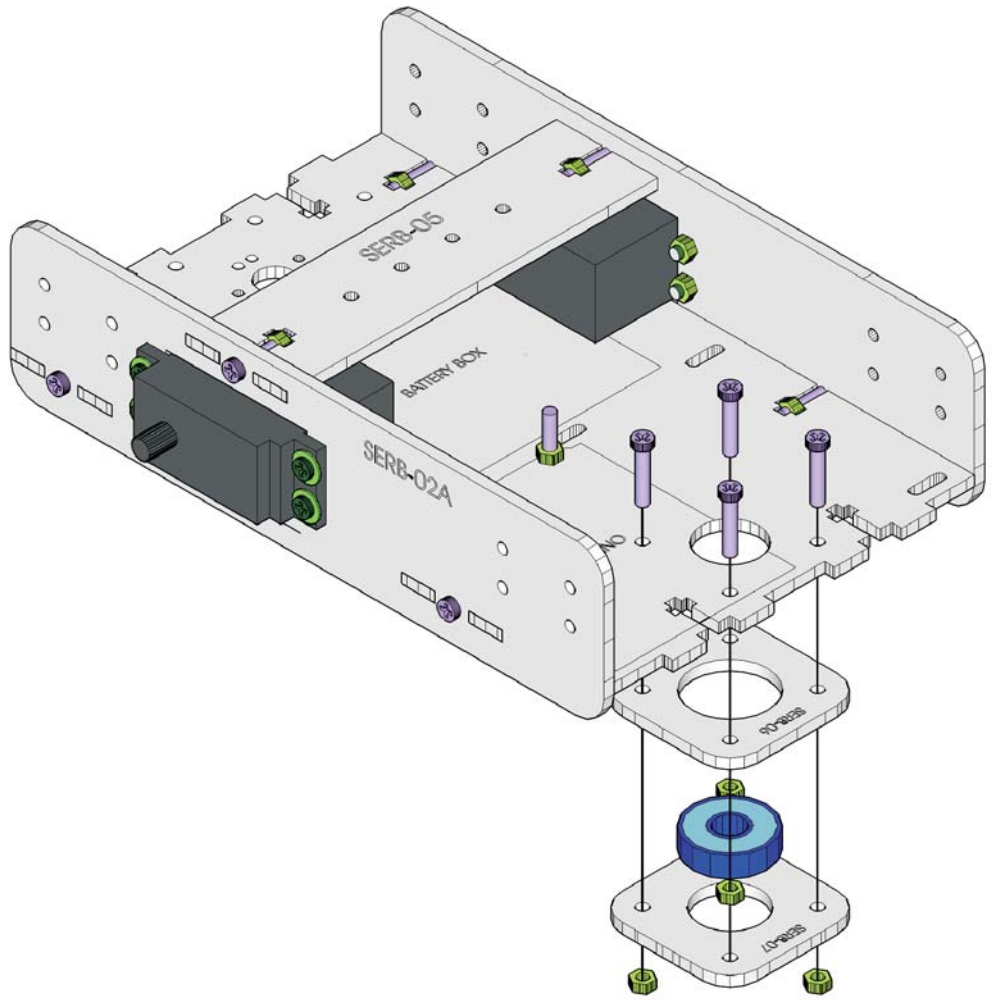
3.

-  3mm x 15mm bolt **x3**
-  3mm nut **x3**

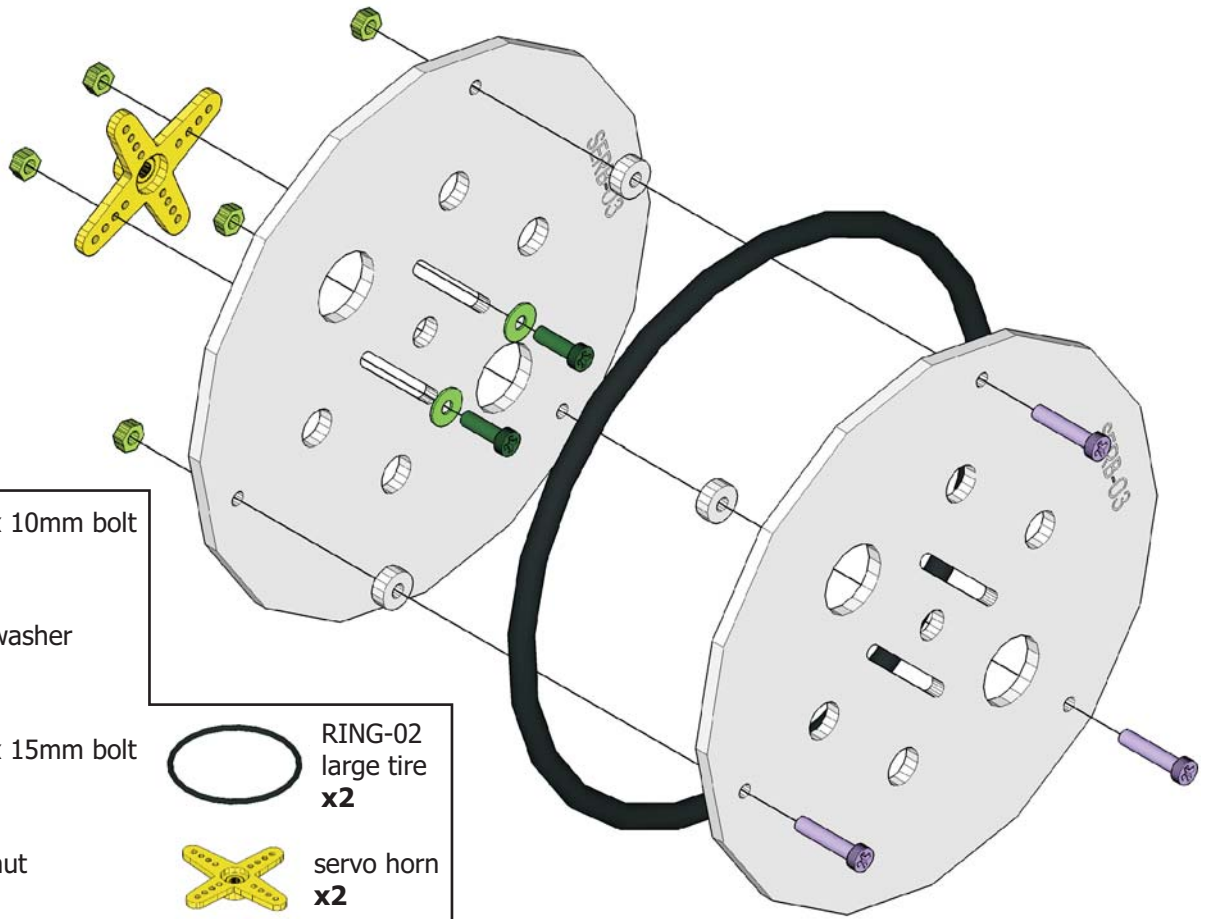









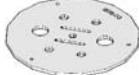
4.

-  3mm x 15mm bolt **x4**
-  3mm nut **x4**
-  BEAR-01 skate bearing **x1**
-  SERB-06 bearing holder **x1**
-  SERB-07 bearing squeezer **x1**




5.

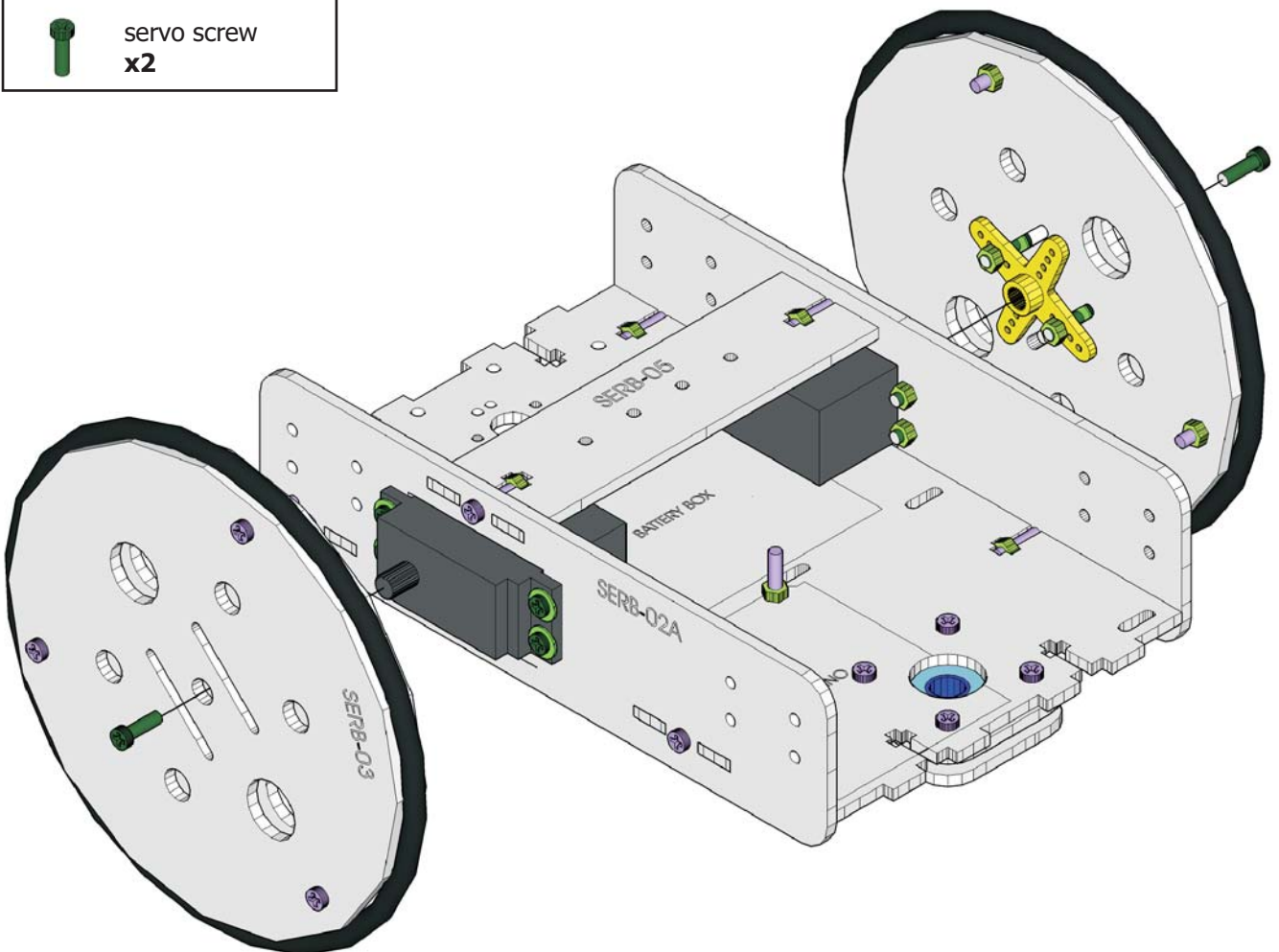


- | | | | |
|--|------------------------------------|--|------------------------------------|
|  | 3mm x 10mm bolt
x4 |  | 3mm washer
x4 |
|  | 3mm x 15mm bolt
x6 |  | RING-02
large tire
x2 |
|  | 3mm nut
x10 |  | servo horn
x2 |
|  | SERB-04
3mm spacer
x6 |  | SERB-03
wheel
x4 |







x2

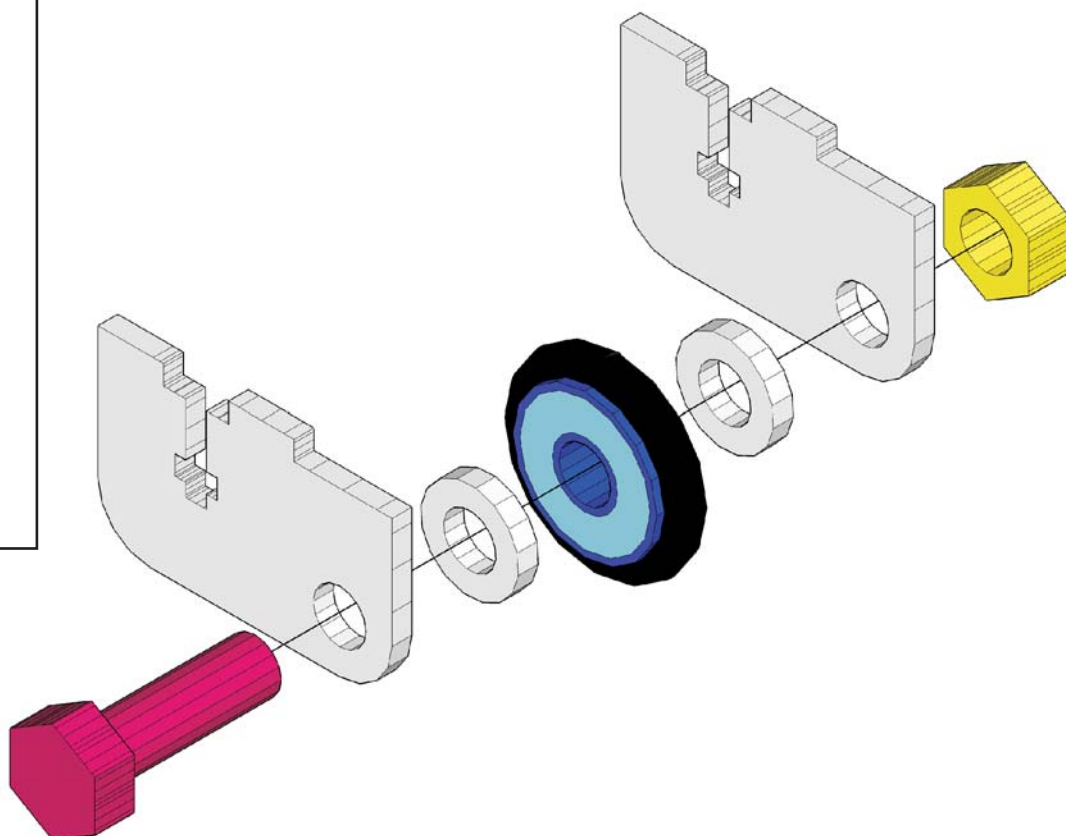
6.

- | | |
|---|--------------------------|
|  | servo screw
x2 |
|---|--------------------------|






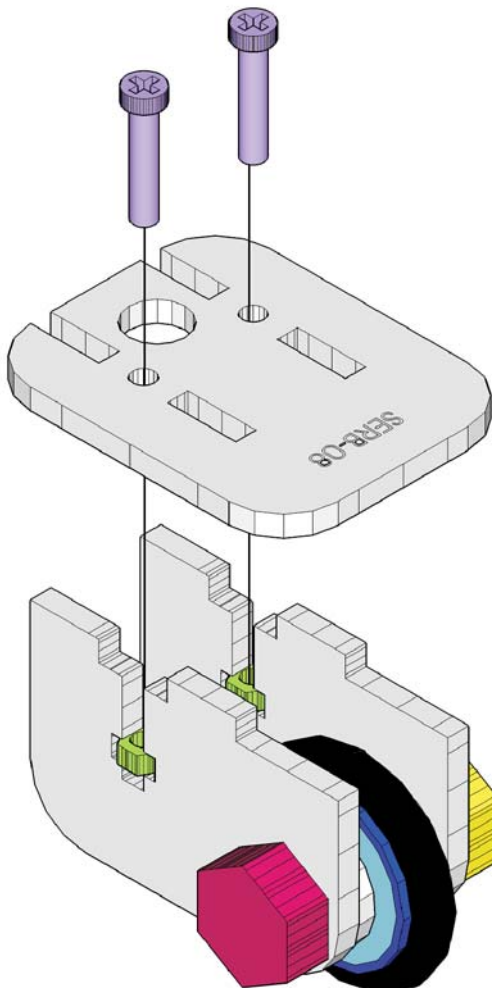
7.

-  8mm x 25mm bolt
x1
-  8mm nut
x1
-  SERB-09
caster side
x2
-  SERB-10
8mm spacer
x2
-  BEAR-01
skate bearing
x1
-  RING-02
small tire
x1



8.

-  3mm x 15mm bolt
x2
-  3mm nut
x2
-  SERB-08
caster top
x1



9.



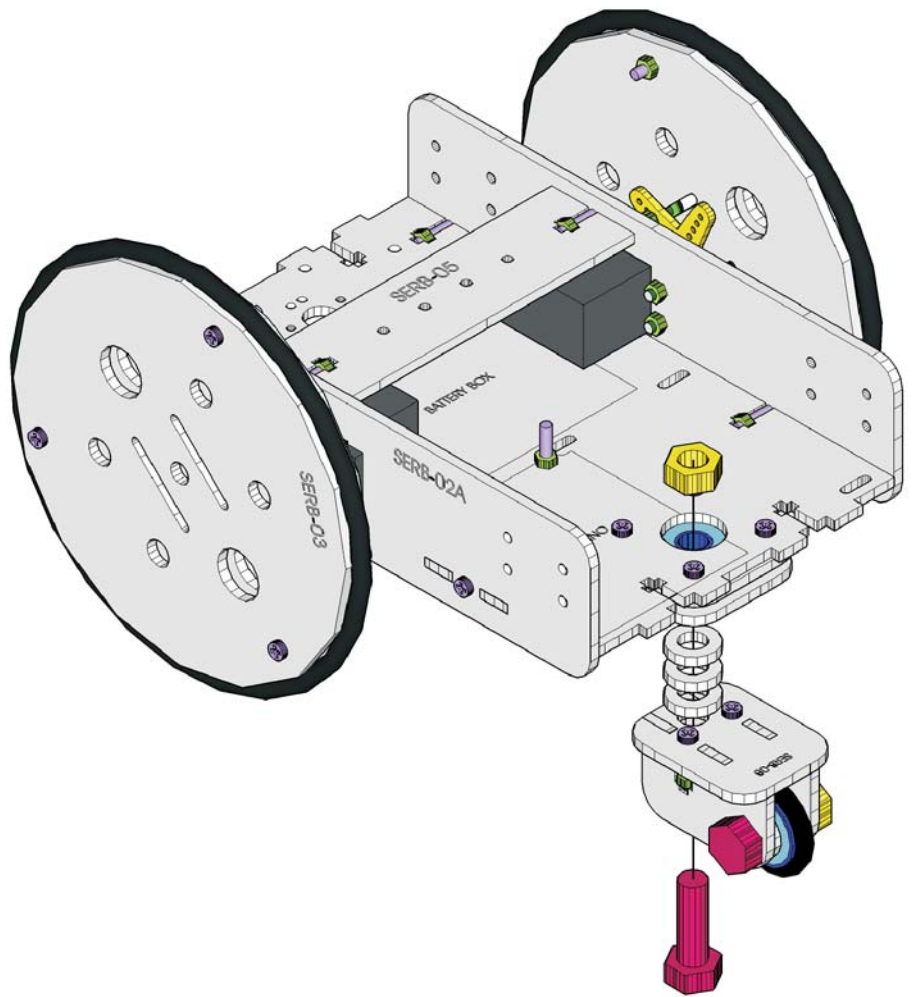
8mm x 25mm bolt
x1



8mm nut
x1



SERB-10
8mm spacer
x3



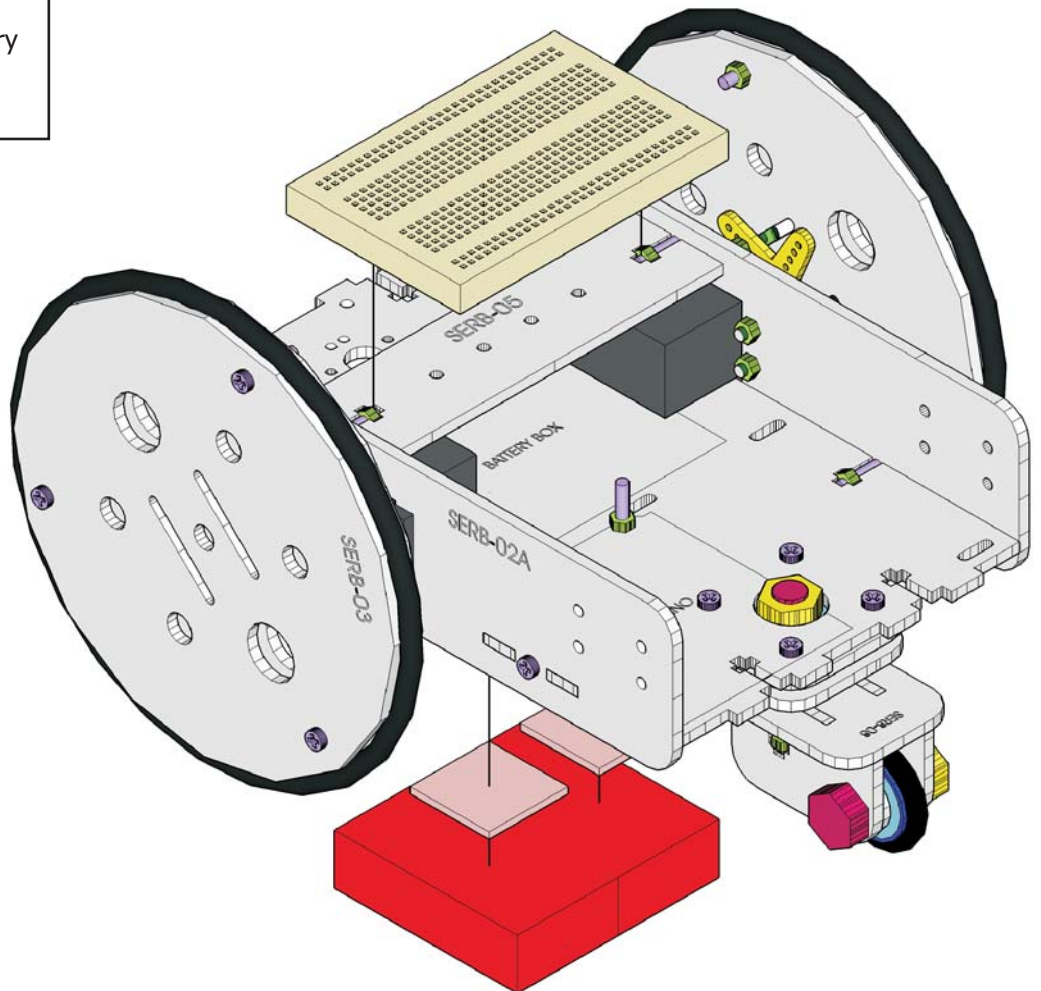
10.






breadboard
x1

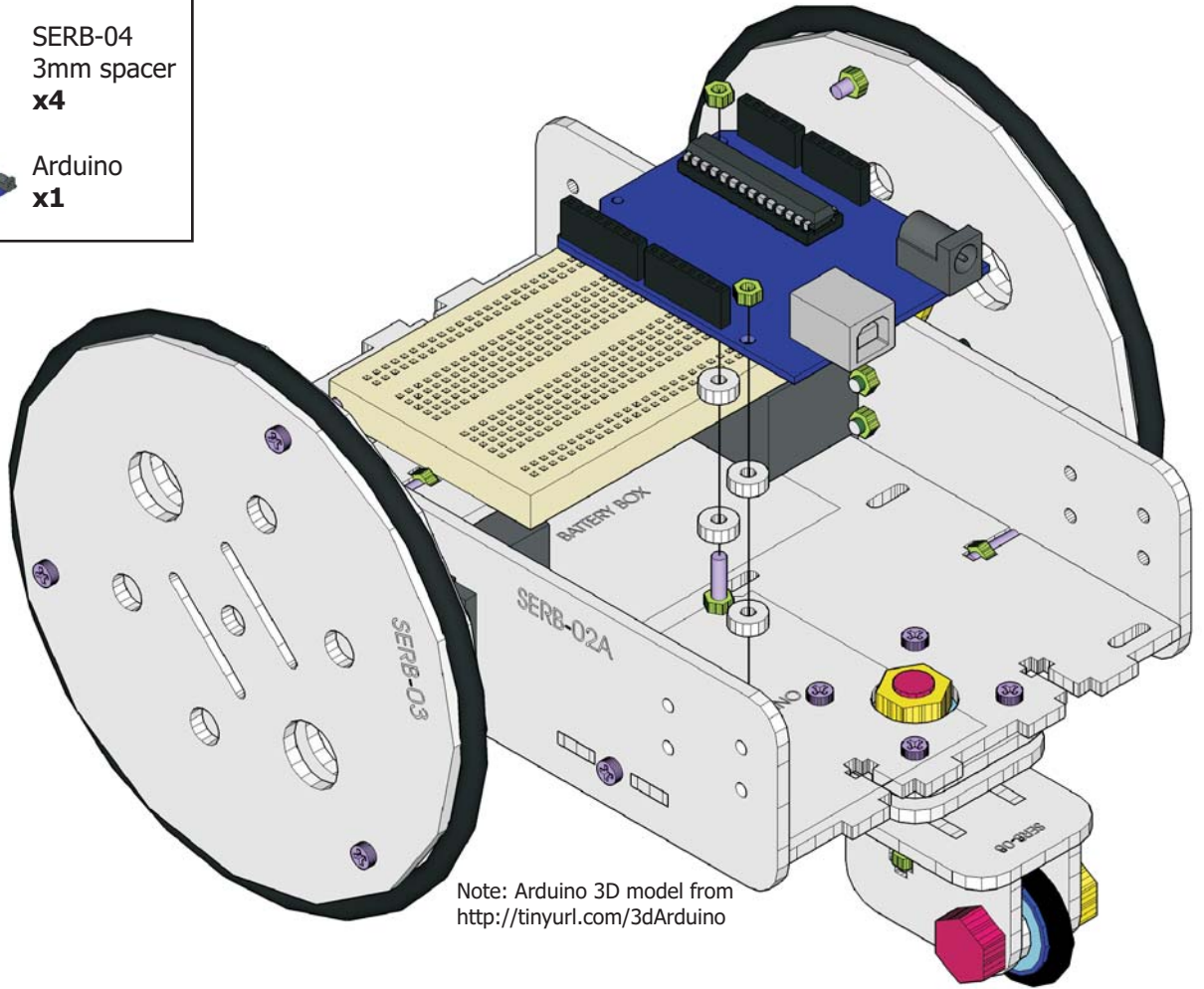


quad AA battery
box
x1

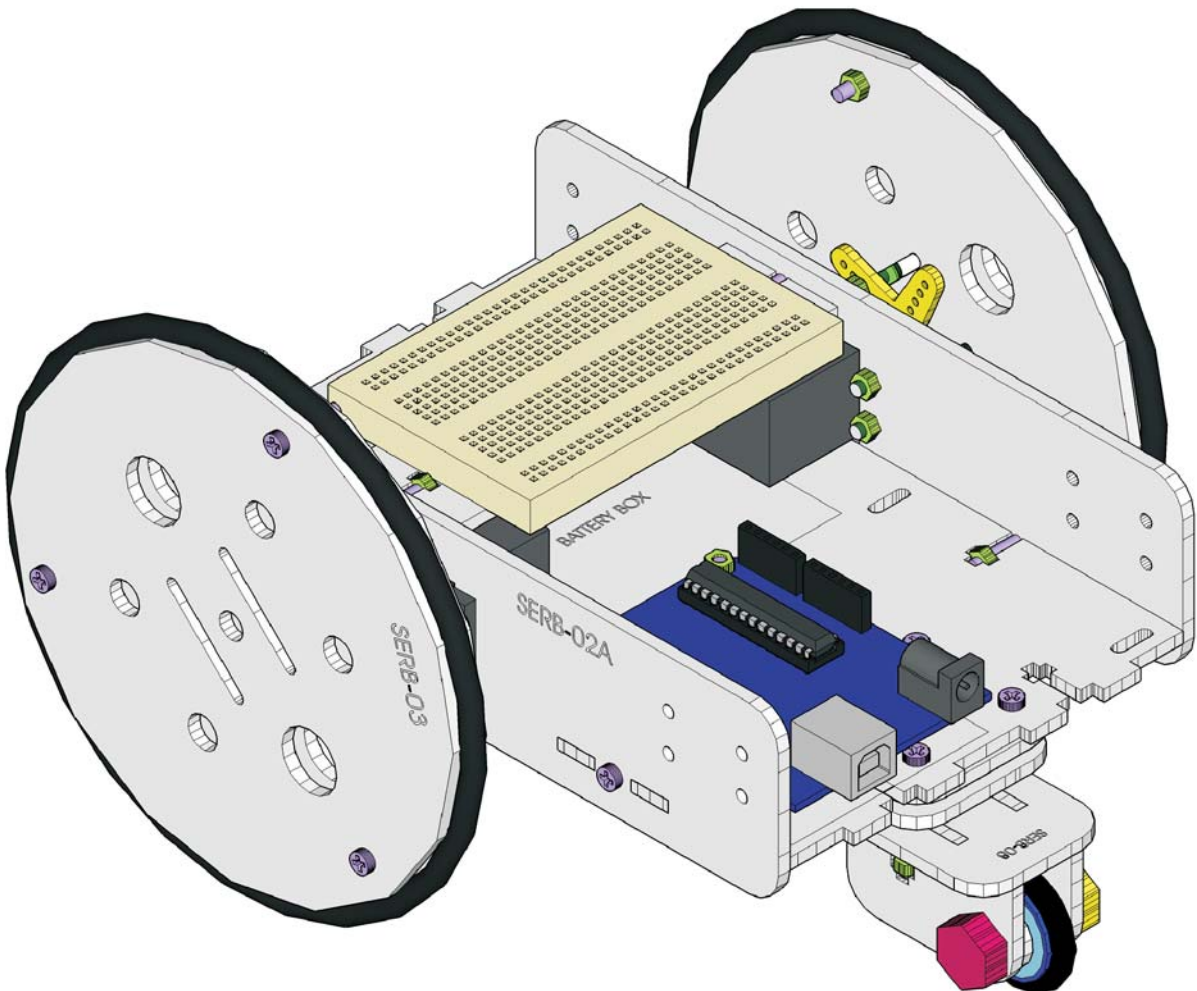


11.

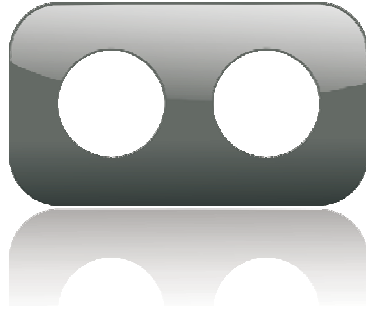
-  3mm nut
x2
-  SERB-04
3mm spacer
x4
-  Arduino
x1



12.



www.oomlout.com



This work is licenced under the Creative Commons Attribution-Share Alike 3.0 Unported License. To view a copy of this licence, visit <http://creativecommons.org/licenses/by-sa/3.0/> or send a letter to Creative Commons, 171 Second Street, Suite 300, San Francisco, California 94105, USA.