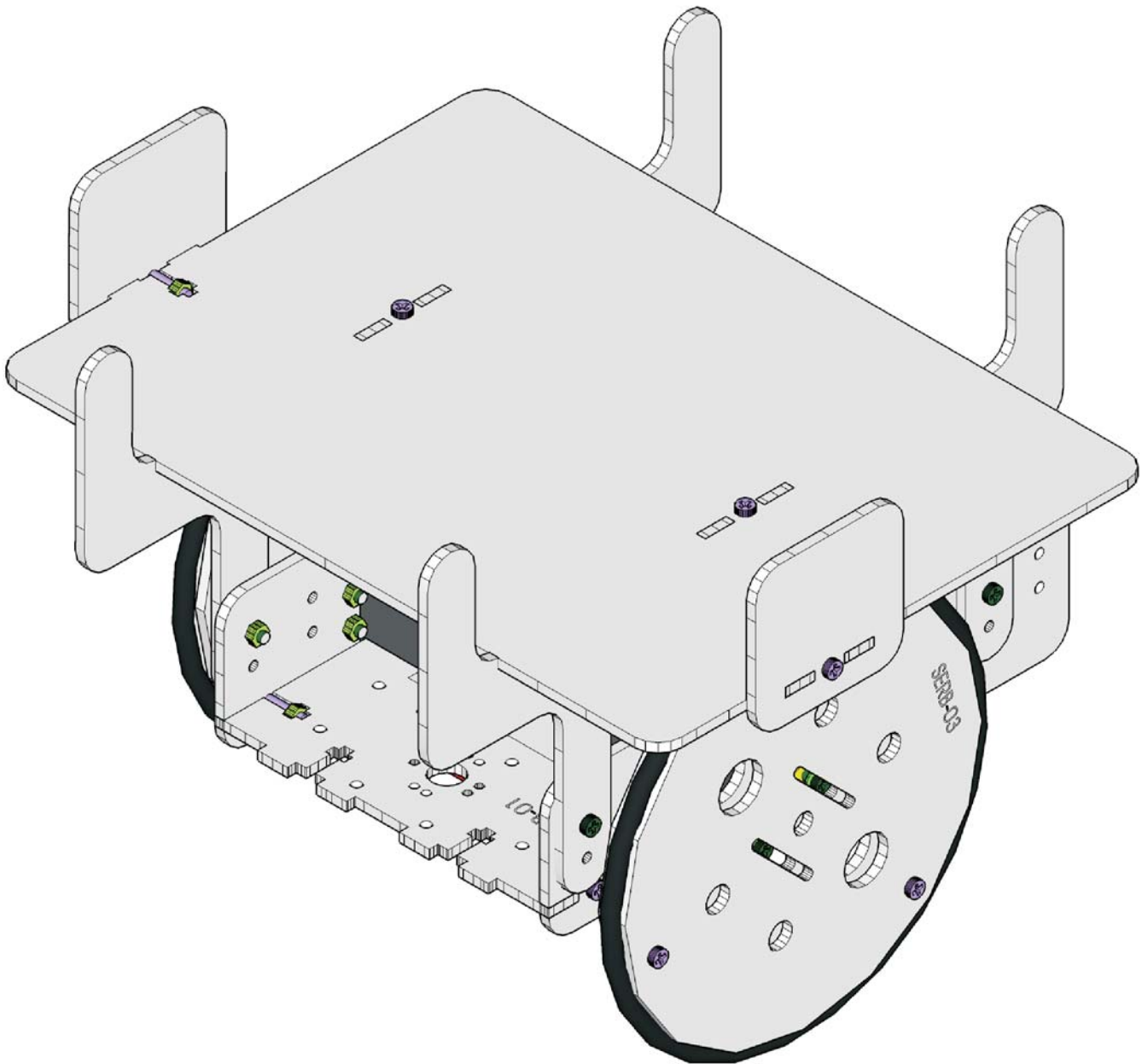
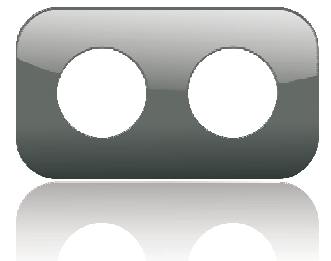


Arduino Controlled Web Connected Robot Assembly Guide



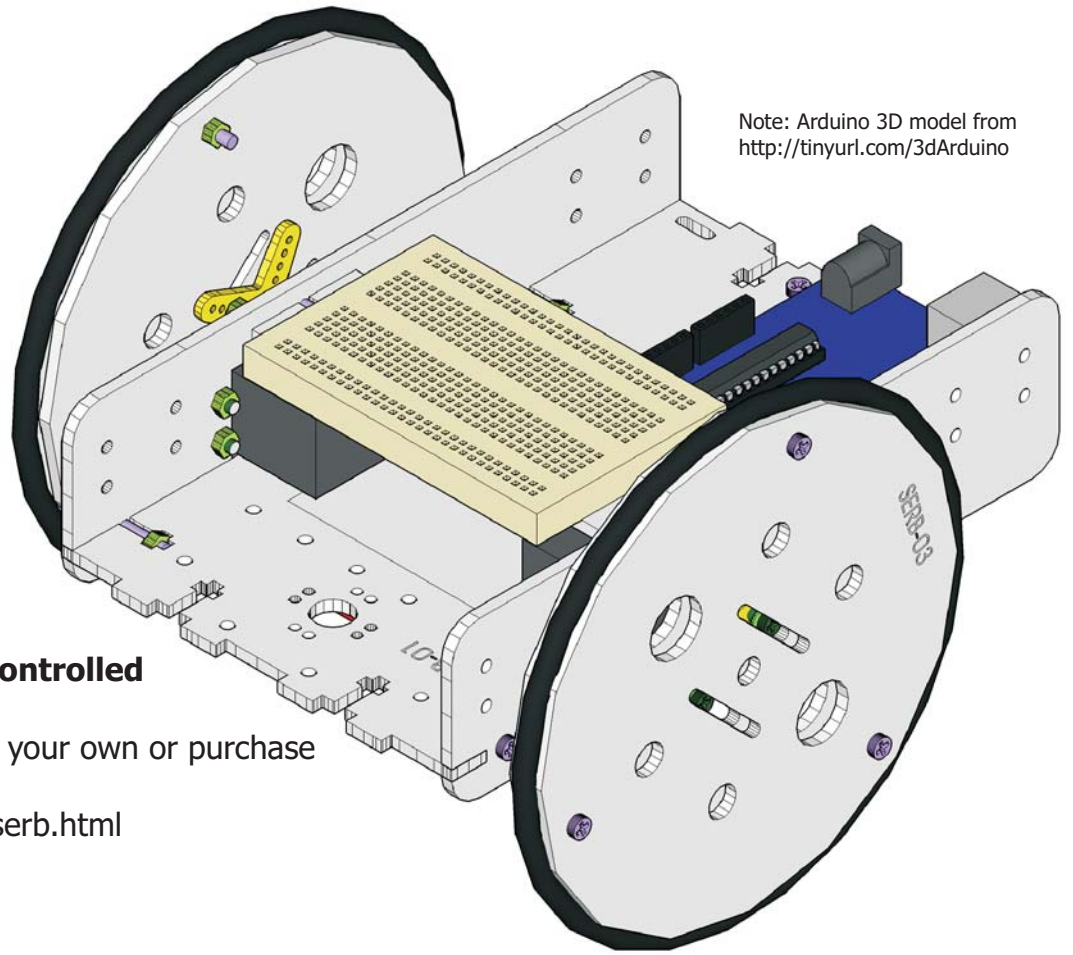
(WEBB)

www.oomlout.com



1.

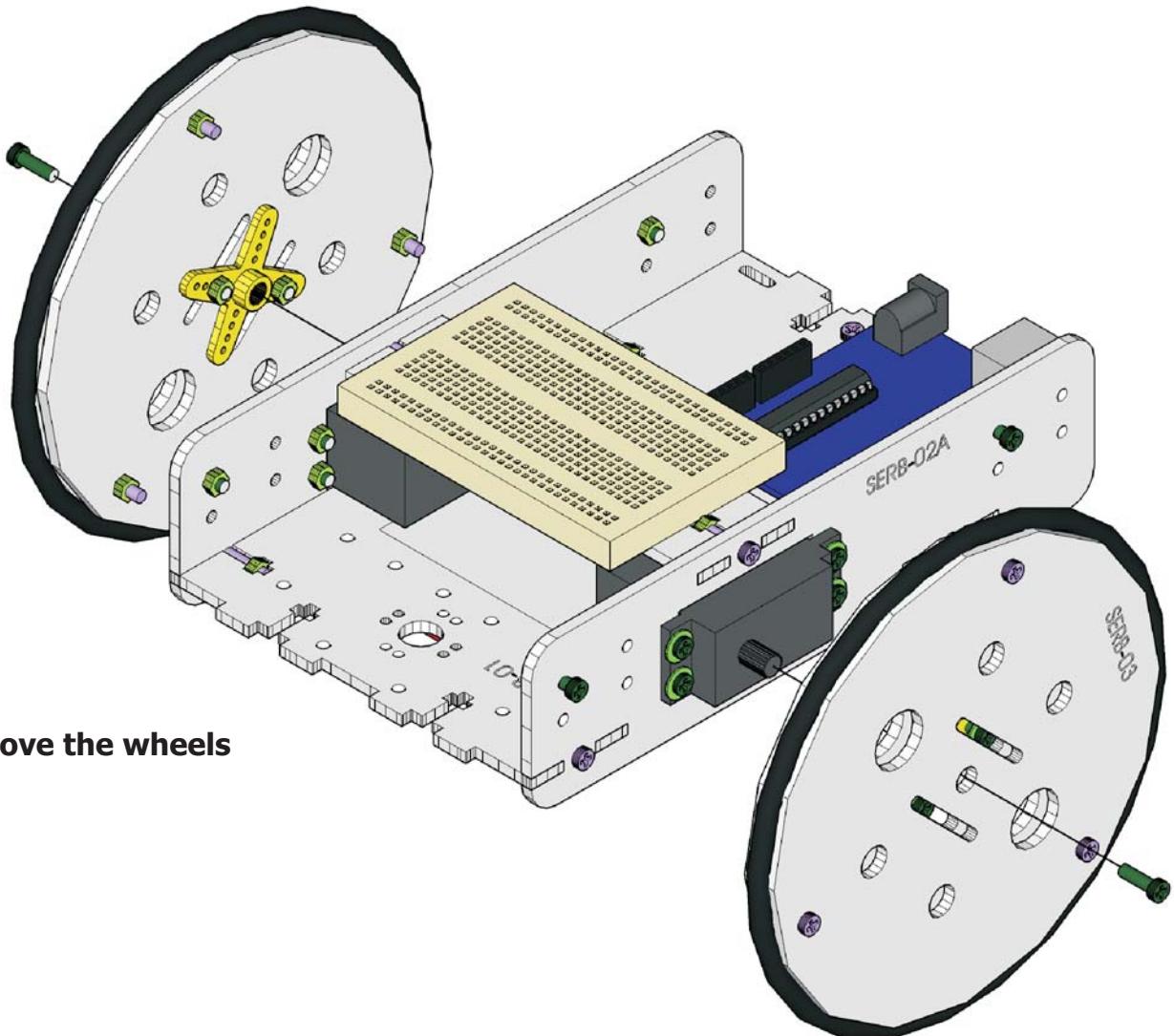
Note: Arduino 3D model from <http://tinyurl.com/3dArduino>



Start with an Arduino Controlled Servo Robot - (SERB)

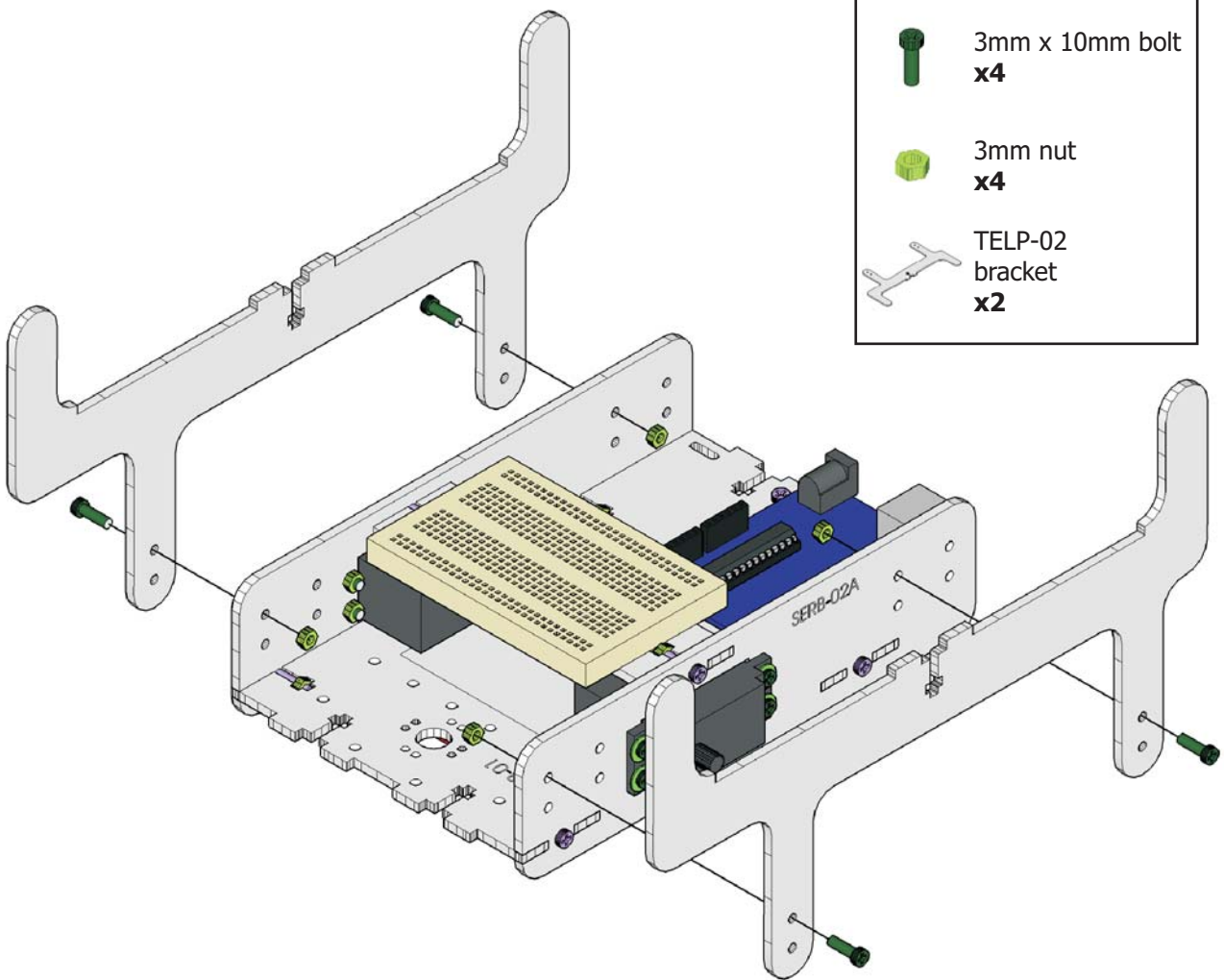
For details on how to build your own or purchase a kit visit:
<http://www.oomlout.com/serb.html>




2.






Remove the wheels

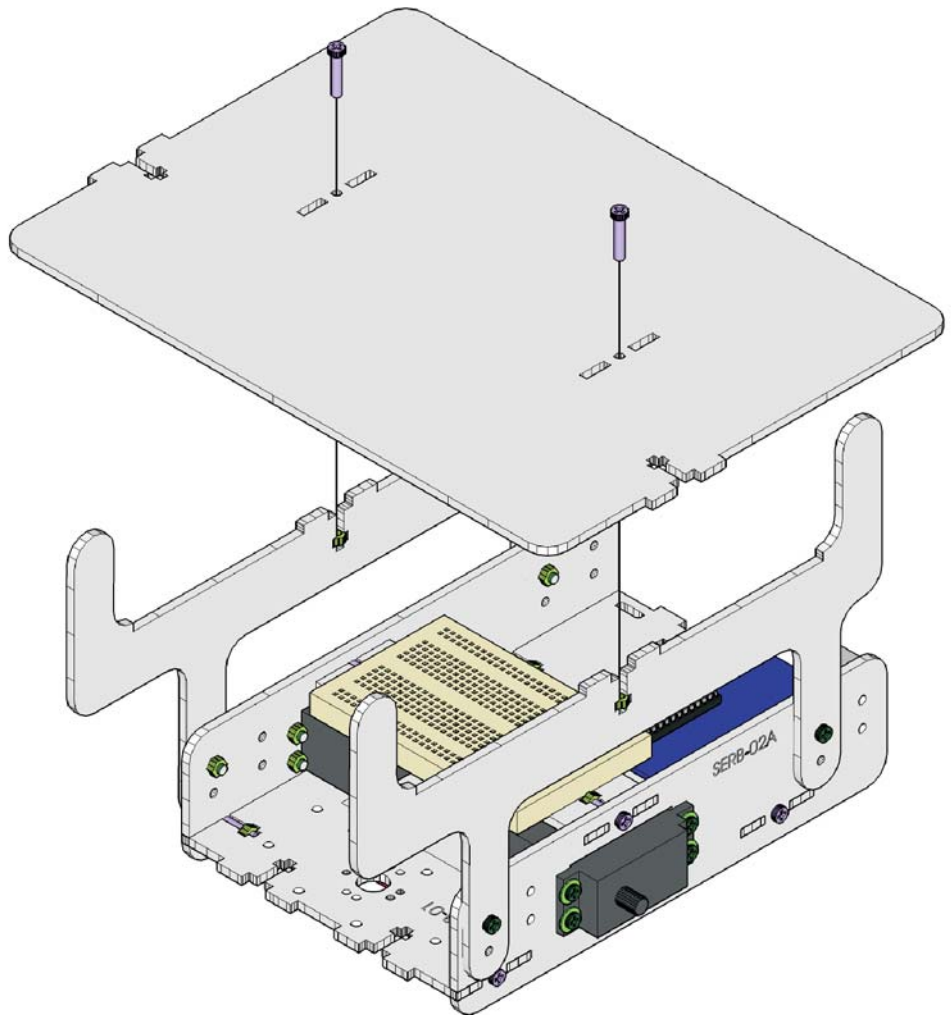
3.



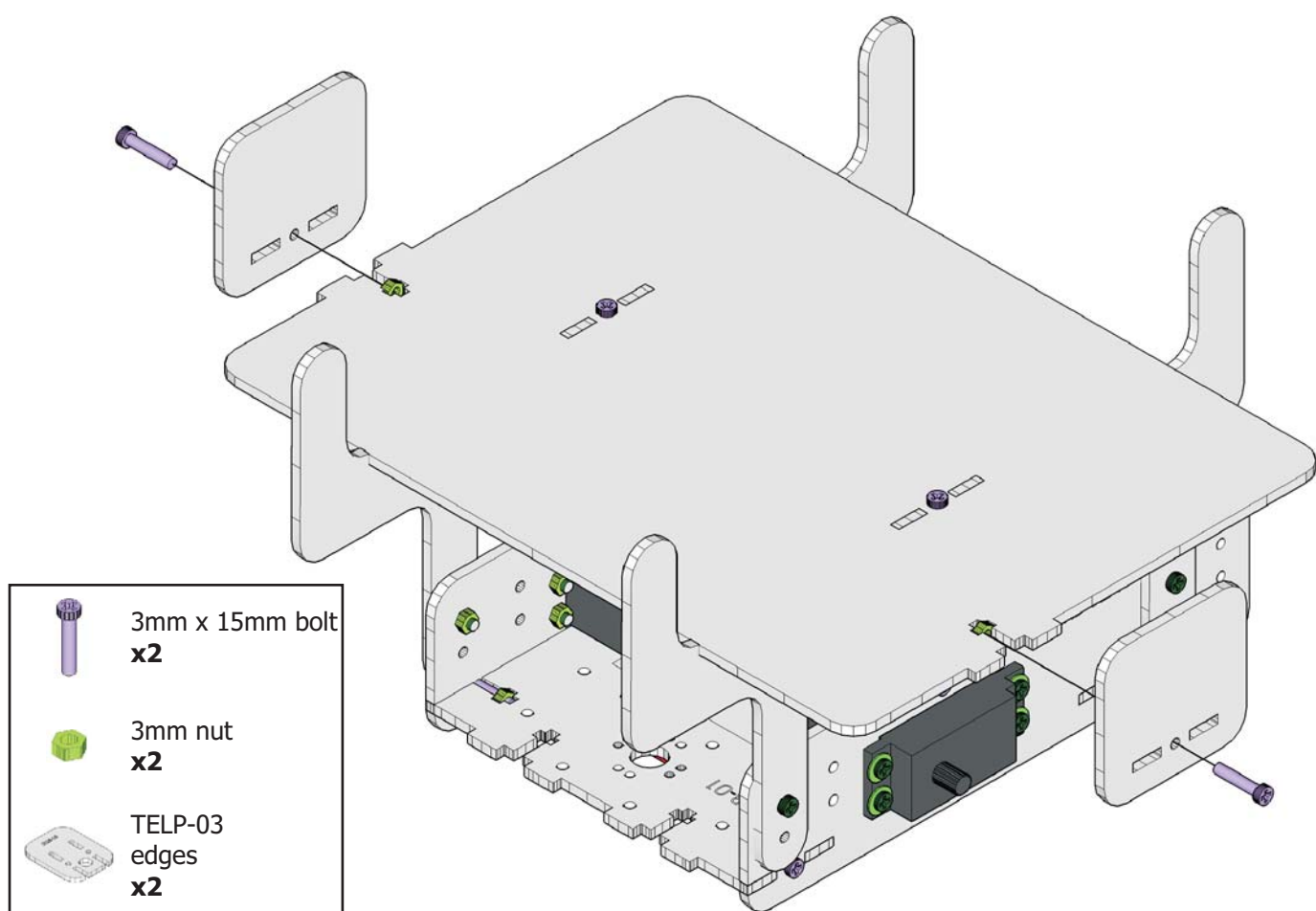
-  3mm x 10mm bolt
x4
-  3mm nut
x4
-  TELP-02
bracket
x2

4.

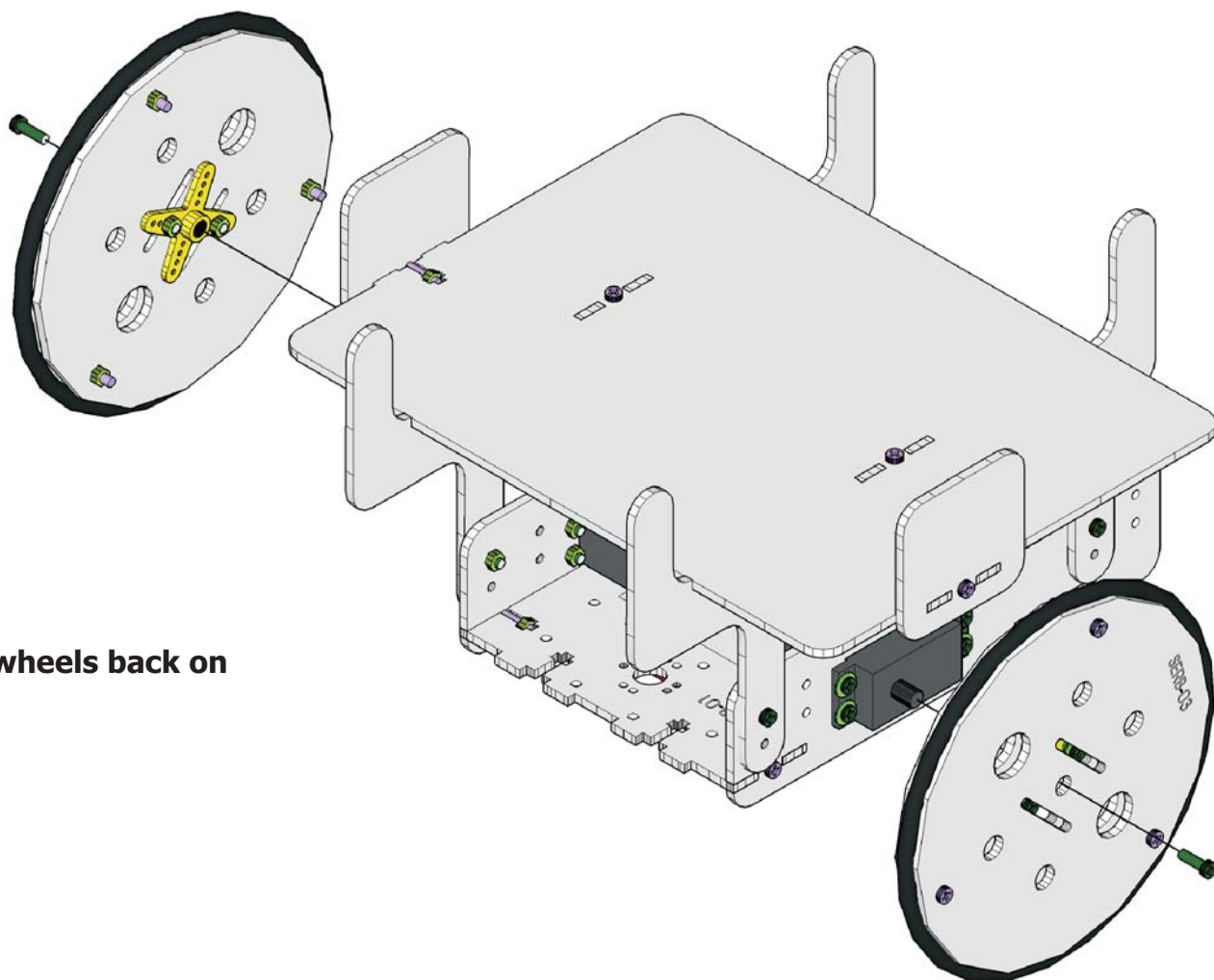
-  3mm x 15mm bolt
x2
-  3mm nut
x2
-  TELP-01
desktop
x1



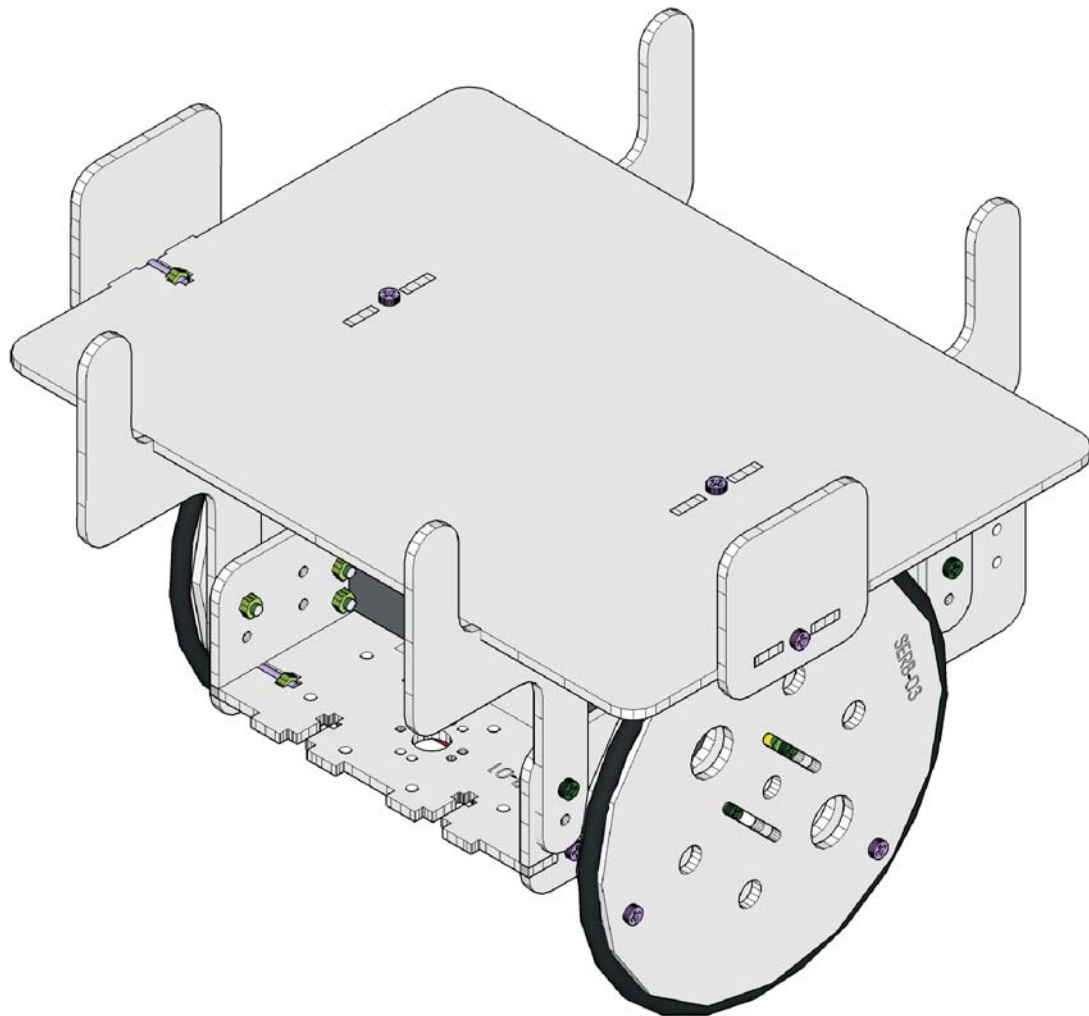
5.



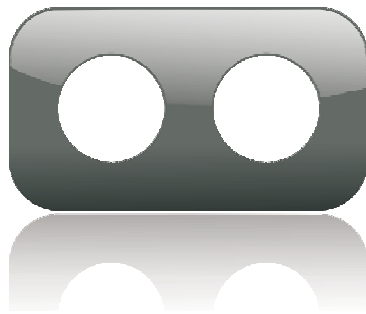
6.



7.



www.oomlout.com



This work is licenced under the Creative Commons Attribution-Share Alike 3.0 Unported License. To view a copy of this licence, visit <http://creativecommons.org/licenses/by-sa/3.0/> or send a letter to Creative Commons, 171 Second Street, Suite 300, San Francisco, California 94105, USA.