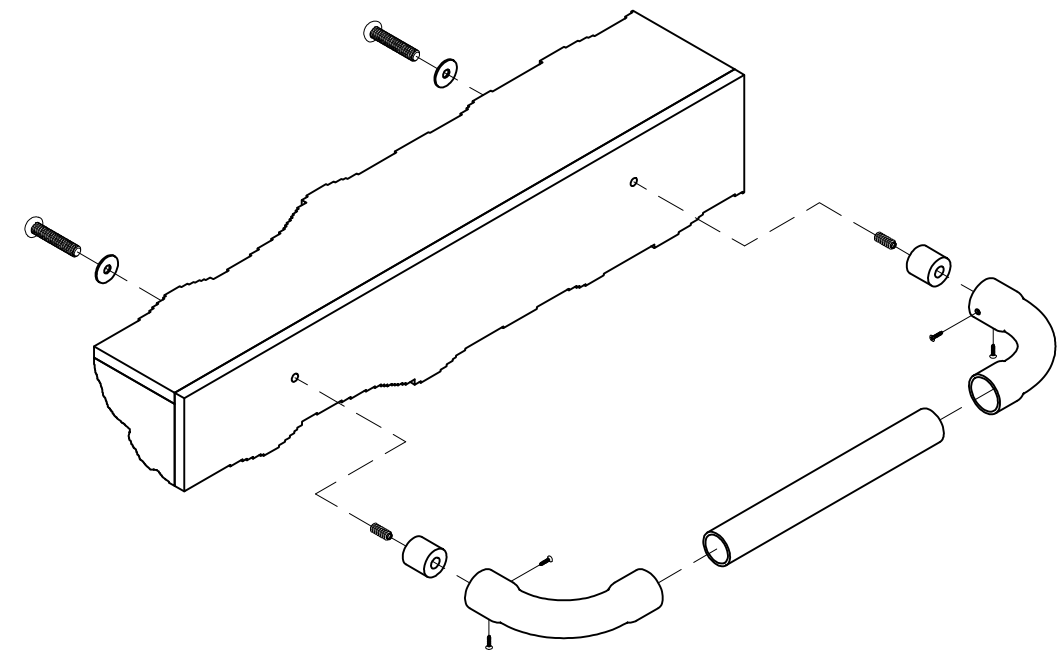


HANDLE MOUNTING DETAIL 2:1



HANDLE ASSEMBLY N.T.S.

			DRAWING:	<b>HANDLE MOUNTING DETAIL</b>		DRAWN	T.S.	DATE	19.1.2015
DATE	REVISION	BY				DESIGNED	T.S.	SCALE	2:1
PROJECT:			Thingiverse: Tez_Gelmir HACK A DAY: Tez_Gelmir		twitter: @Tez_Gelmir instructables: Tez_Gelmir		JOB No.		14013
<b>PORTABLE LEGO CREATION STATION</b>							DWG No.		04