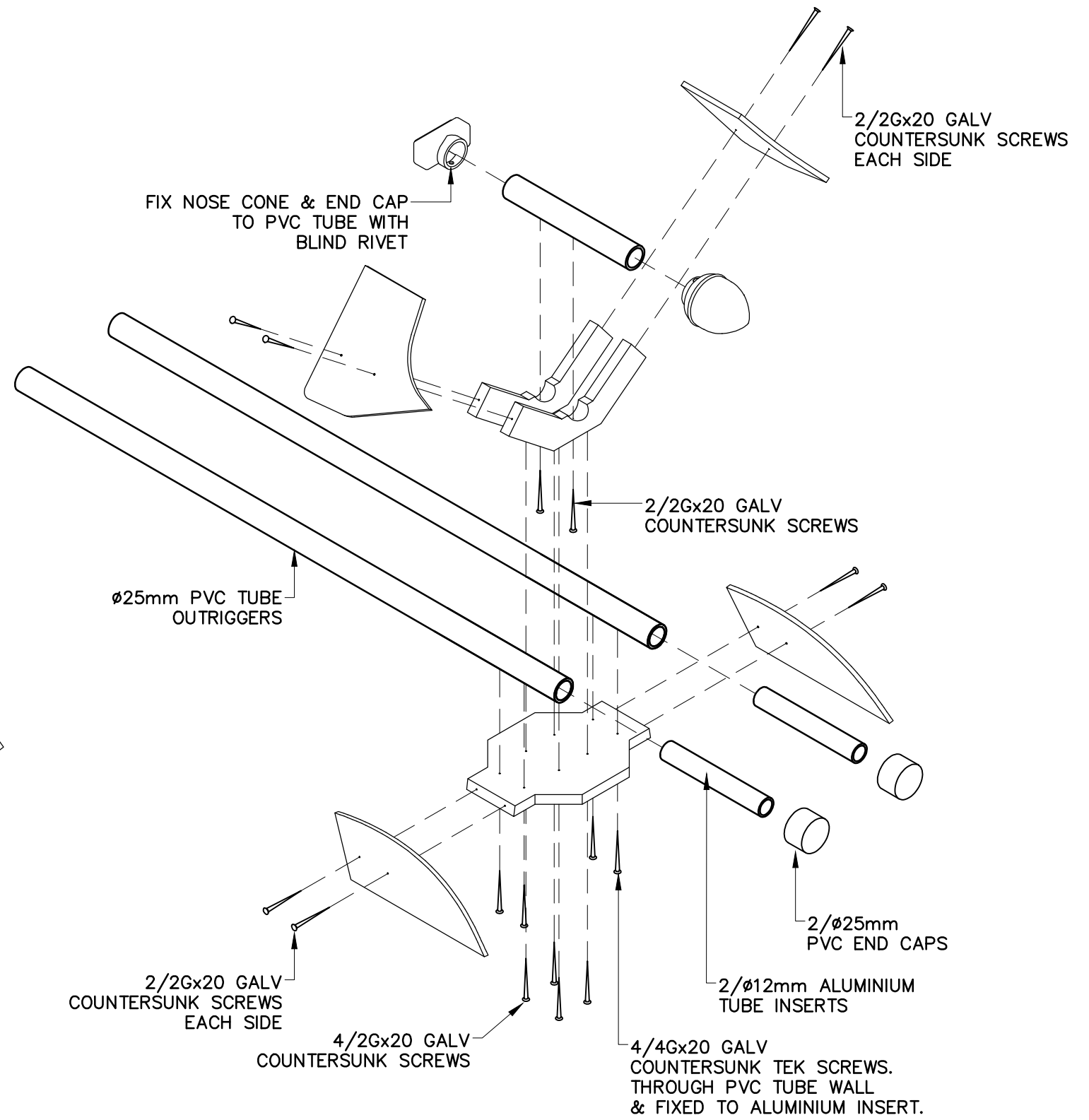


**ISOMETRIC VIEW** 1:2



**EXPLODED VIEW** N.T.S

DRAWING: <b>OUTRIGGER STEERING VANE ASSEMBLY</b>			DRAWN: T.S.	DATE: 11.7.2015
DATE	REVISION	BY	DESIGN: T.S.	SCALE: 1:2
PROJECT: <b>SPEEDER BIKE ROCKER</b>			JOB No. <b>14016</b>	DWG No. <b>06</b>
Thingiverse : Tez_Gelmir Instructables : Tez_Gelmir		twitter : Tez_Gelmir HACKADAY : Tez_Gelmir		