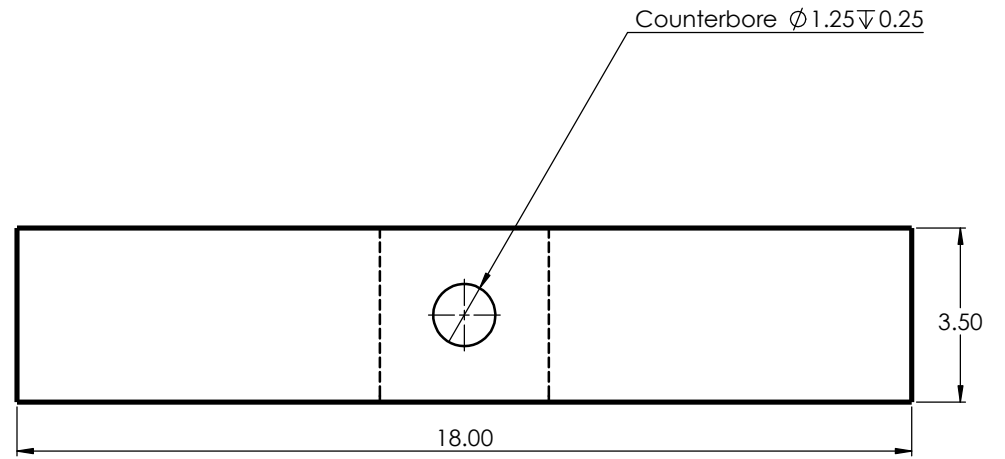
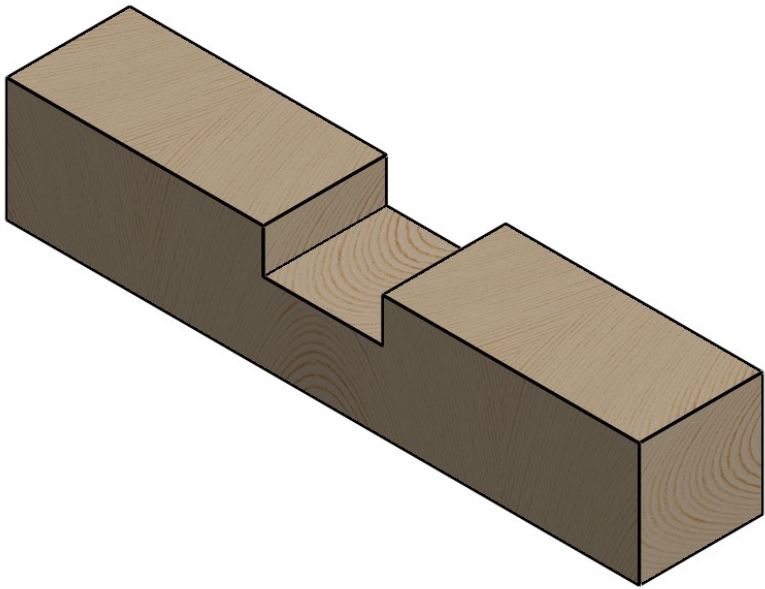
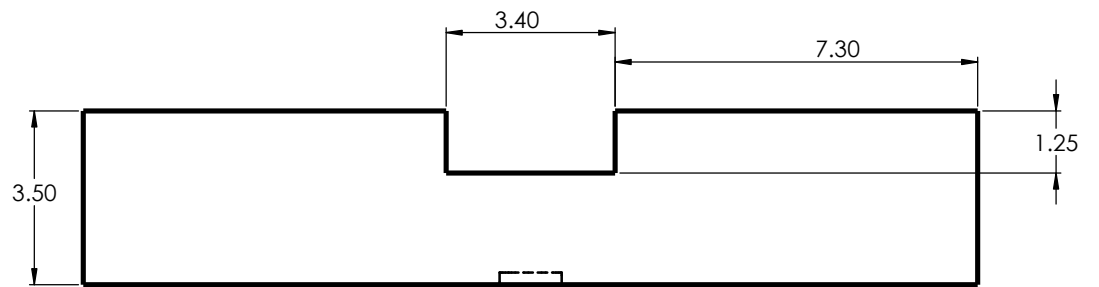


**Part #2 (4'x4'x18")**



**BOTTOM VIEW**



**FRONT VIEW**