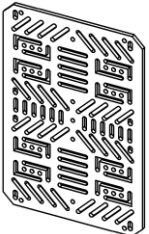
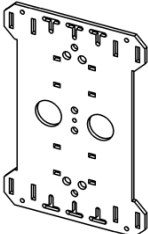
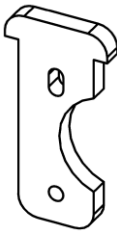
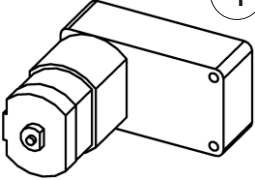

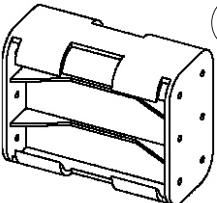
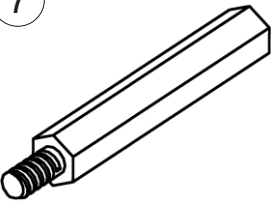
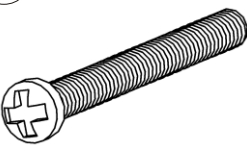

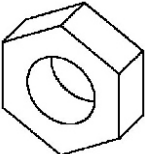
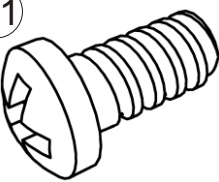
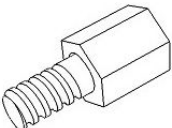



4WD chassis

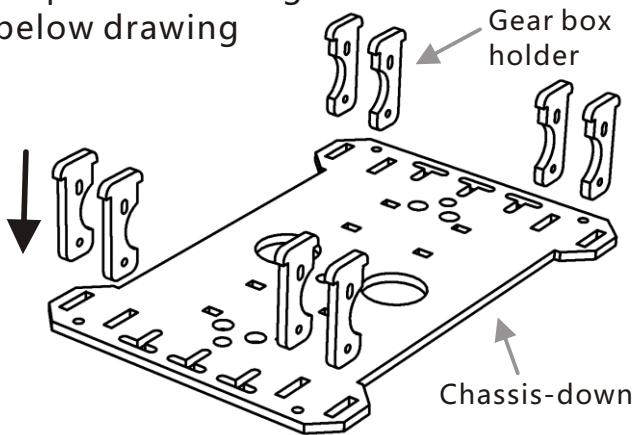
DG008

Part list:

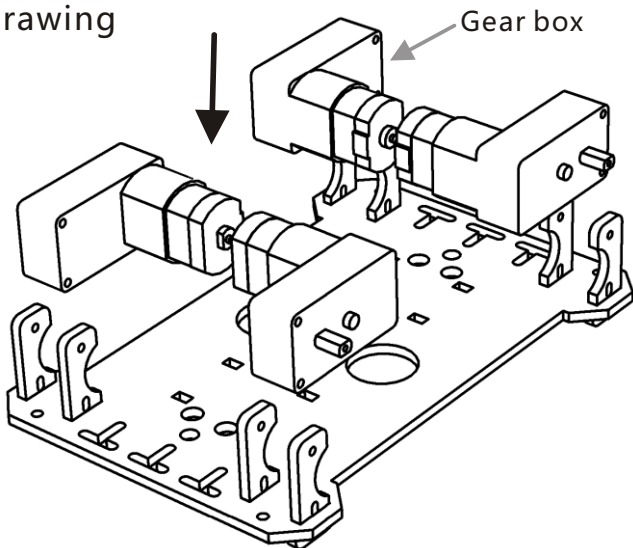
 <p>1</p>	 <p>2</p>	 <p>3</p>	 <p>4</p>	 <p>5</p>
Chassis-up 1pc	Chassis-down 1pc	Gearbox holder 8pcs	Gearbox 4pcs	Wheel 4pcs
 <p>6</p>	 <p>7</p>	 <p>8</p>	 <p>9</p>	 <p>10</p>
4XAA battery holder 1pc	L30 spacer 4pcs	M2.5*25 screw 8pcs	M2.5 nut 8pcs	M3 nut 8pcs (4pcs spare part)
 <p>11</p>	 <p>12</p>	 <p>13</p>		
M3*6 screw 8pcs (4pcs spare part)	M3*6 spacer 4pcs (spare part)	Battery holder tierap 2pcs		

Assembly instruction:

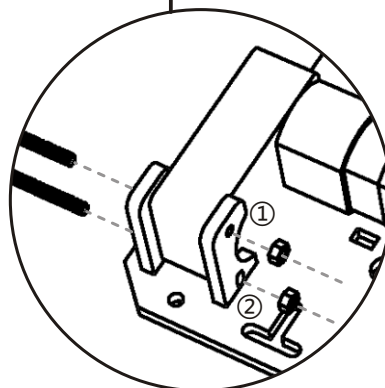
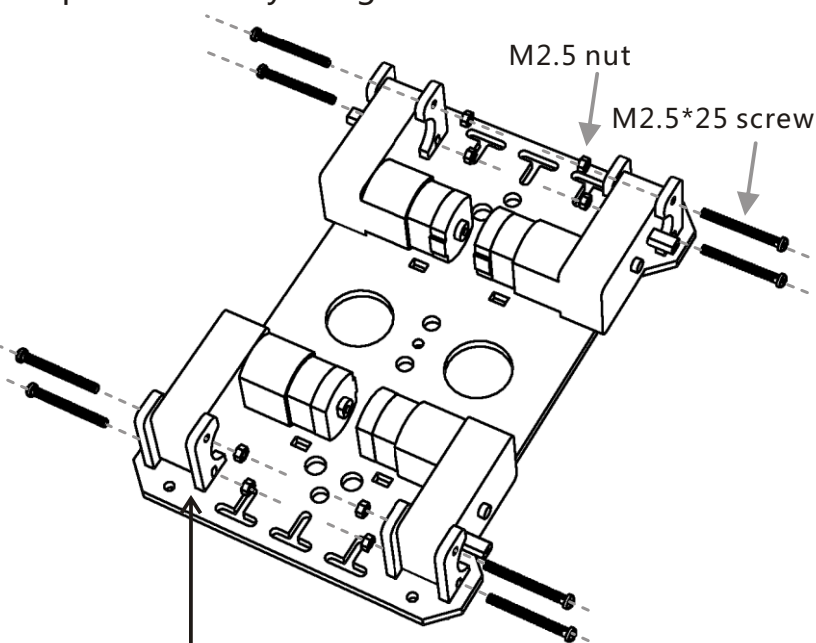
Step 1: insert the gearbox holders as below drawing



Step 2: place the gearbox as below drawing



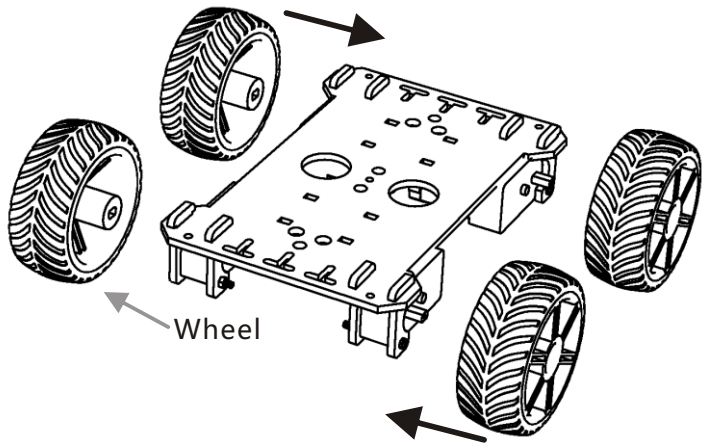
Step 3: assembly the gearbox



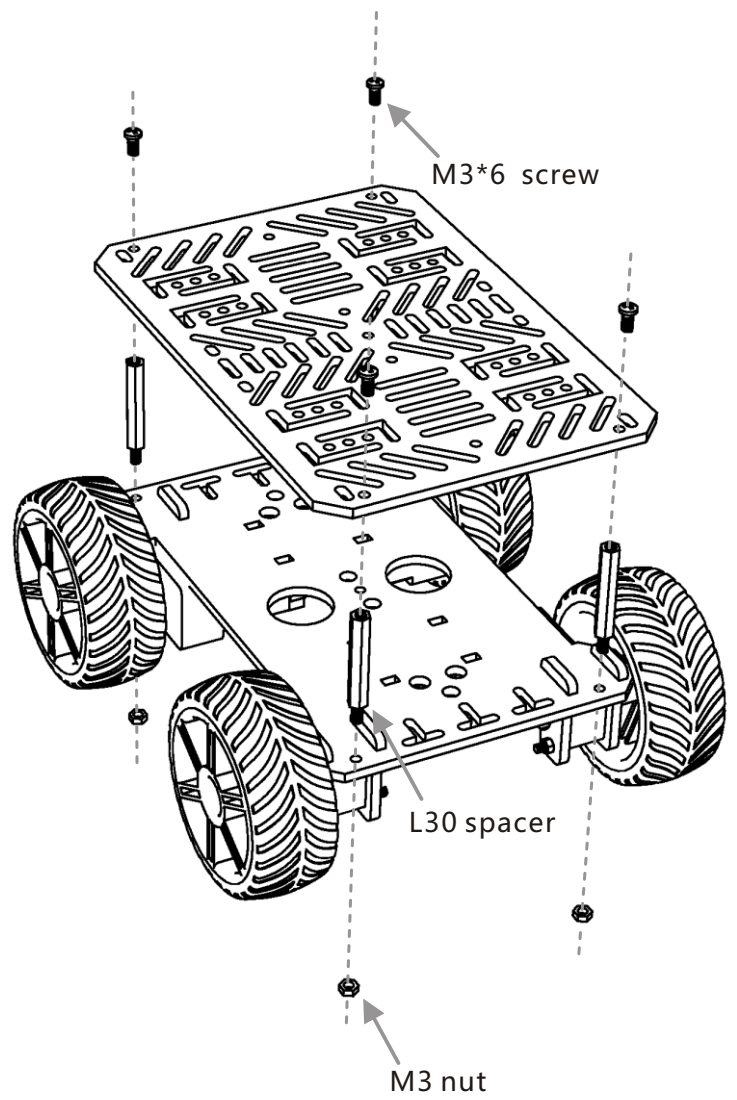
Firstly fix the upper screw holes (position 1)

Then fix the down screw holes (position 2)

Step 4: assembly the wheel



Step 5: Assembly the chassis-up



Step 6: put the battery holder in place

