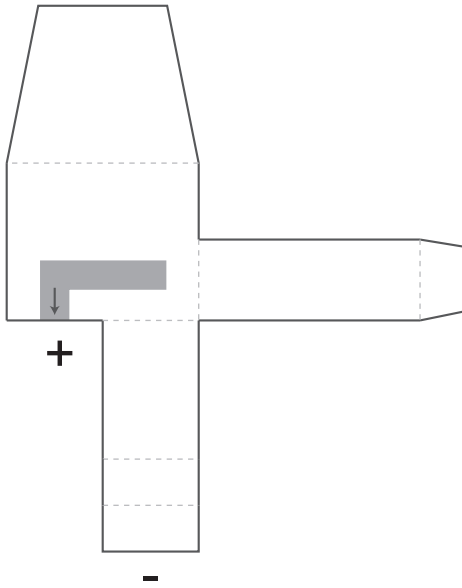
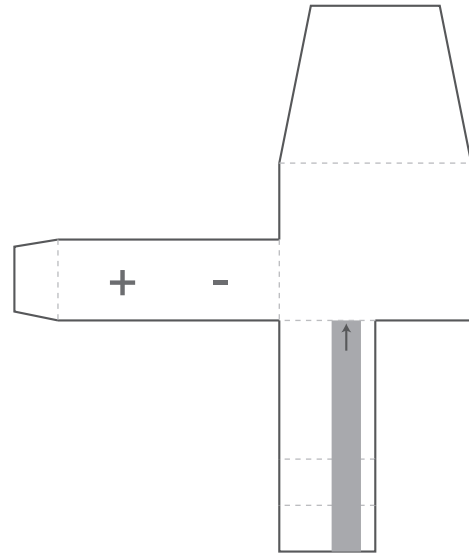


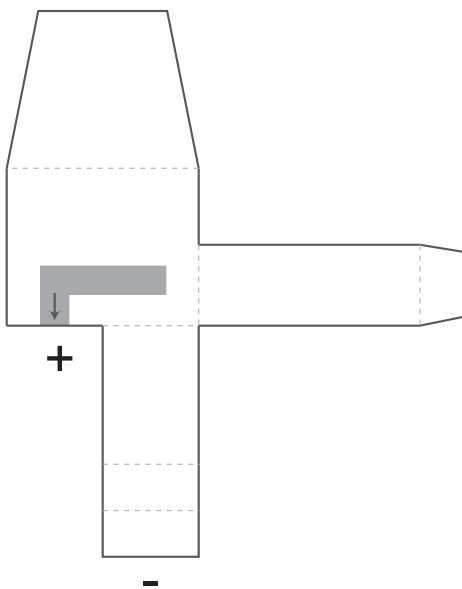
# Paper battery holder template



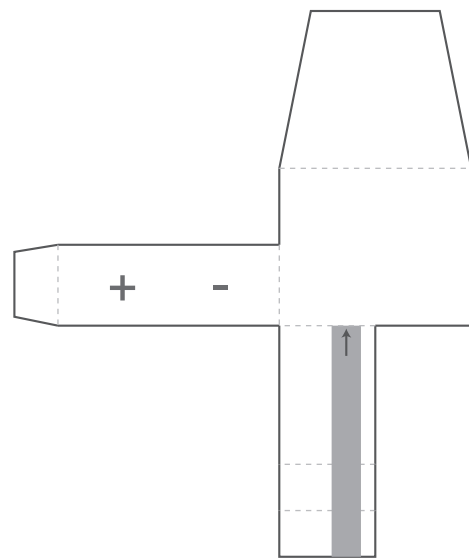
(front view)



(back view)

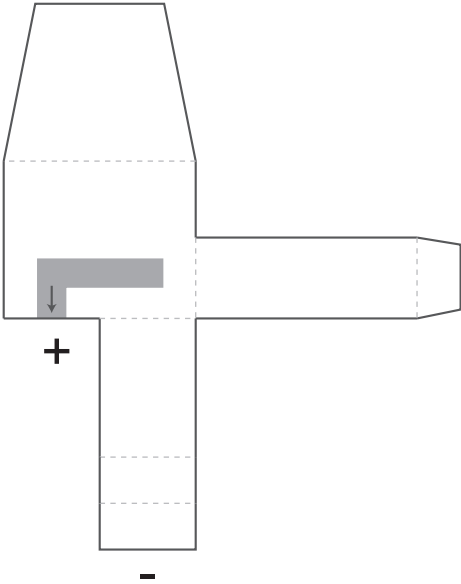


(front view)

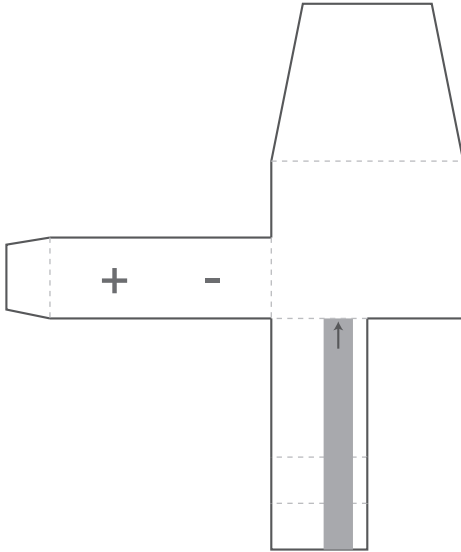


(back view)

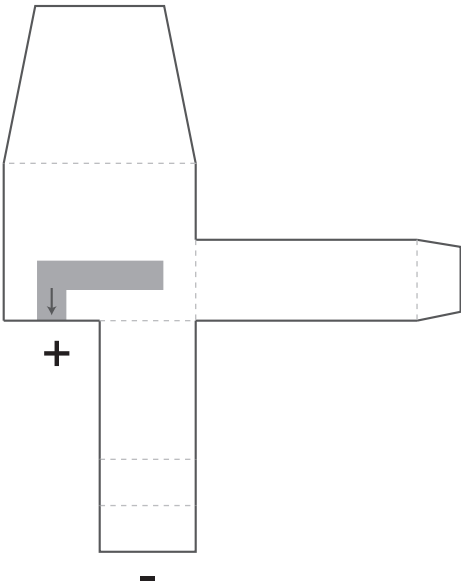
Paper battery holder template



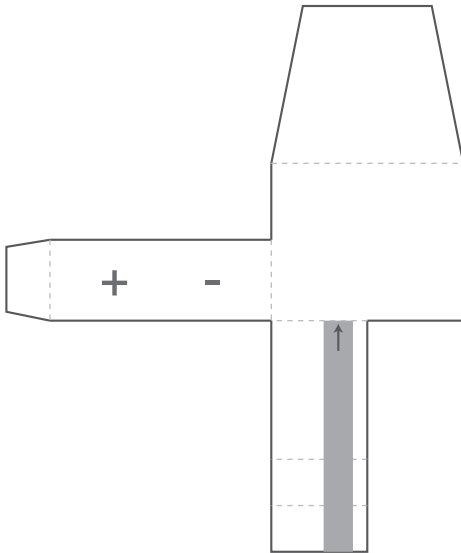
(front view)



(back view)



(front view)



(back view)