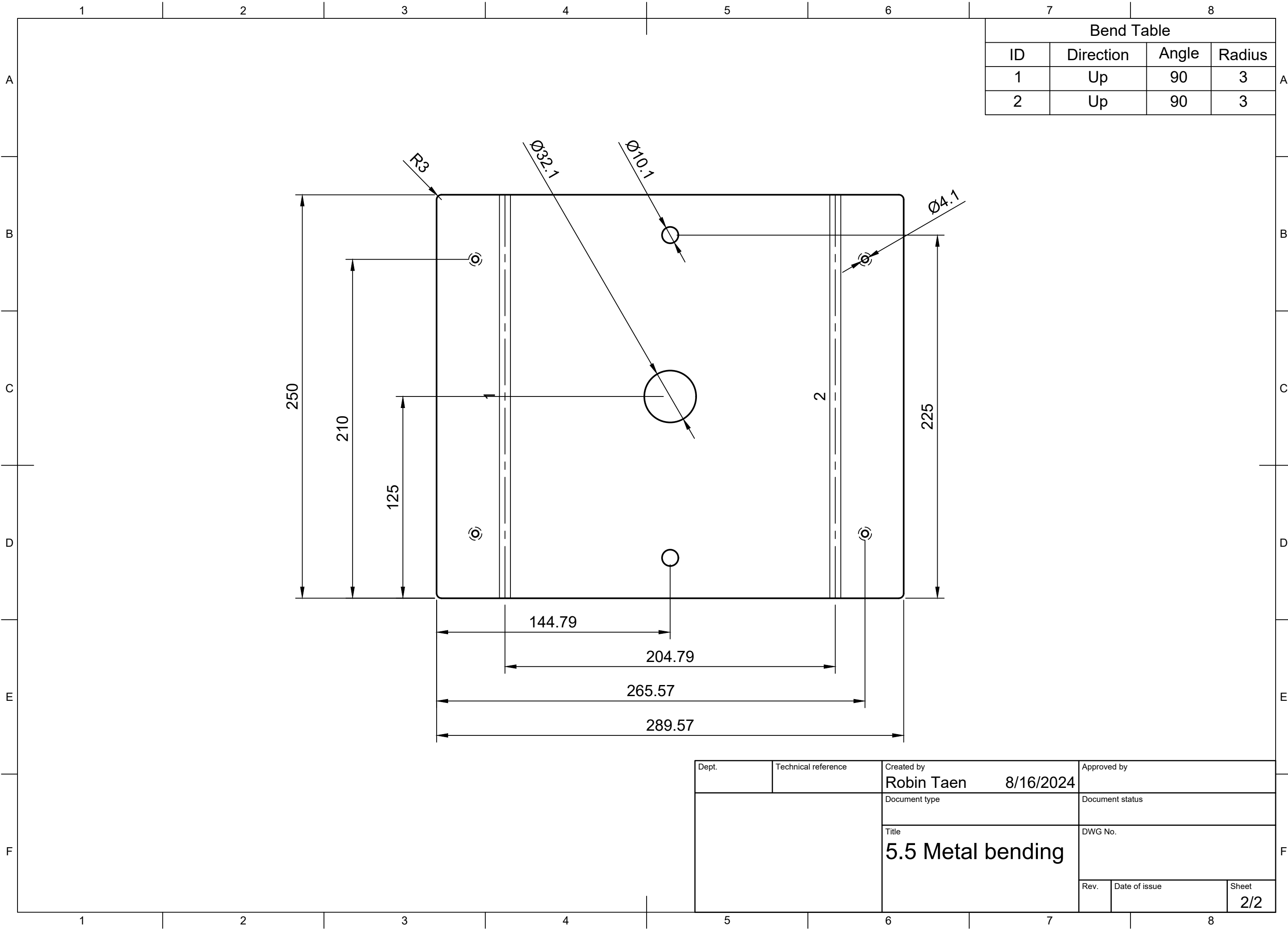


Dept.	Technical reference	Created by <b>Robin Taen</b>	8/16/2024	Approved by
		Document type	Document status	
		Title <b>5.5 Metal bending</b>	DWG No.	
		Rev.	Date of issue	Sheet <b>1/2</b>



Bend Table			
ID	Direction	Angle	Radius
1	Up	90	3
2	Up	90	3

Dept.	Technical reference	Created by <b>Robin Taen</b>	8/16/2024	Approved by
		Document type	Document status	
		Title <b>5.5 Metal bending</b>	DWG No.	
Rev.	Date of issue	Sheet <b>2/2</b>		