

MANUAL ASI ALIEN ALARM CLOCK

The alarm clock has a deep sleep optimization function. 10 minutes before the alarm time, the cylinder on the alarm clock starts to flash with blue lights. 4 minutes before the set alarm time the light intensifies to strobe effects. If you are in REM sleep during this time, you can be woken up by this. This optimises the wake-up time, you feel better than been woken up from deep sleep. At the set wake-up time, an alarm tone will sound for the next 5 minutes. The volume increases every minute.

Pressing the button on the cover of the alarm clock, switches the alarm time off.

Pressing it again switches the alarm time back on.

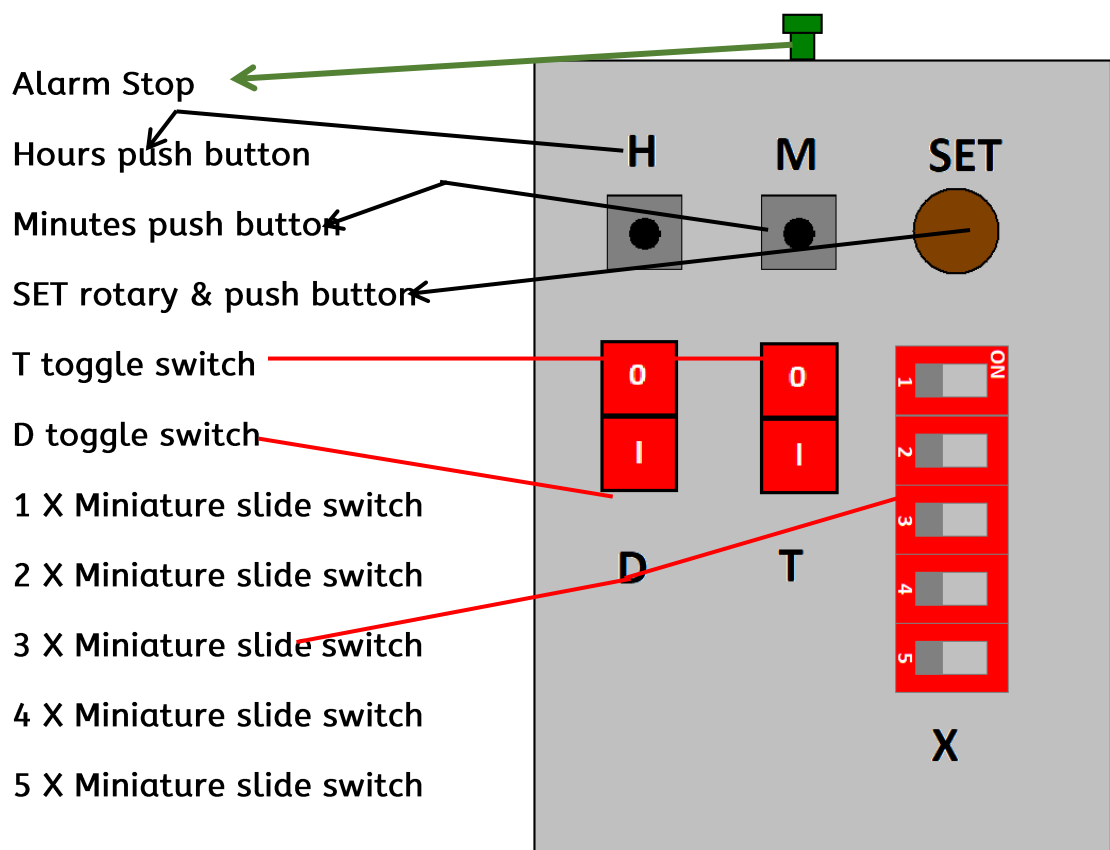
If no alarm time is set, the cylinder lights up slightly with a red light.

After 7 minutes of alarm, the alarm tone switches off until the next day.

The alarm clock has a CR2032 backup battery so the time is saved, but the set alarm time is lost in the event of a power failure.

The battery is located under the cover of the base plate.

Power the alarm clock with an suitable 3A USB power supply.



H Hour button for selecting the hour setting

M Minutes button to select the minutes setting

SET Turn the SET button to increase or decrease the hours or minutes.

Press the SET button, the alarm time is displayed for 10 seconds.

Setting an alarm time example 07:15 a.m.

Press and hold **H** push button. Turn the SET rotary switch to set the display to 7.
Release **H** push button.

Press and hold **M** push button. Turn the SET knob to set the display to 15.
Release **H** push button.

Briefly press the SET rotary button to check the correct alarm time.

Switch D: This can be used to minimize the display brightness and switch off the "flickering" in the upper tower housing.

Switch T: After switching on, the cylinder generates a "light show" with the entire color spectrum. After switching off, it takes one minute to return to normal operation.

T Mini slide switch 1: ON position, increases the number of hours by 1 hour for the simple daylight saving time changeover.

T Mini slide switch 2: ON position, the system time can be adjusted. Proceed in the same way as for setting the alarm time. During the time setting function, the alarm clock produces a "ticking noise". To activate the time, set the switch back to OFF.

T Mini slide switch 3: Power failure alarm, in the ON position, the alarm clock produces an ALARM after a power failure. Because the set alarm time is no longer correct. Alarm acknowledgement, by pressing the SET switch.

T Mini slide switch 4: Light wake-up function, in the ON position the light wake-up function is switched off. The alarm clock works like a conventional alarm clock.

T Mini slide switch 5: Night light, the alarm clock cylinder lights up white.

Application examples:

Setting the alarm time:

Press the **H** button and use the **SET** button to select the hour.

Press the **M** button and use the **SET** button to select the minute, and check the alarm time by briefly pressing the **SET** button. The alarm time is shown on the display for approx. 7 seconds.

Cancel the alarm time:

During the alarm or before the alarm, press the button on the cover top once. The cylinder lights up with a red light and the alarm is switched off. Pressing it again switches the same alarm time back on.

To switch off the alarm time permanently:

Press the top button on the cover once. While the cylinder is illuminated in red, press the **SET** button once briefly again. The light in the cylinder goes out and there is no longer a alarm time stored, until a new alarm time is set.

Set the time:

Mini slide switch 2:

Set to ON position.

Press the **H** button and use the **SET** button to select the hour.

Press the **M** button and use the **SET** button to select the minute.

The time is stored as soon as the **Mini slide switch 2** is switched to OFF.

For a setting accurate to the second, advance the minute by one or two minutes and then reset the **Mini slide switch 2** when the second hand jumps.

Daylight saving:

To set the system time one hour ahead, you can set the **Mini slide switch 1** to ON.

Power failure alarm:

To set a power failure alarm, set the **Mini slide switch 3** to ON. After a power failure, the alarm sounds and the cylinder flashes a red light. The alarm is acknowledged by pressing the **SET** switch.

Night light:

Mini slide switch 5 generates a white light in the cylinder.