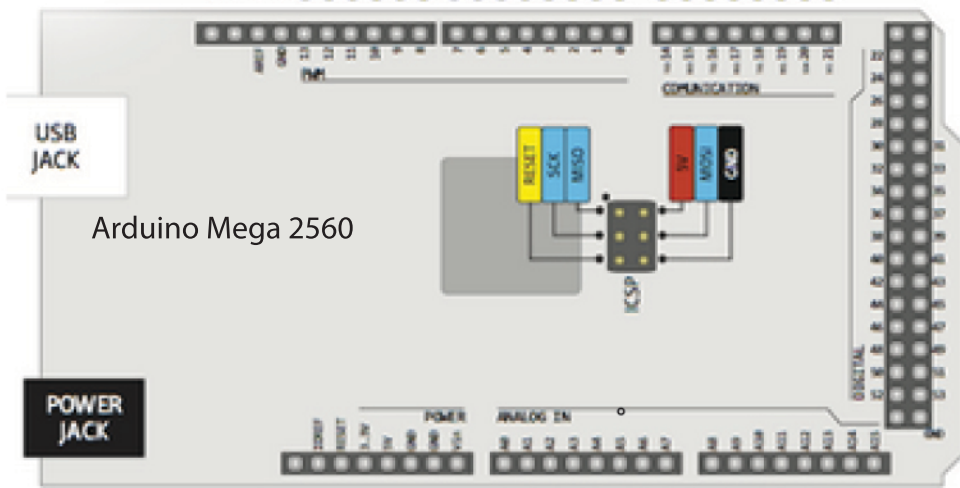


SPST Switch Down = 0 (Zero)
 Grounds Red LED, Green LED
 turns off, sends analog LOW to
 pull down Analog INs A9-A16



Pinout 3 color LED



Switches and
 3 color LEDs

LSB

MSB