

WOODEN
AT-AT
WALKER
PLANS

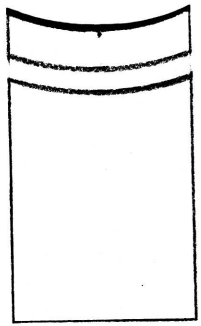
ALL PAGES © Sam Elder 2015

instructables.com/member/seamster

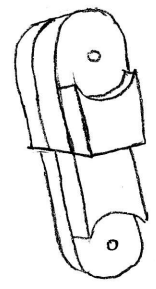
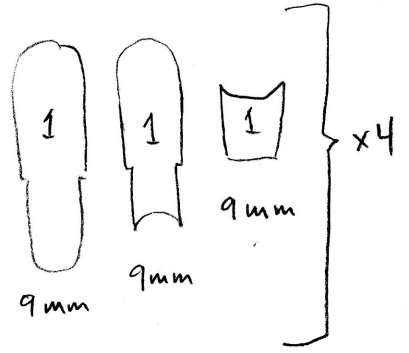
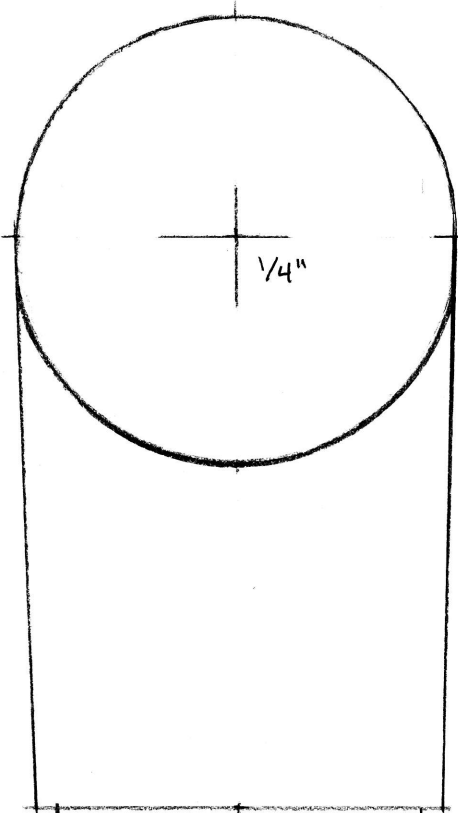
Plans are for non-commercial use.

ENJOY!

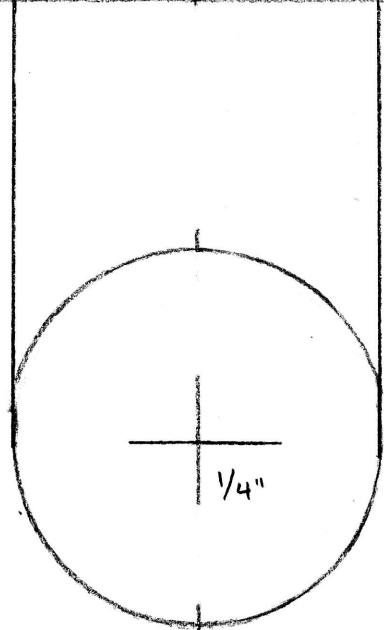
x4



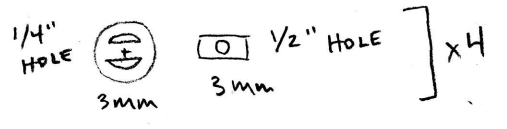
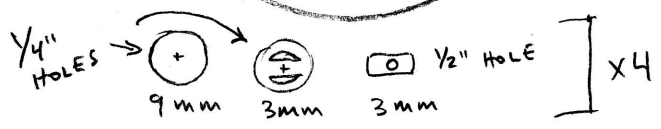
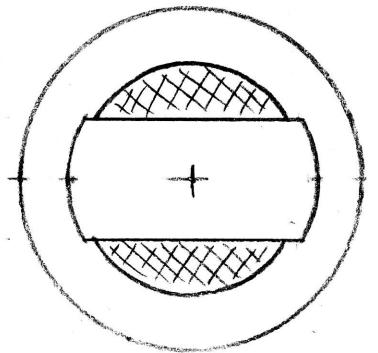
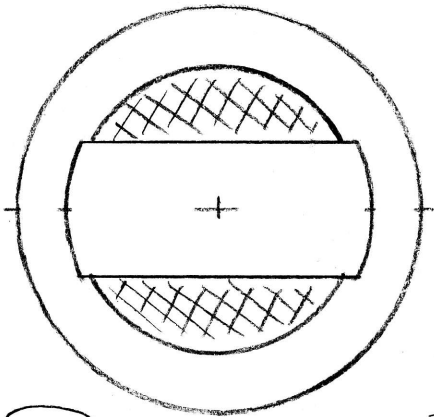
FRONT DETAIL
3mm

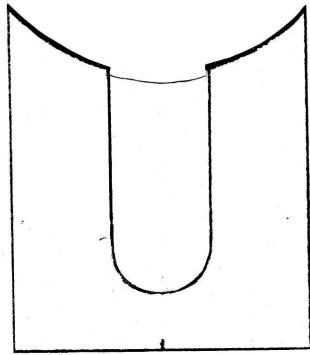


UPPER
KNOB

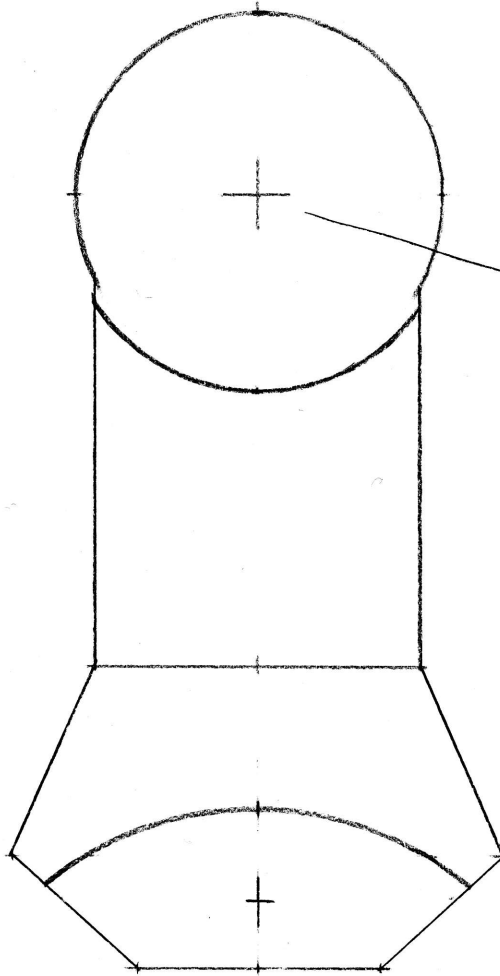


LOWER
KNOB

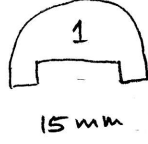
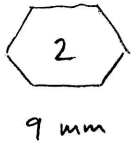
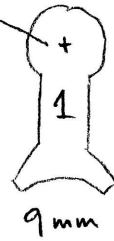




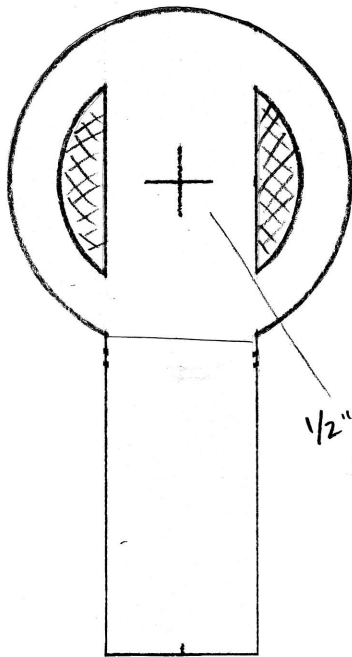
FRONT DETAIL
3mm



HOLE SIZED TO
FIT 1/4" T-NUTS,
COUNTER-BORED 1/2"
FOR HEAD OF T-NUT

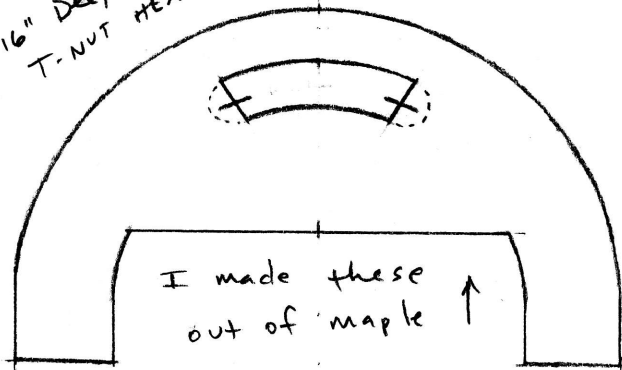


x4



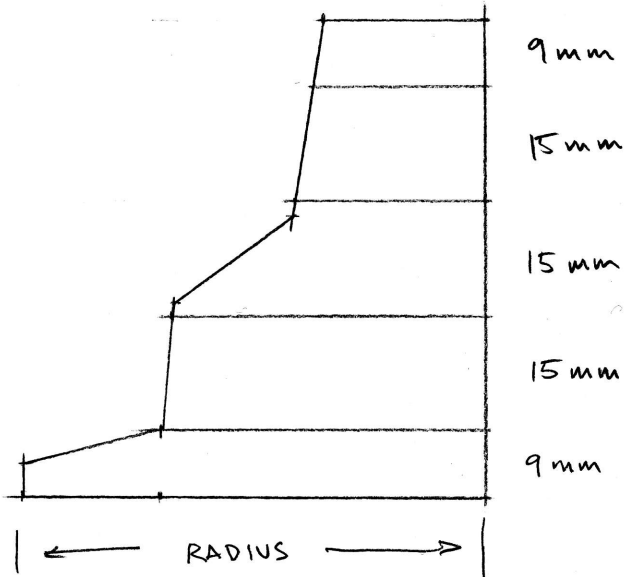
BACK DETAIL
3mm

1/2" counter bore
1/16" Deep to cover
T-NUT HEAD

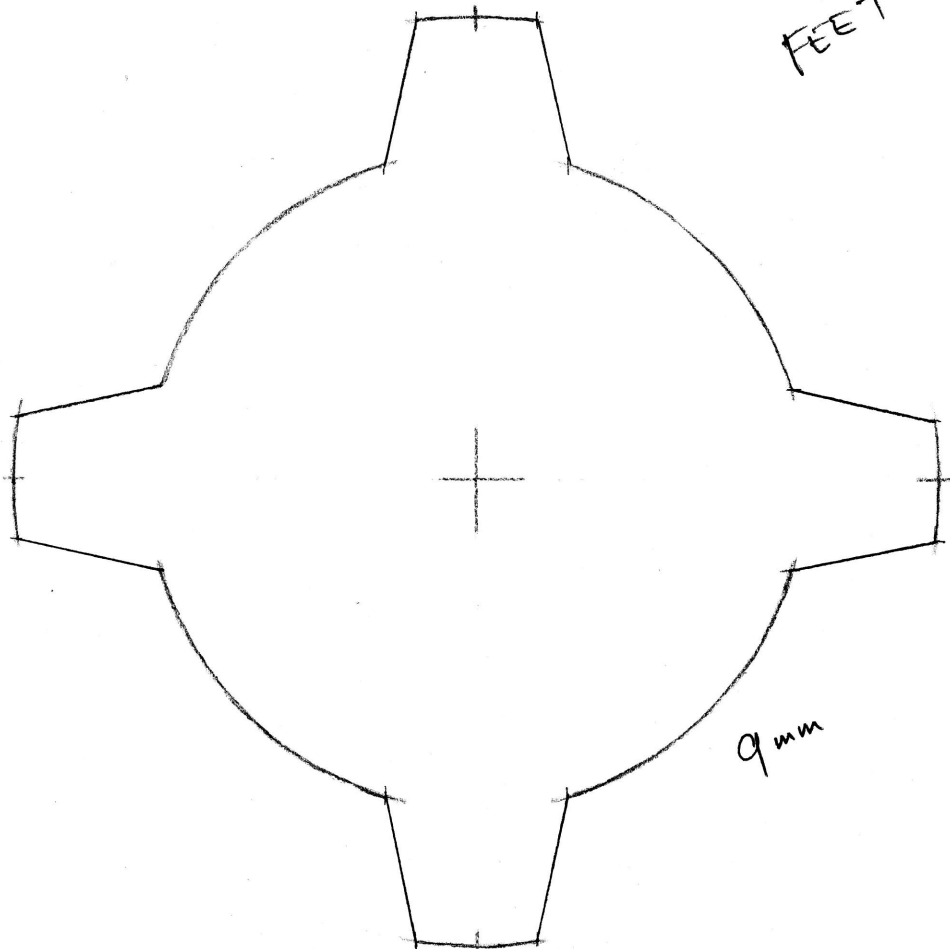


I made these
out of maple ↑

COMPASS GUIDE
↓

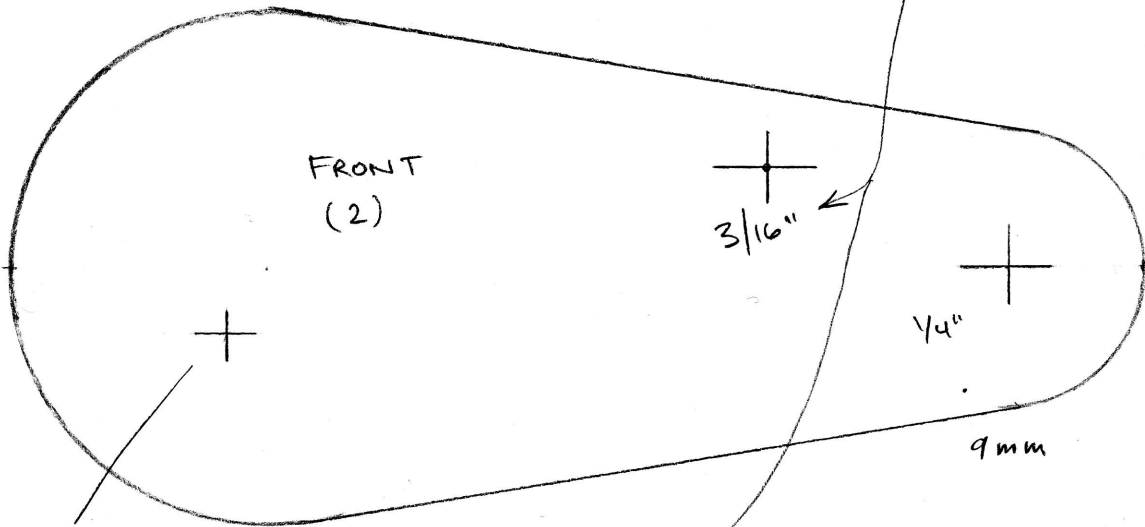


1/4" CENTER
HOLE FOR ALL
LAYERS HELPS
LINE THEM UP
FOR GLUING

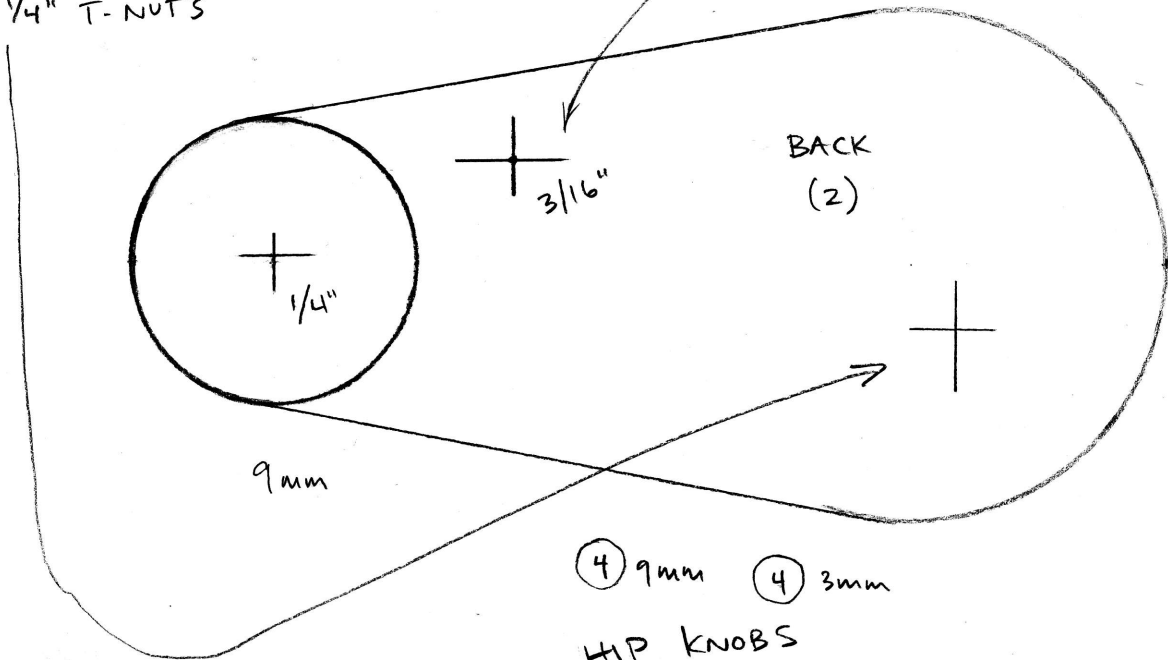


HIPS

FOR METAL
STOPPER RODS

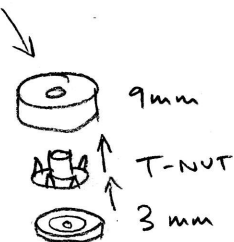


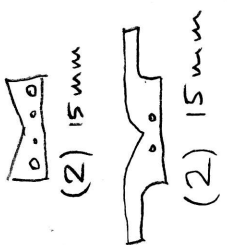
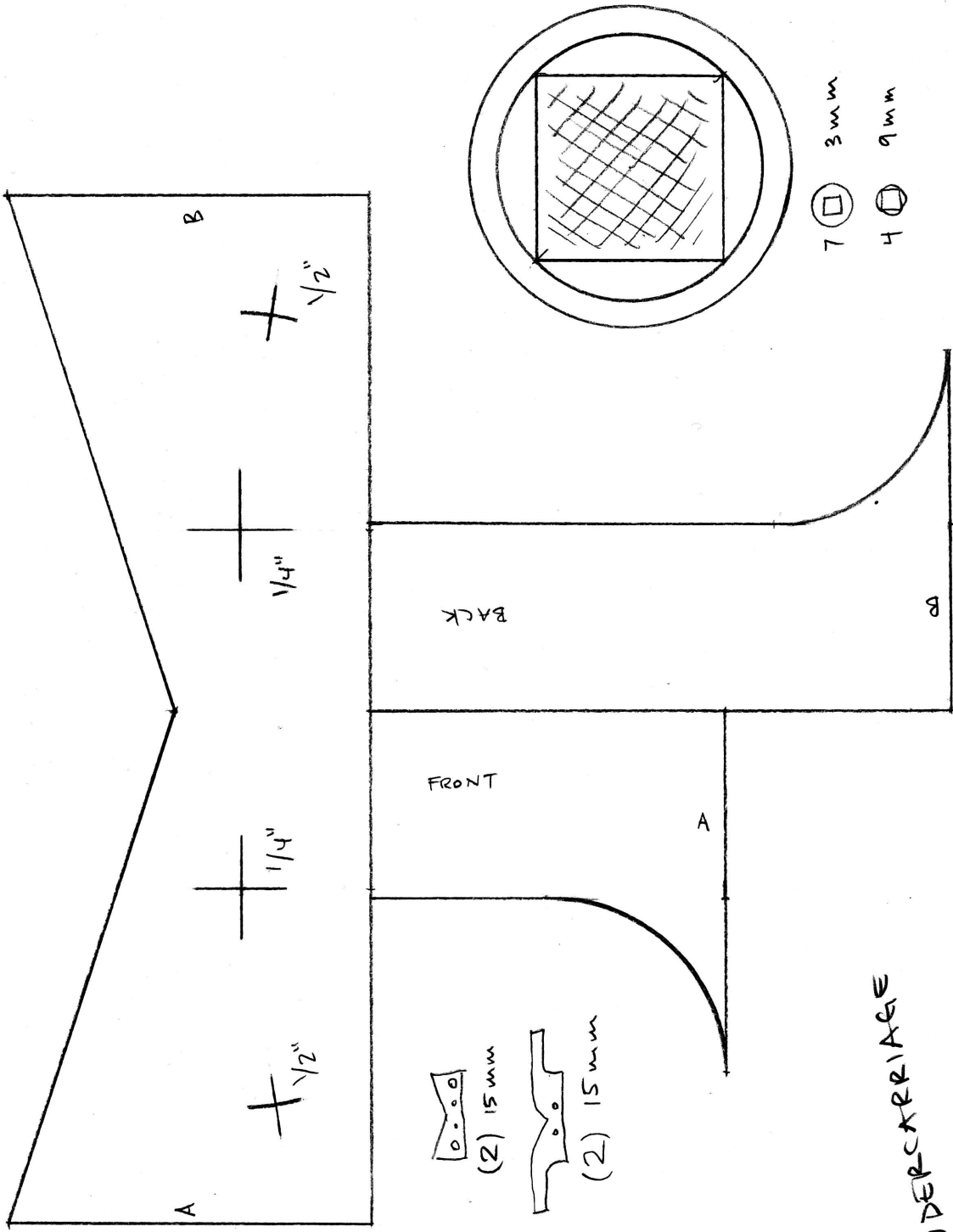
HOLES SIZED
FOR 1/4" T-NUTS



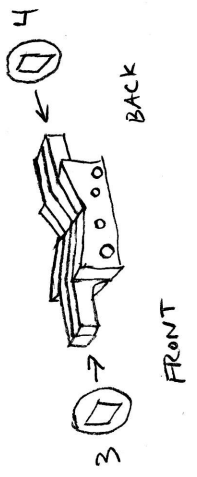
④ 9mm ④ 3mm

HIP KNOBS





UNDECKERRIAGE



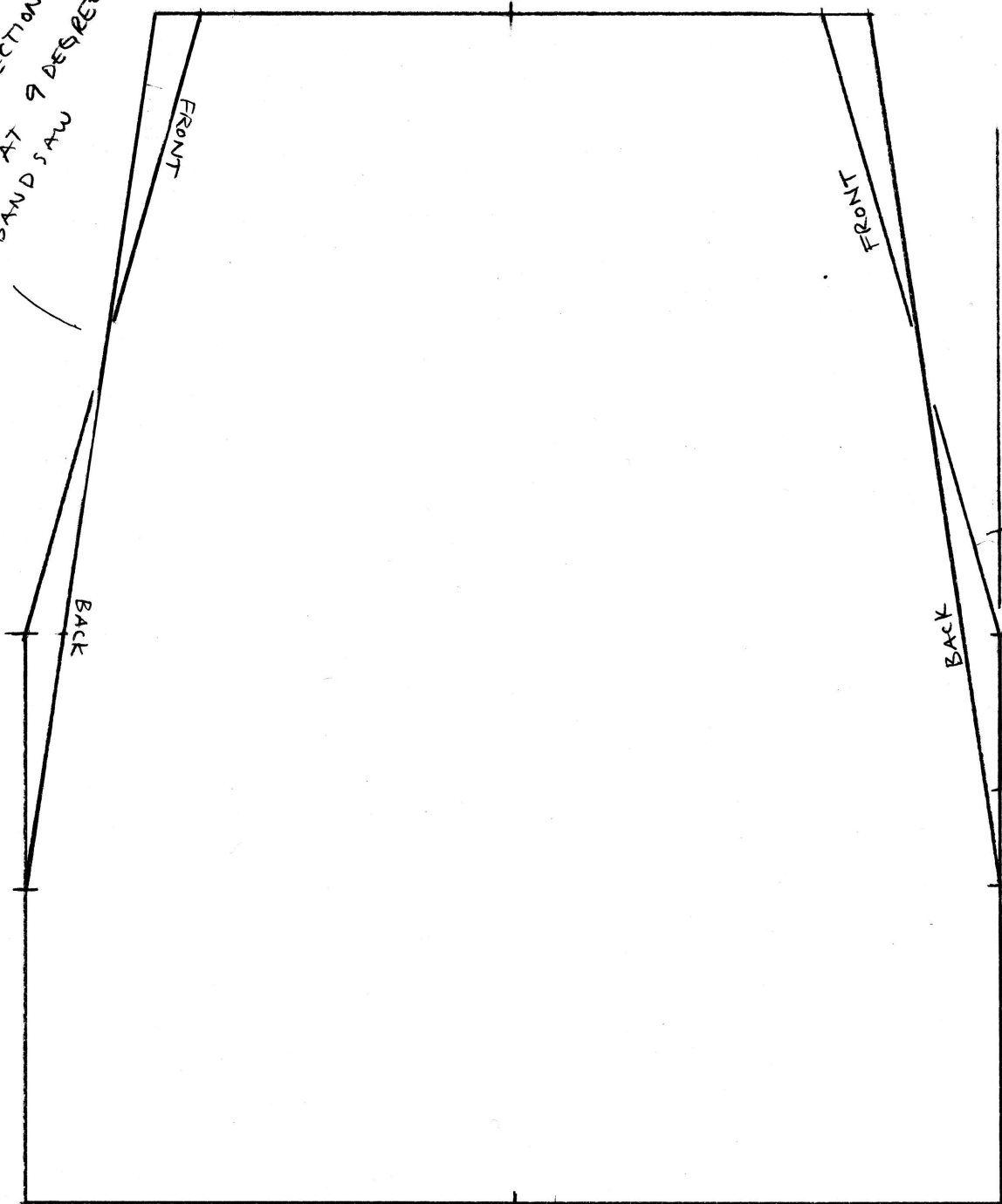
Body Base Plate

15 mm

PRINT 2
OF THIS PAGE

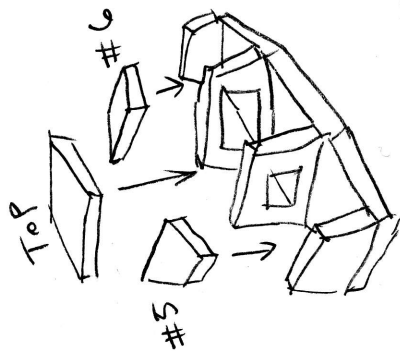
CUT & JOIN 2 HALVES
AT MIDDLE

ANGLED END SECTIONS
BEVEL-CUT AT 9 DEGREES
USE BAND SAW

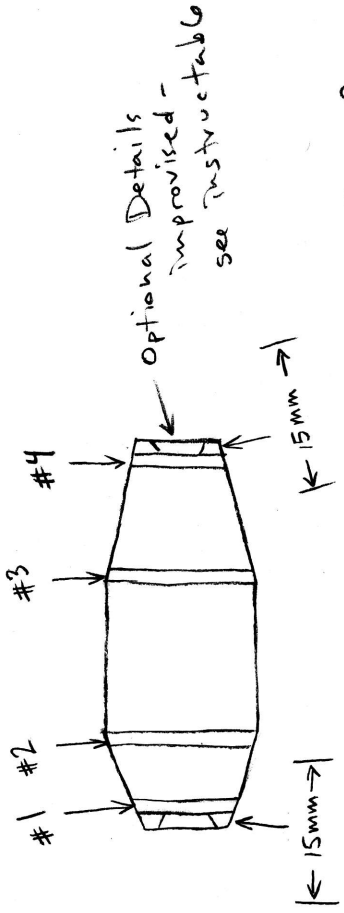


MIDDLE SECTION
BEVEL-CUT 7 DEGREES

JOIN 2
PARTS

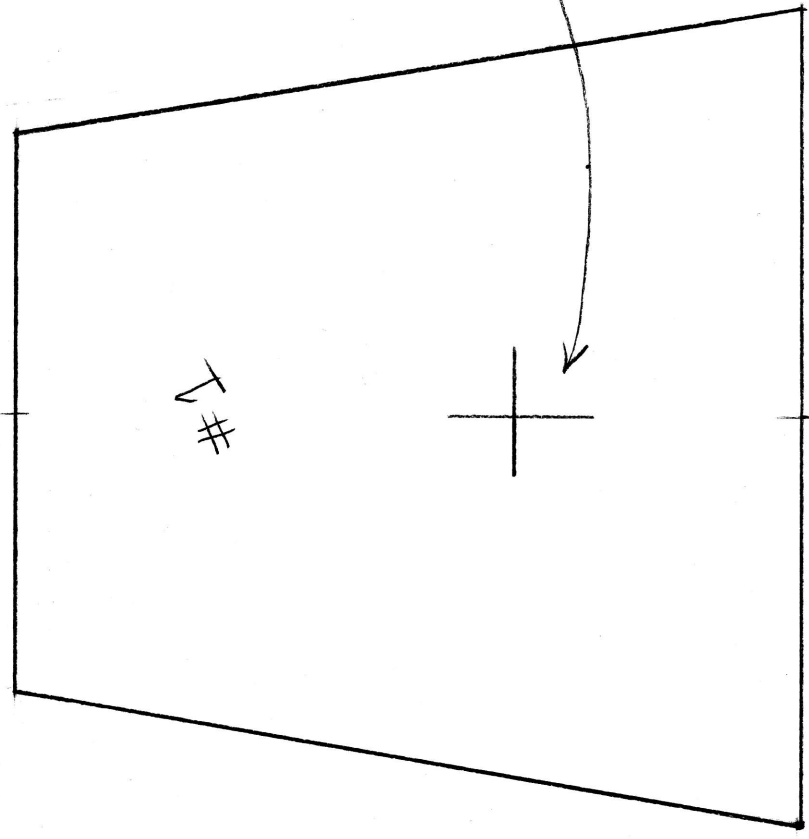


BODY
FRAME
PIECES

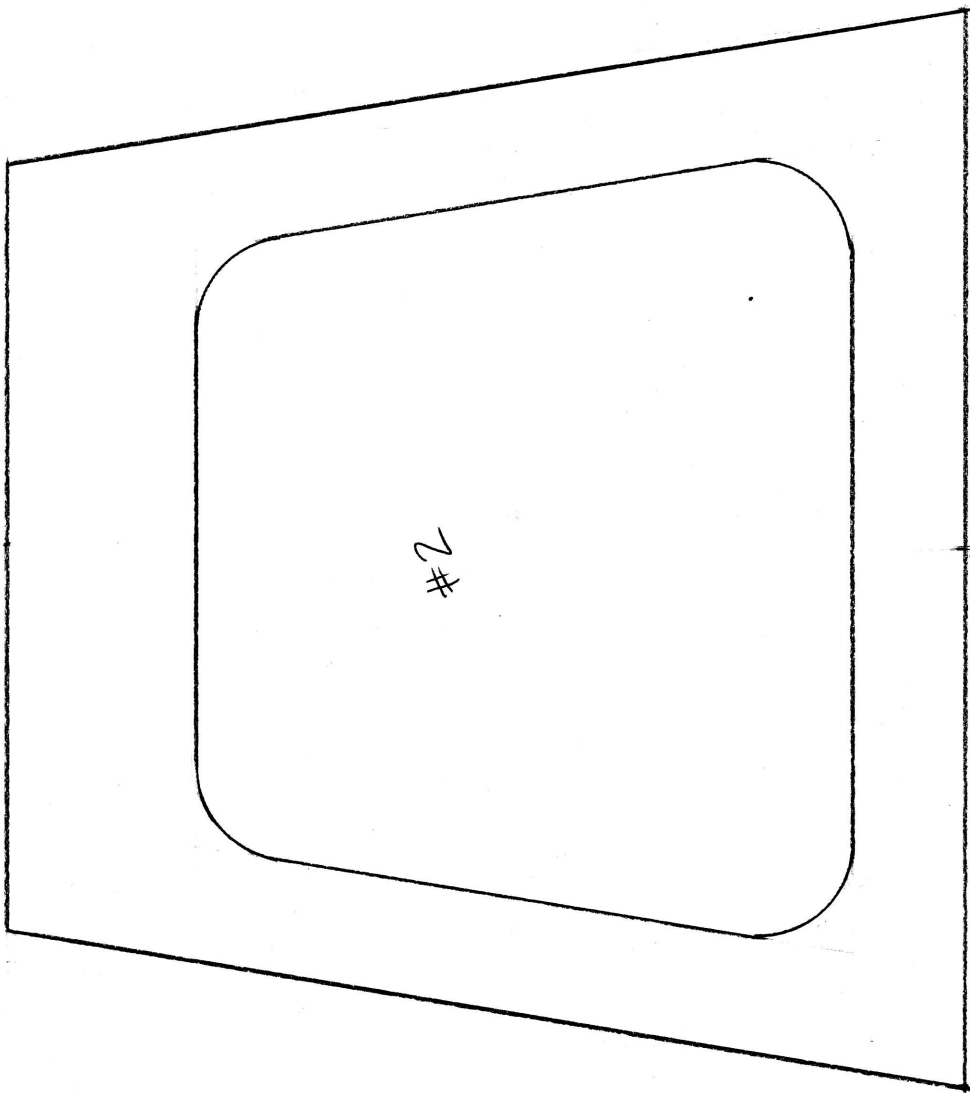


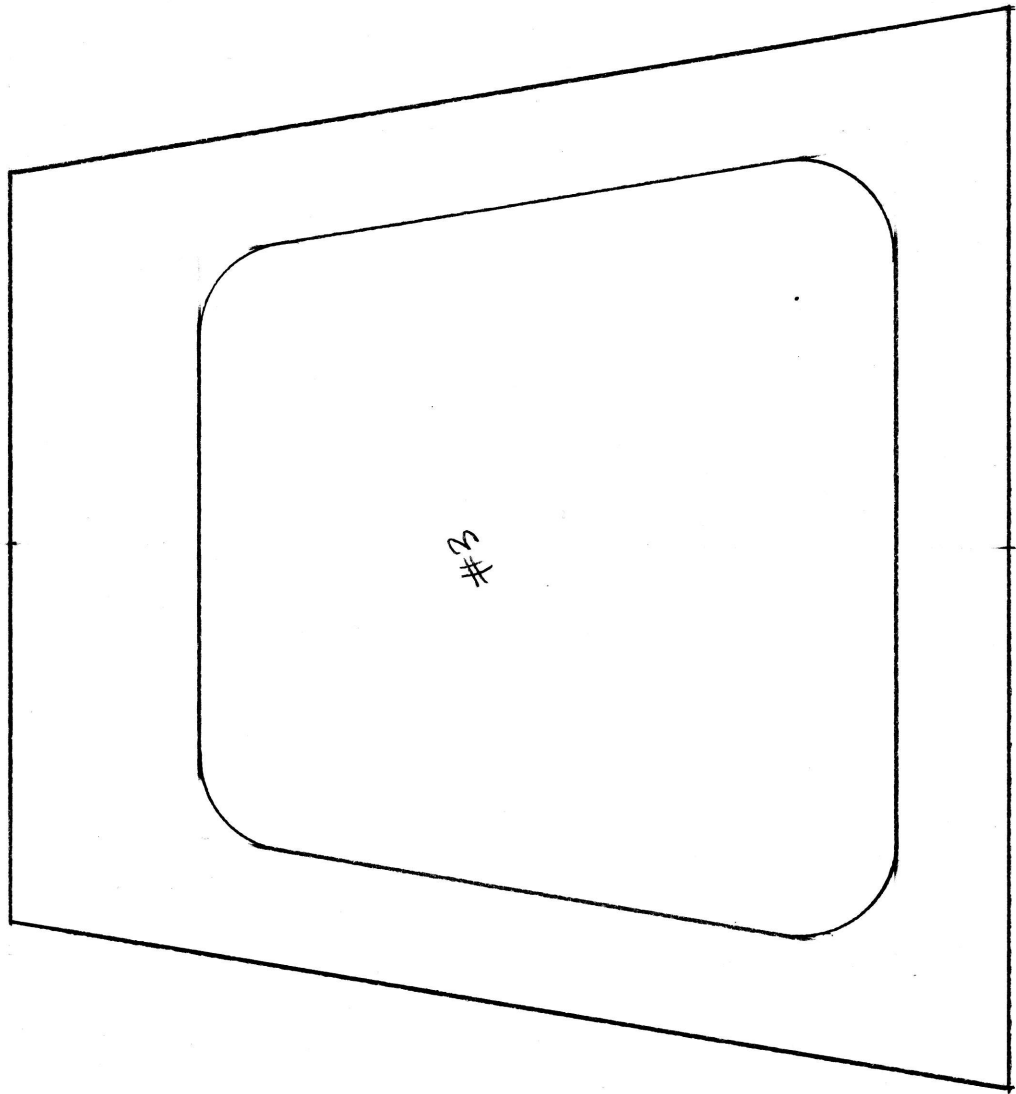
#'s 1 + 4 Need to be inset 15mm from ends

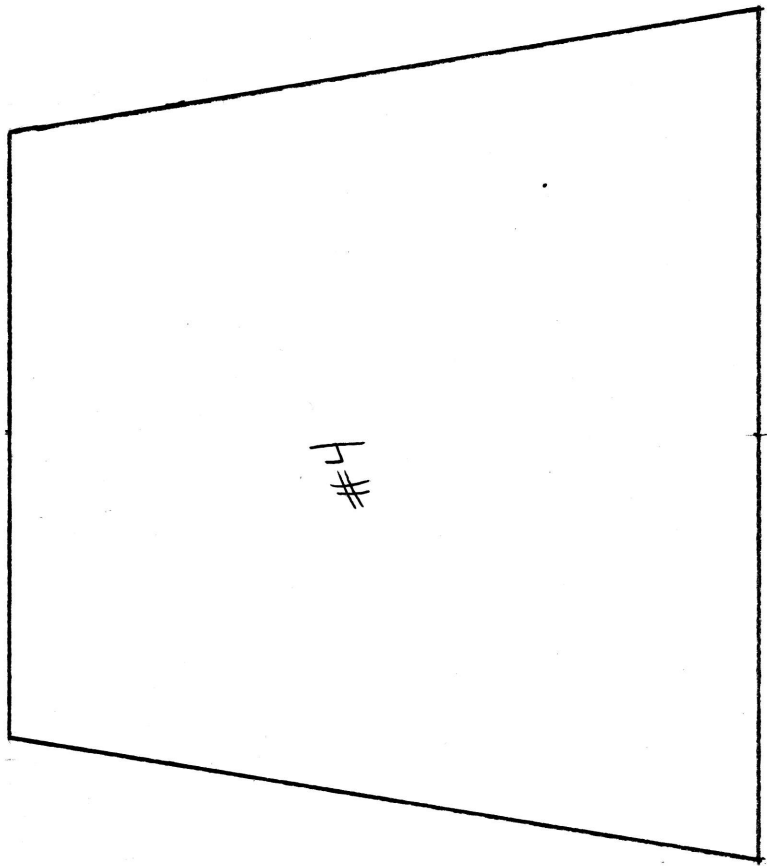
Pieces 1-6 are 15mm

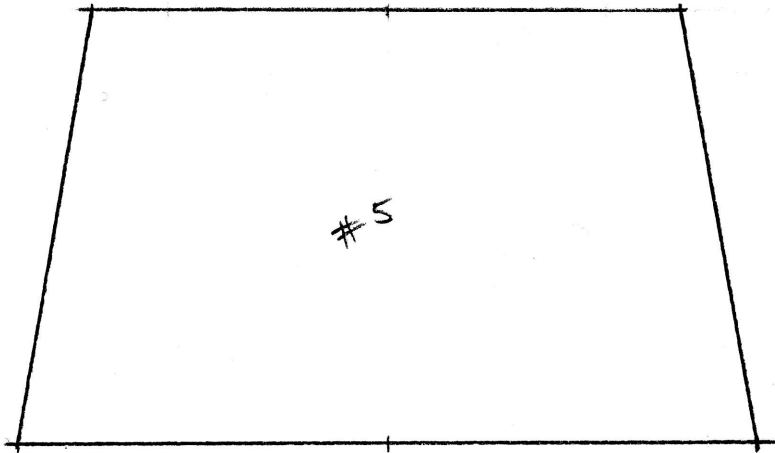


54mm
circle cut
out for
neck pieces

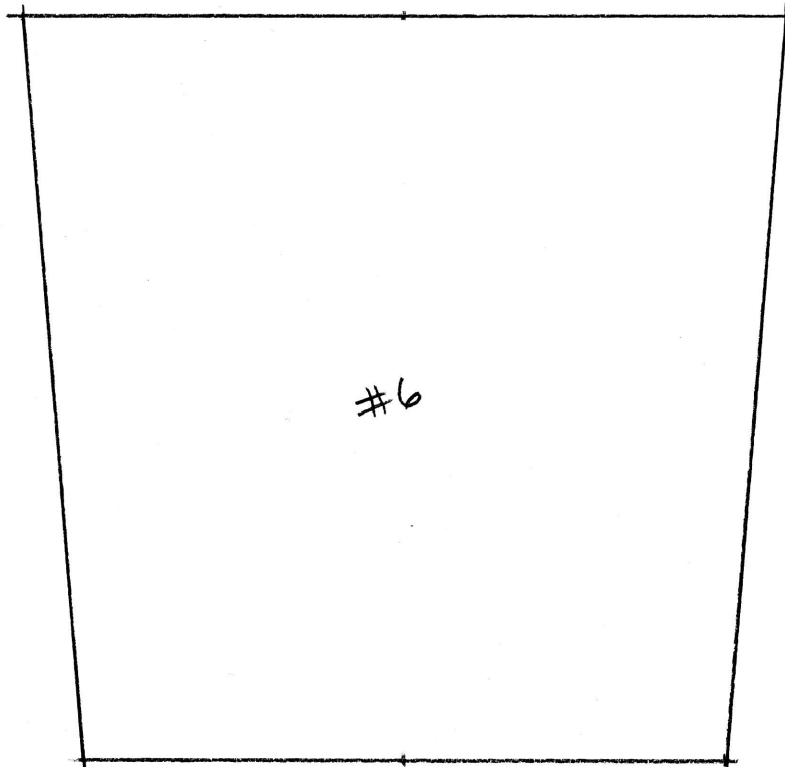








Match angles
to fit in
frame





TOP
15 mm

BODY FRAME ANGLE
FRAMING

#6

#4

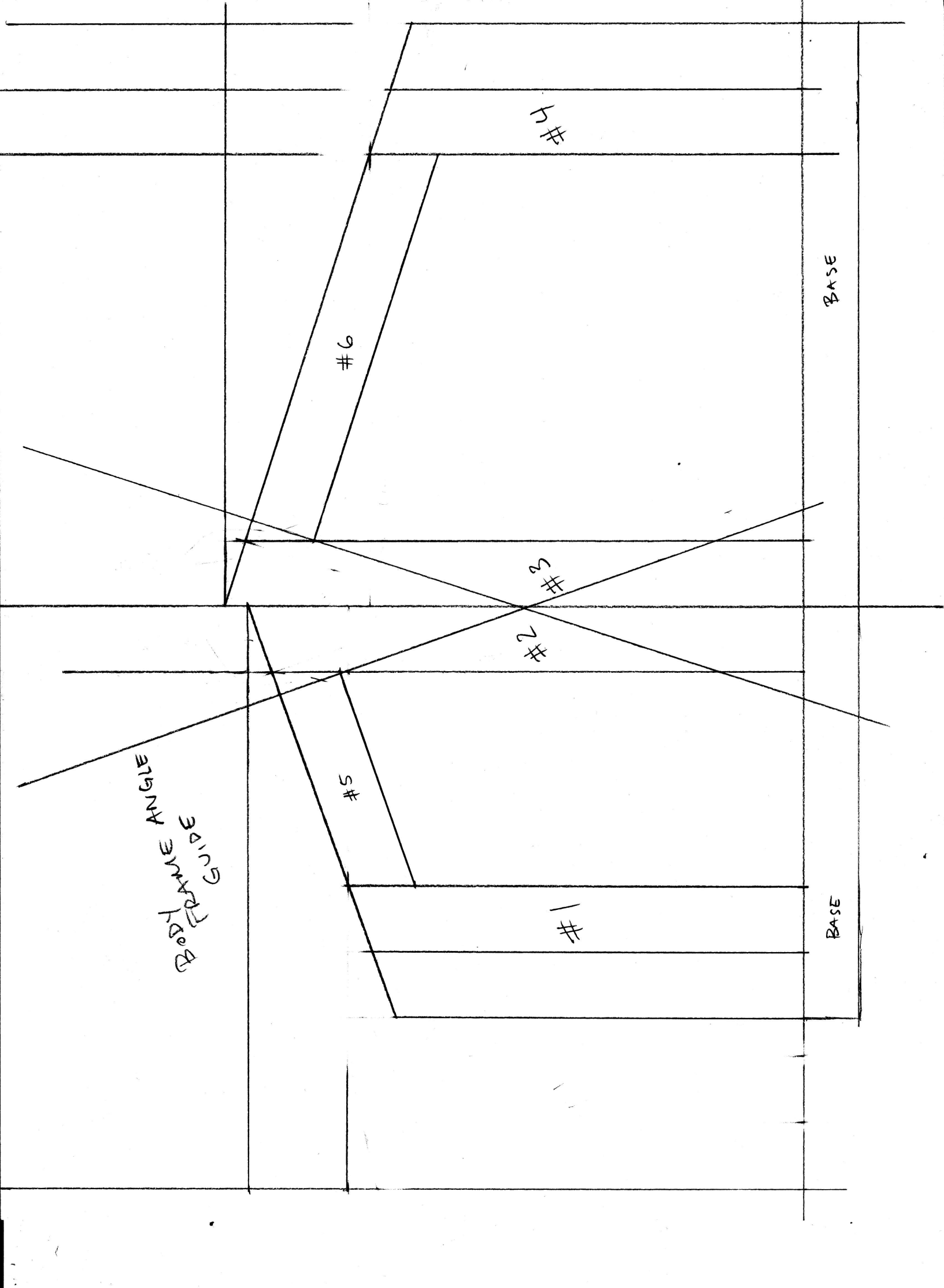
#2
#3

#5

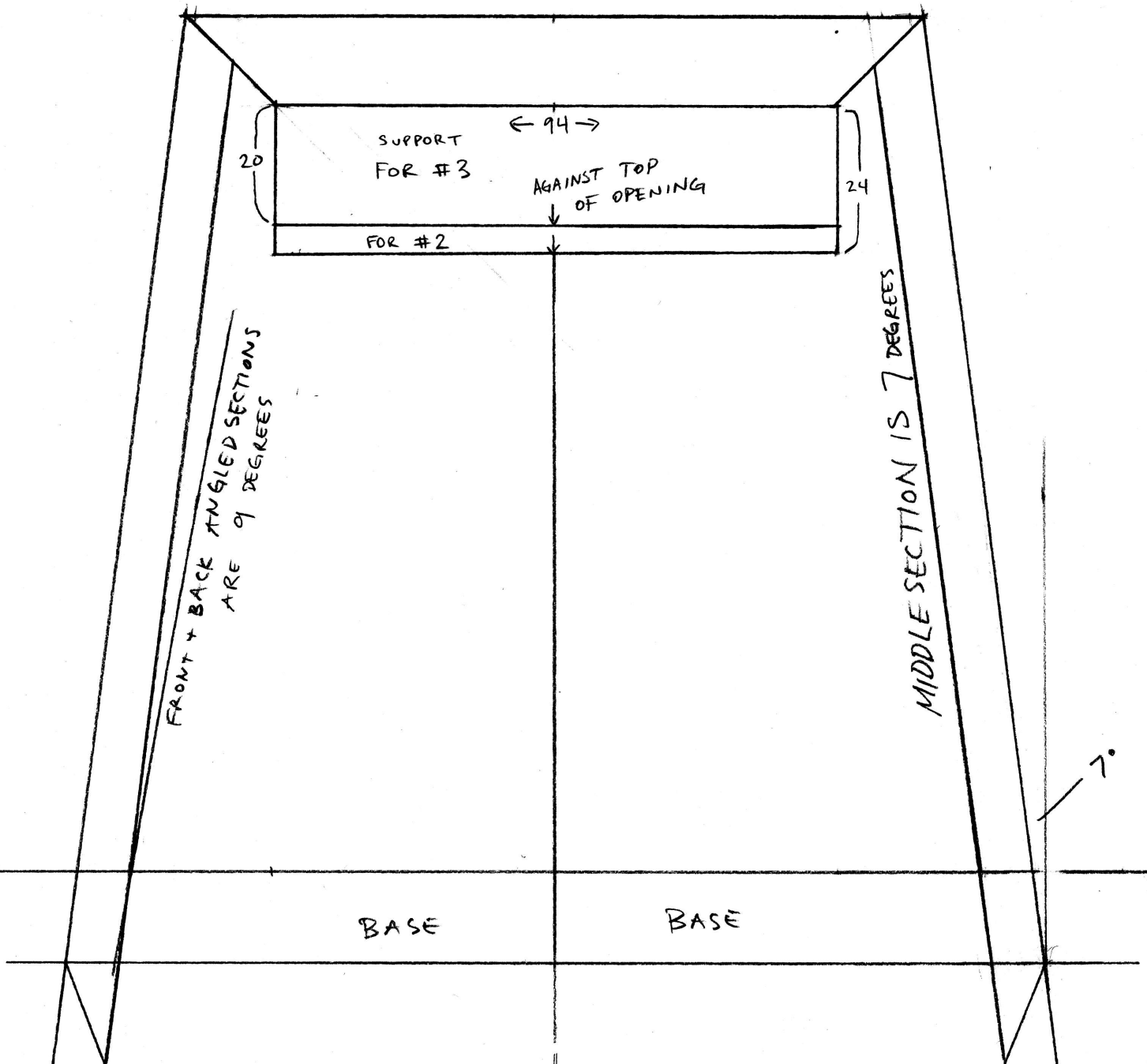
#1

BASE

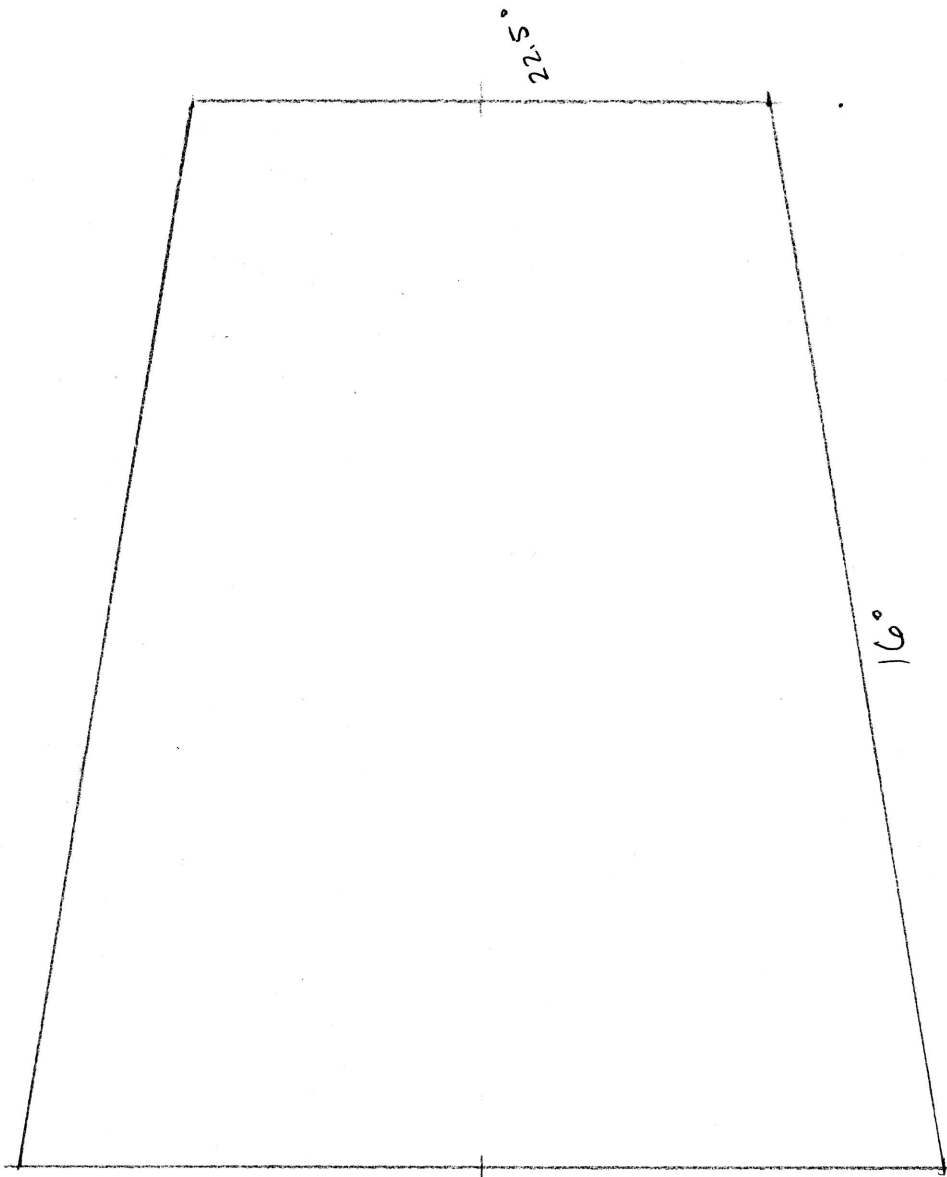
BASE



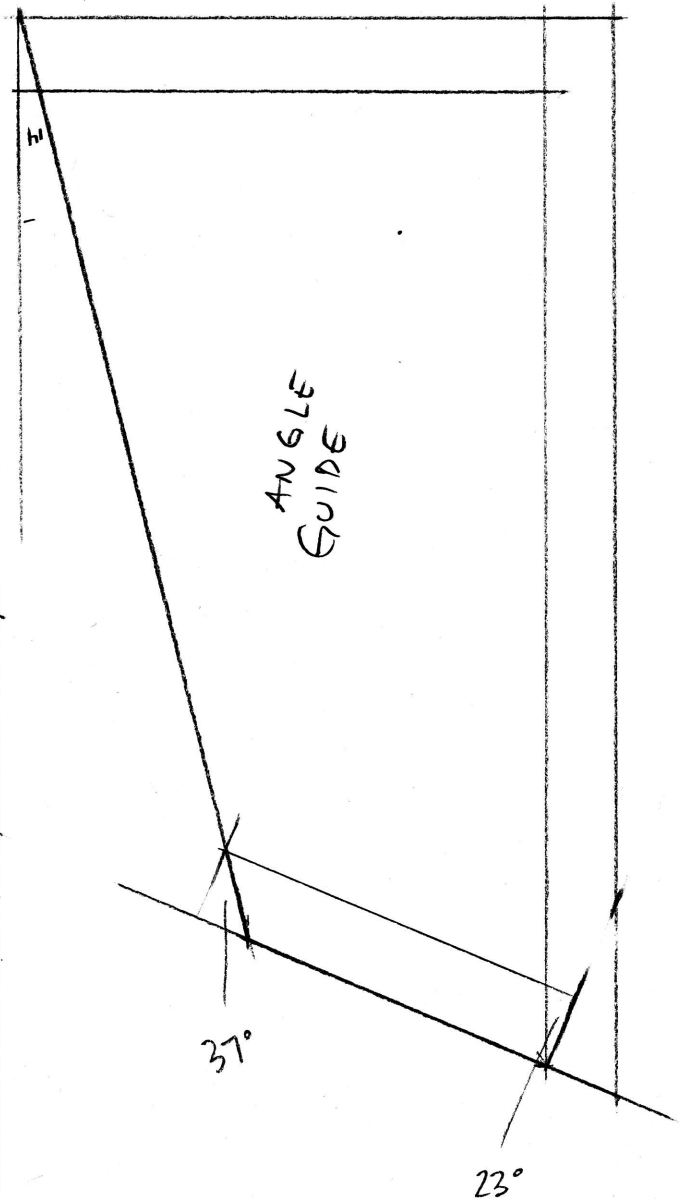
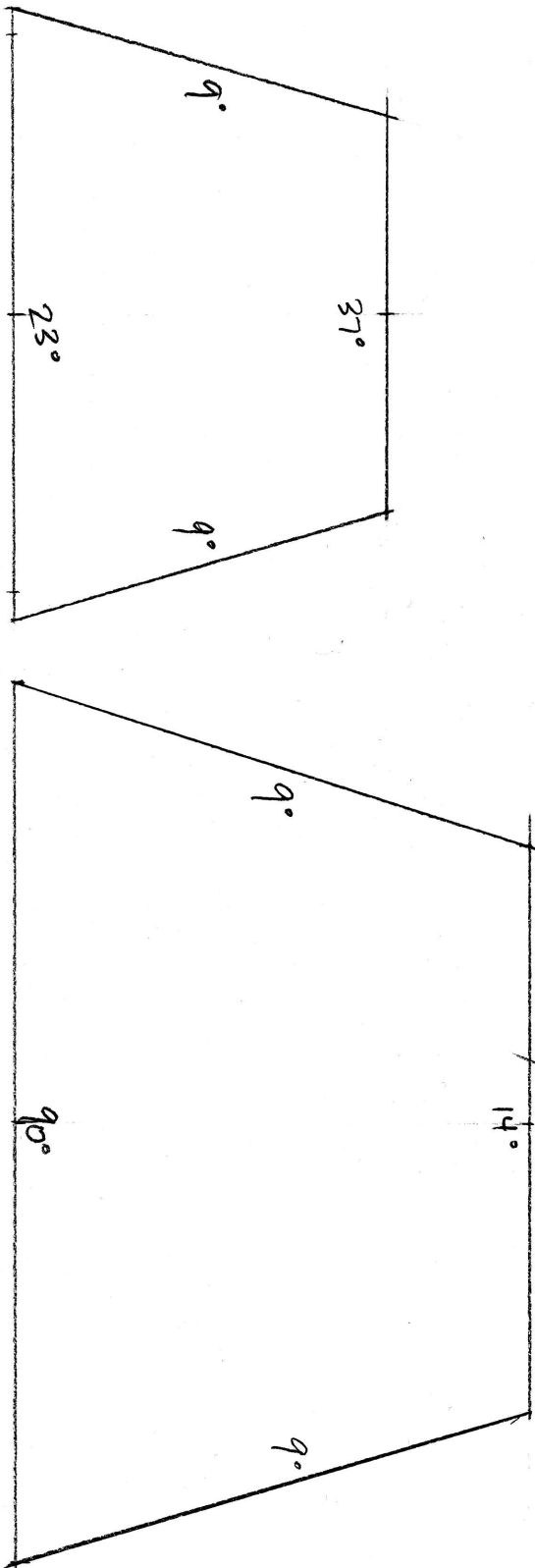
BODY
FRAME ANGLE
GUIDE

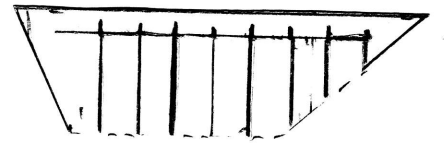
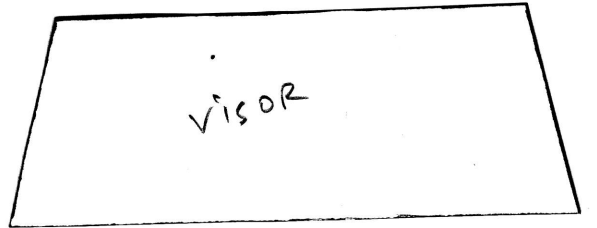
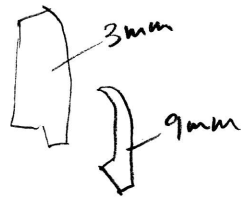
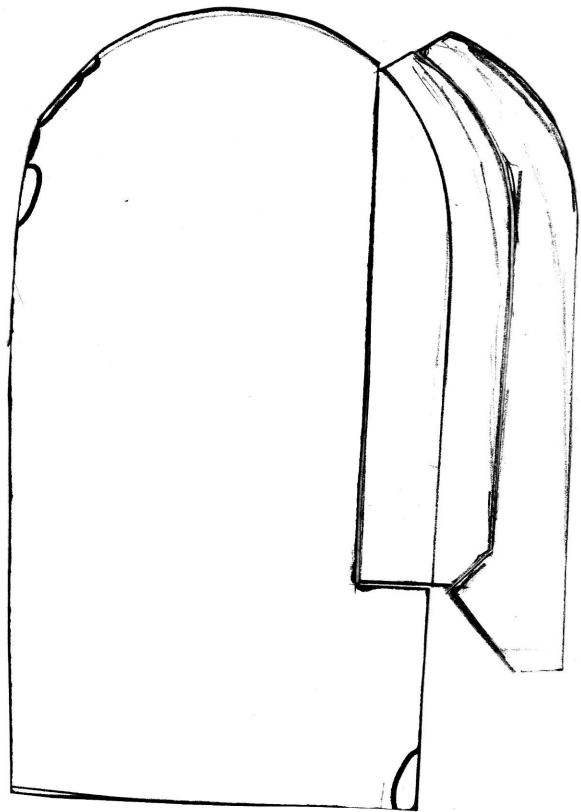
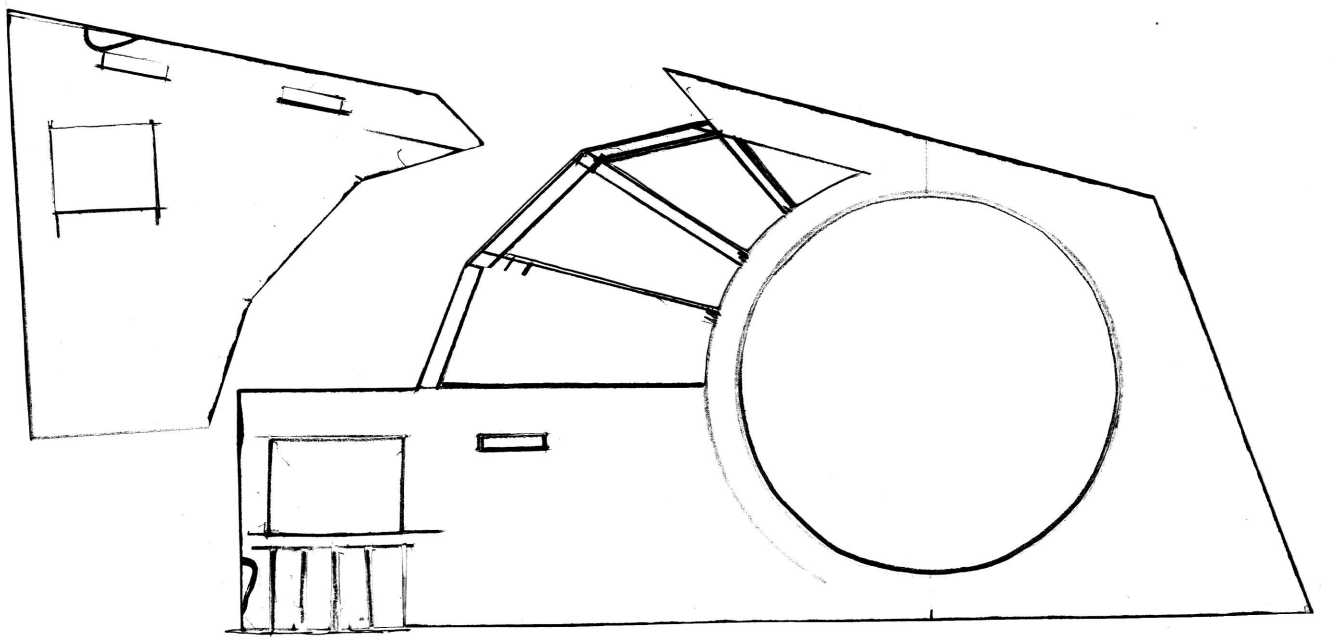


COCKPIT
BASE 9mm



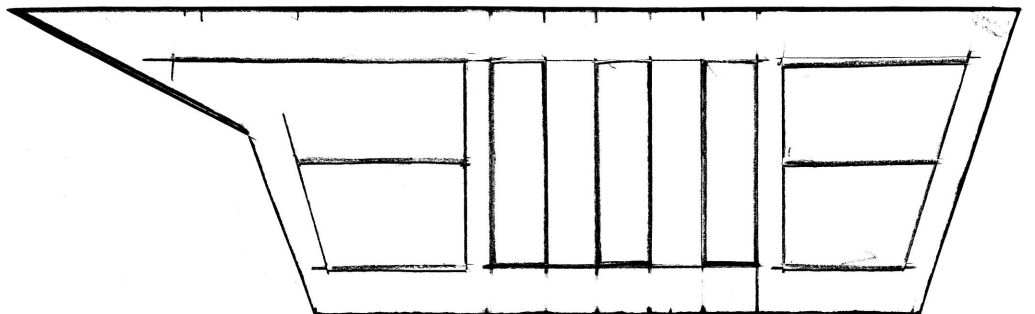
Cockpit
Front & Back
9 mm





Back layer 3mm
FRONT 9mm

Bottom Main doors



Misc. OTHER
STUFF