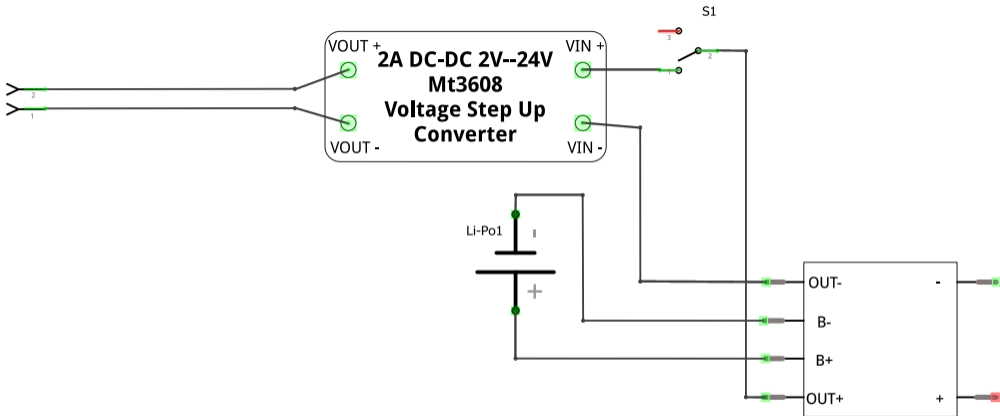


To PCB



fritzing