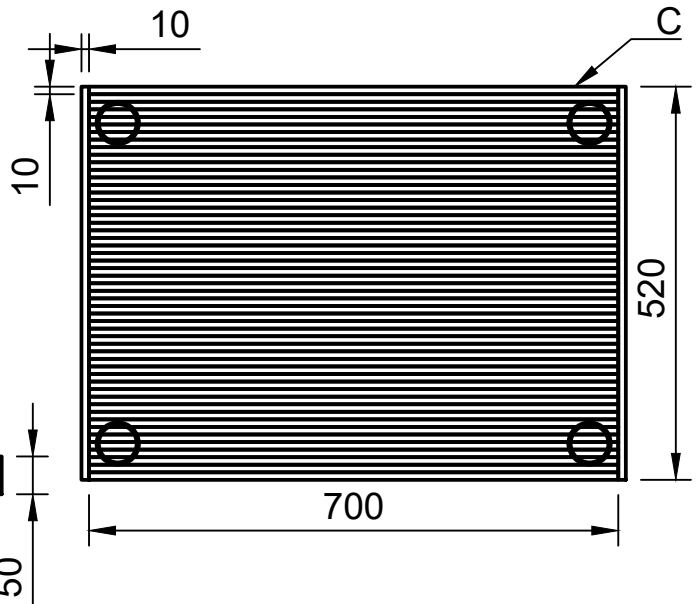
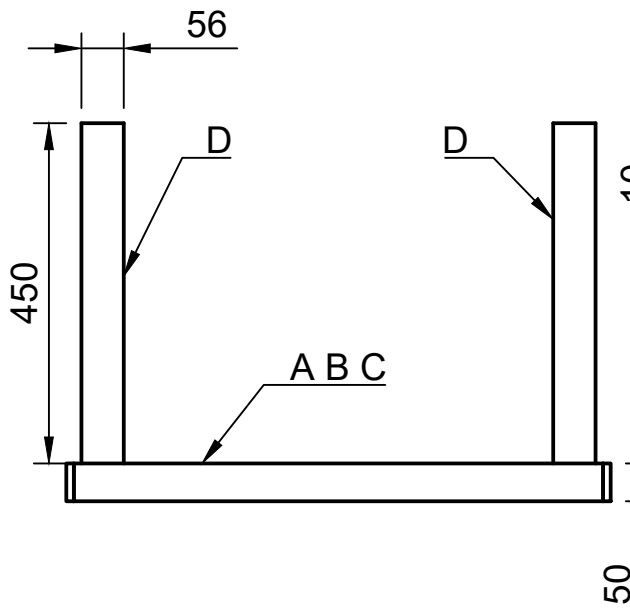
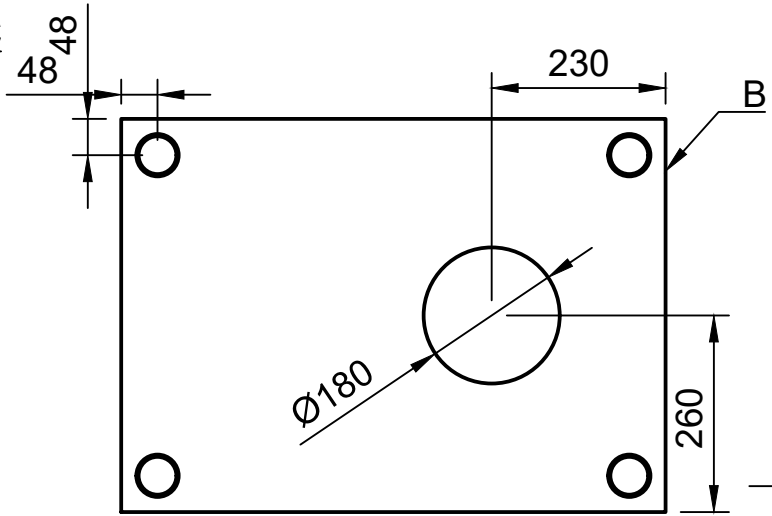
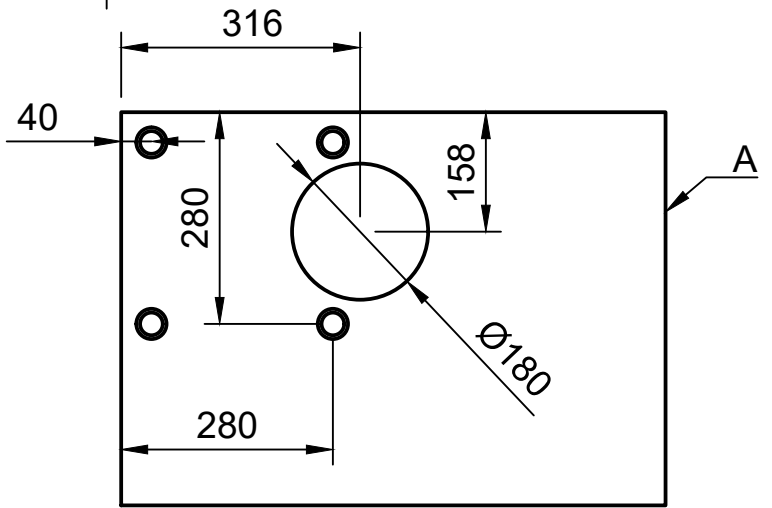
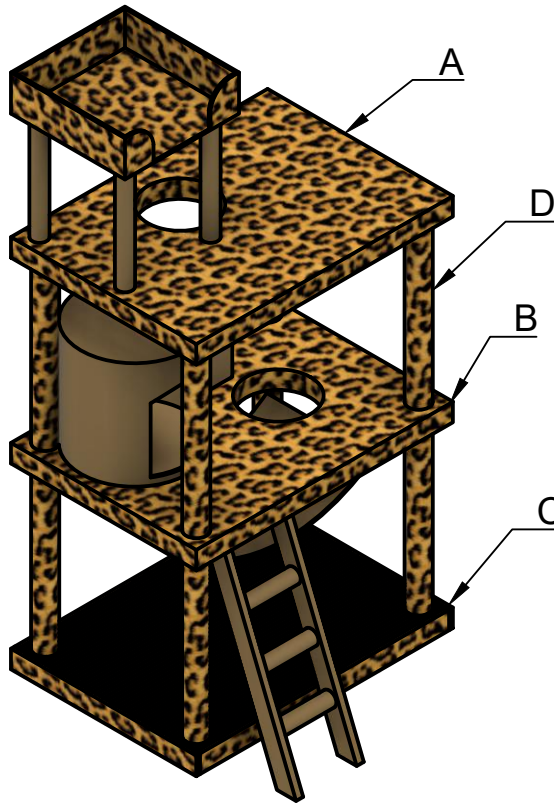
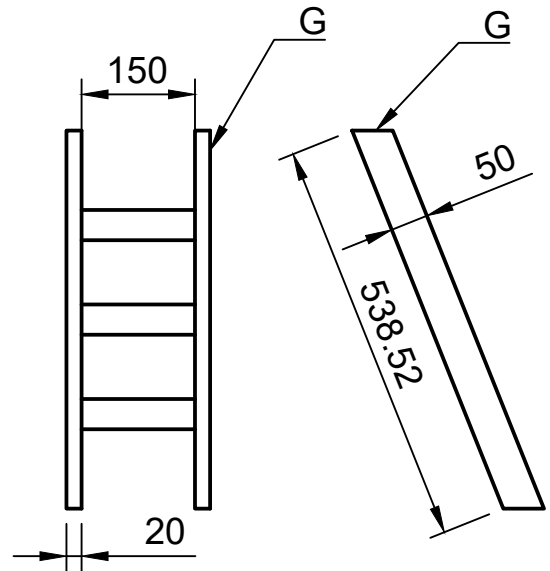
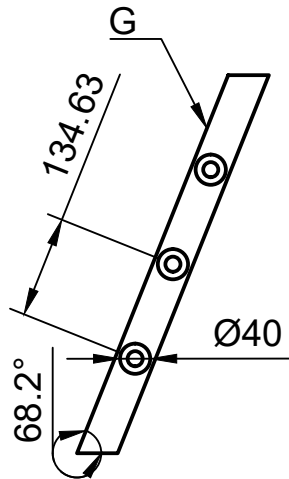
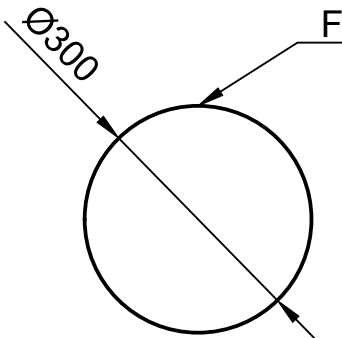
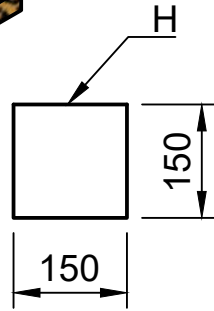
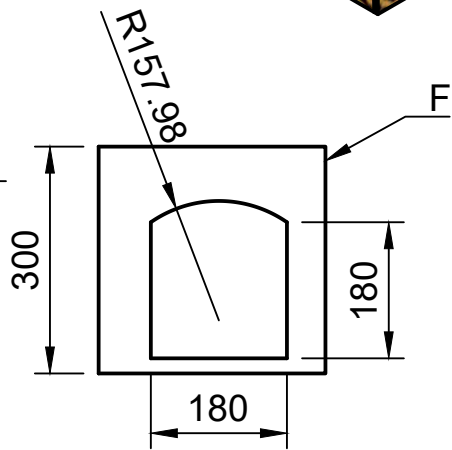
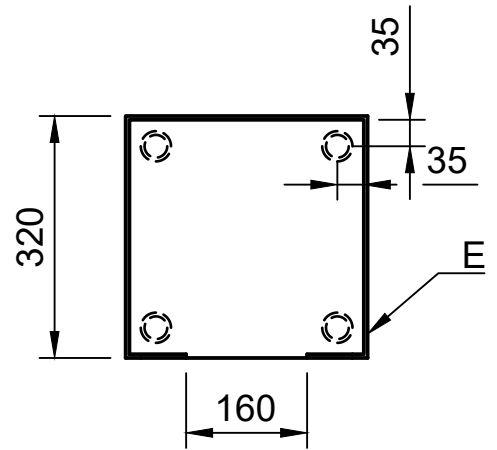
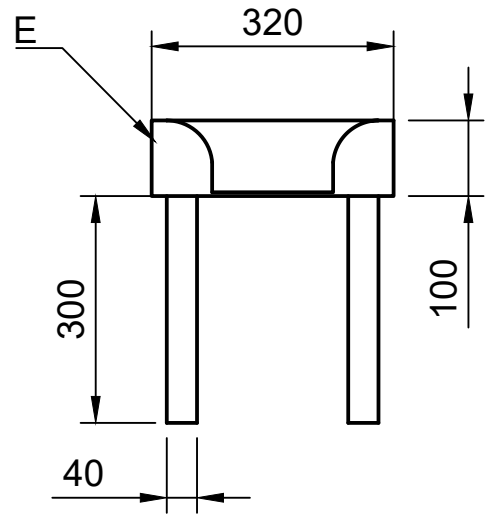
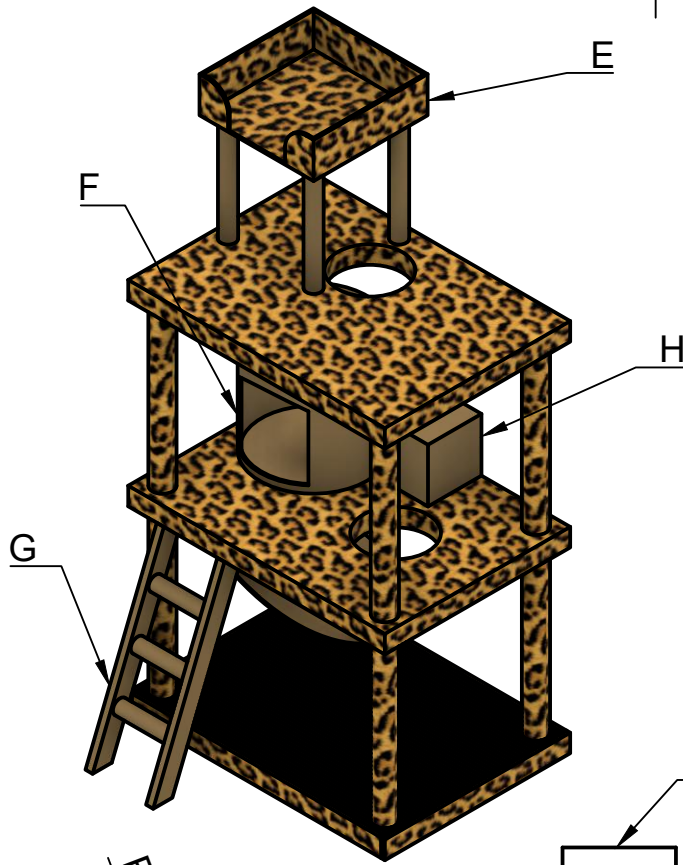


Dept.	Technical reference	Created by nerdyKat	Approved by	
Units in mm		Document type	Document status	
Scale 1:15		Title Cat Activity Centre	DWG No.	
		Rev.	Date of issue	Sheet 1/3



Dept.	Technical reference	Created by nerdyKat	05/06/2018	Approved by	
Units in mm Scale 1:10		Document type	Document status		
		Title Cat Activity Centre	DWG No.		
		Rev.	Date of issue	Sheet 2/3	



Dept.	Technical reference	Created by nerdyKat	Approved by
		05/06/2018	
Units in mm		Document type	Document status
Scale 1:10		Title Cat Activity Centre	DWG No.
		Rev.	Date of issue
			Sheet 3/3