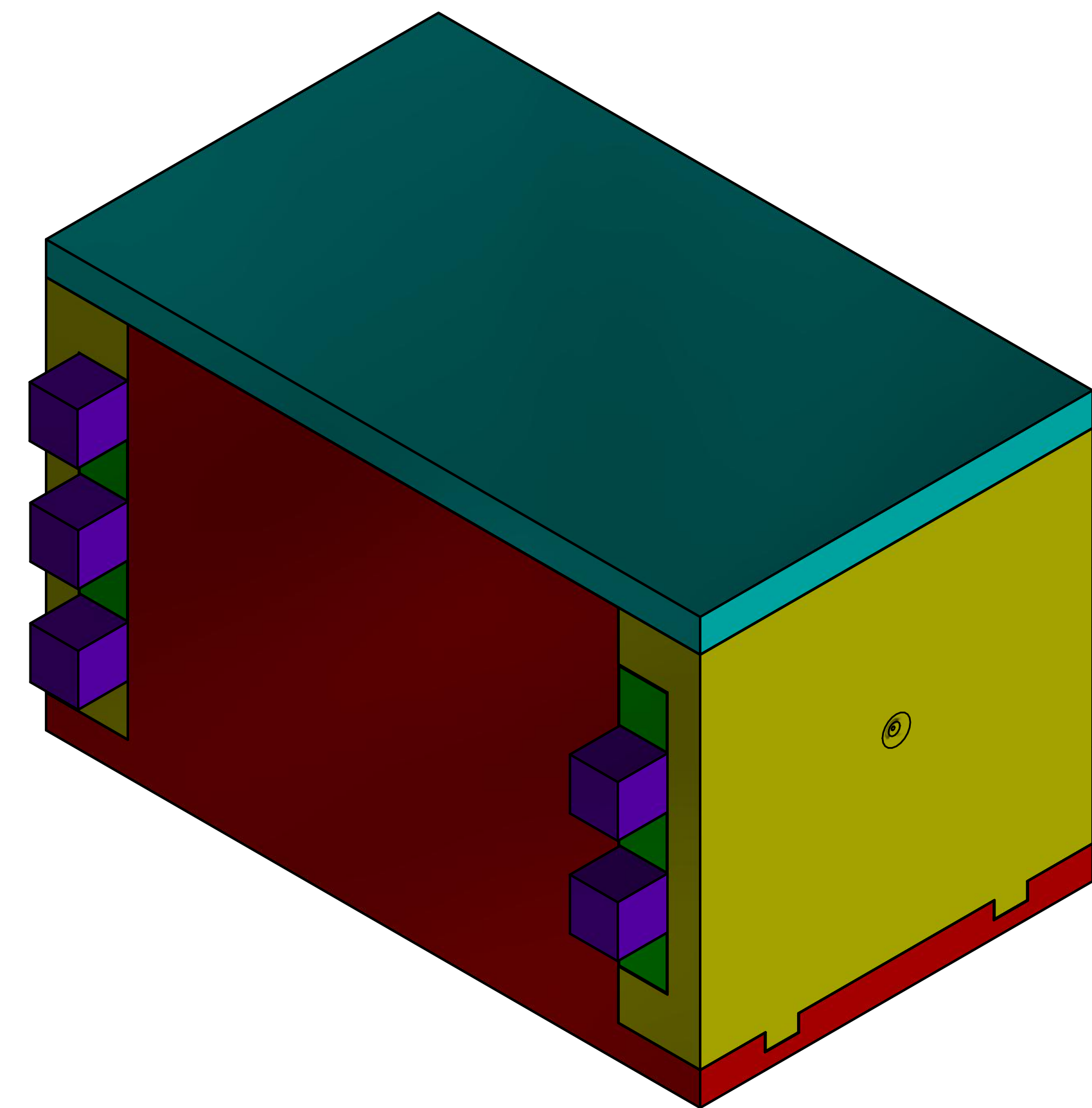
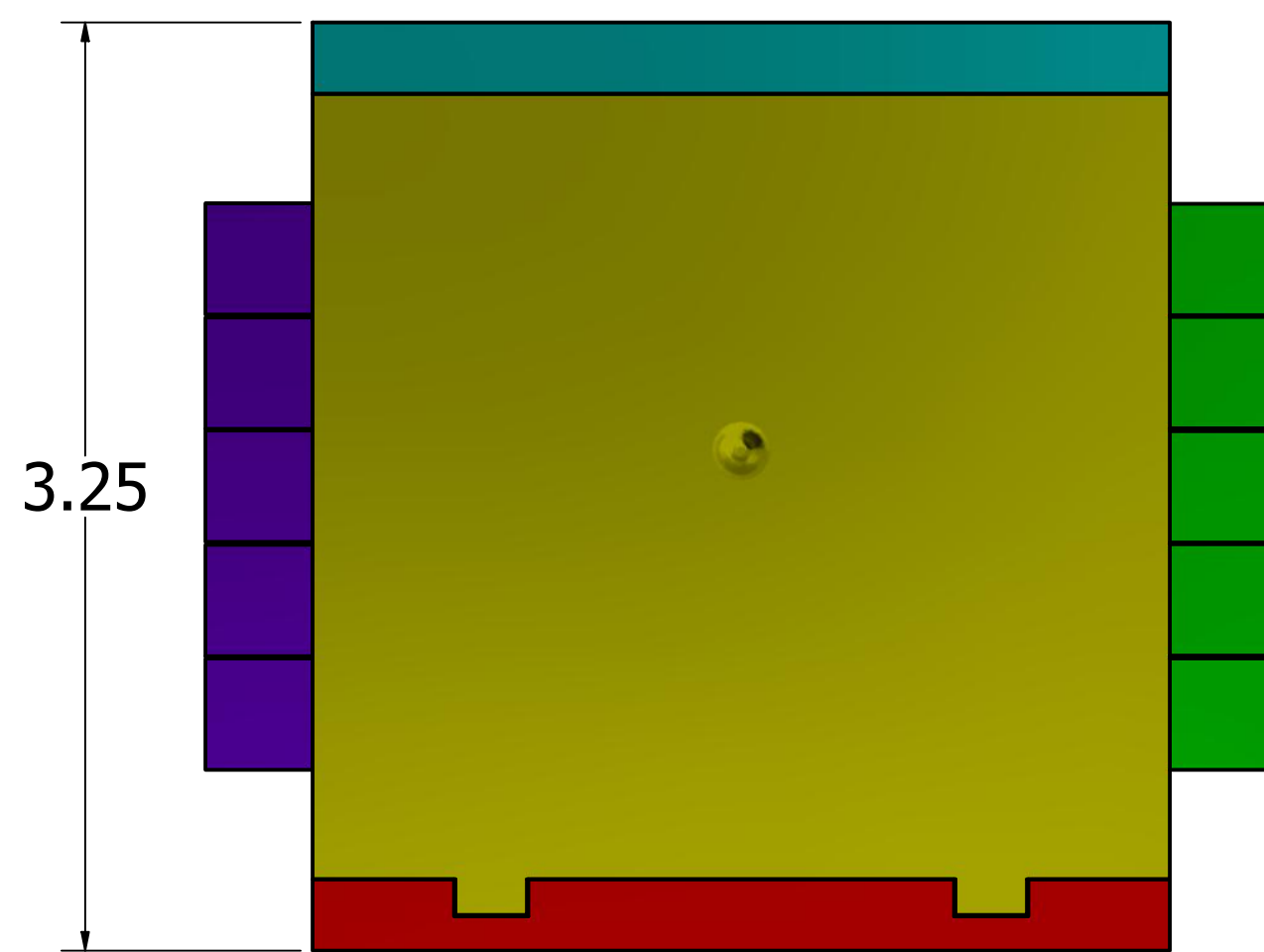
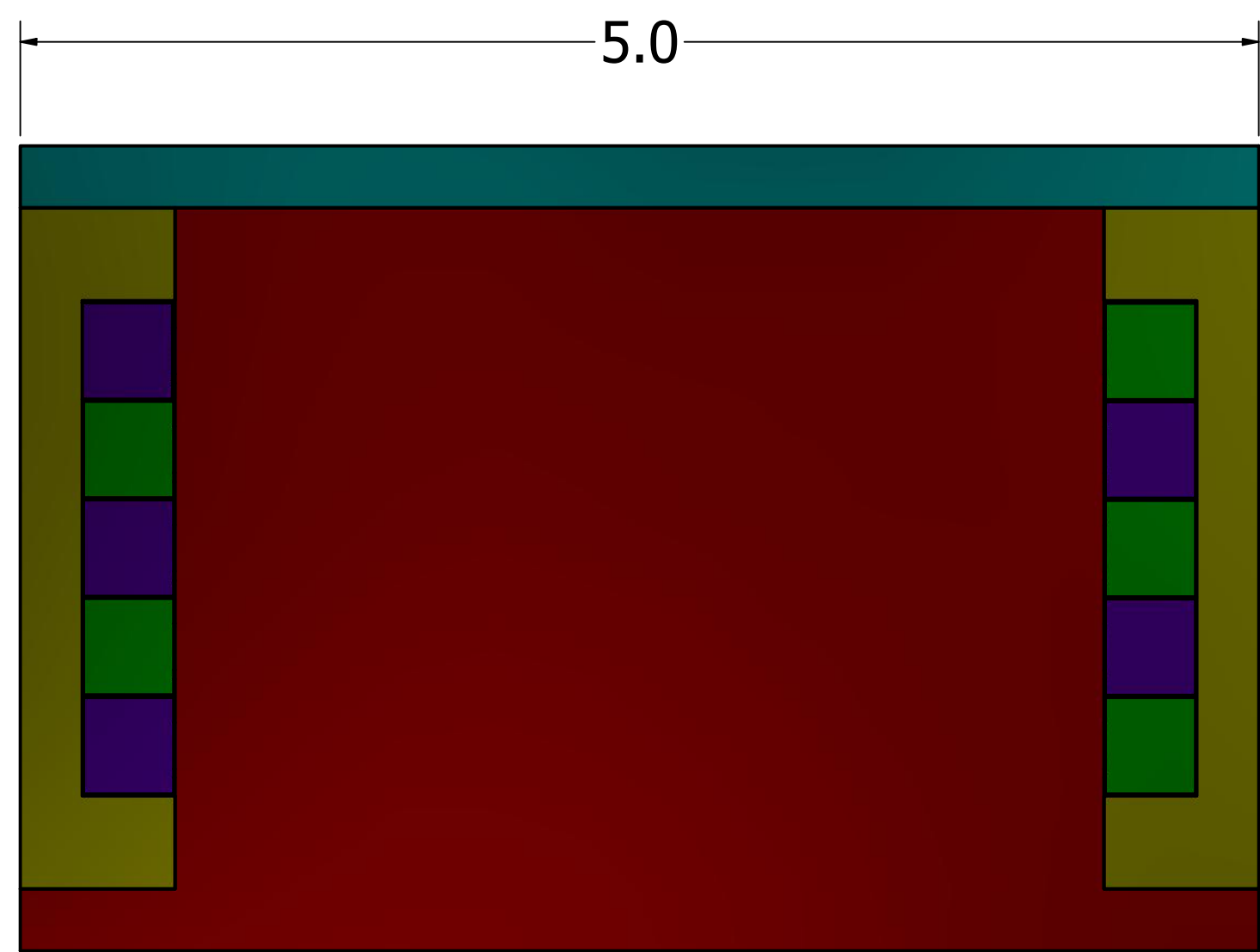
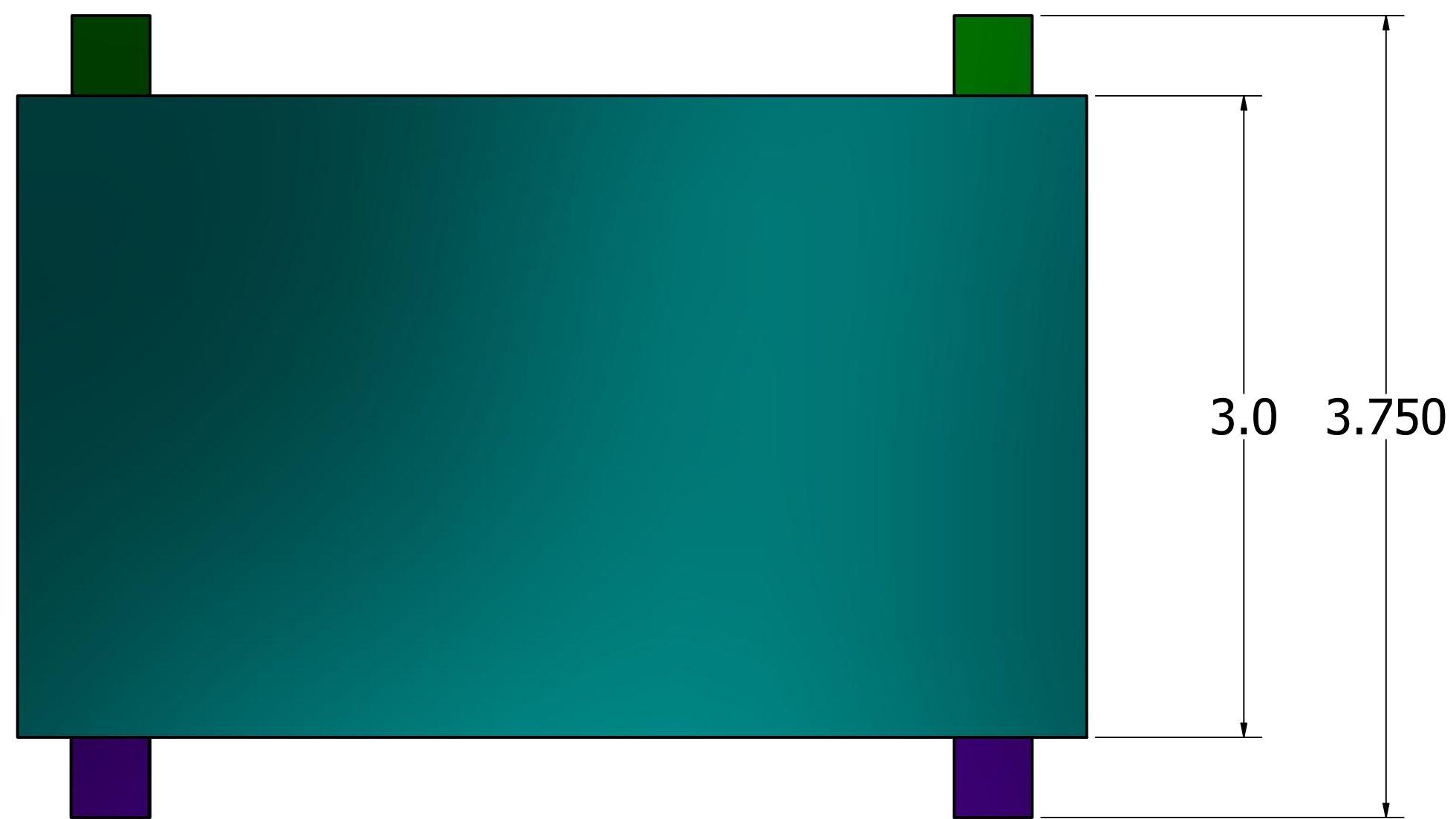


8 7 6 5 4 3 2 1

D

D



C

C

B

B

A

A

8 7 6 5 4 3 2 1

DRAWN		TITLE		
CHECKED				
QA				
MFG				
APPROVED				
		SIZE	DWG NO	REV
		D	Combo_Puzzle_Box	
		SCALE	1.5	SHEET 1 OF 8

8 7 6 5 4 3 2 1

D

D

C

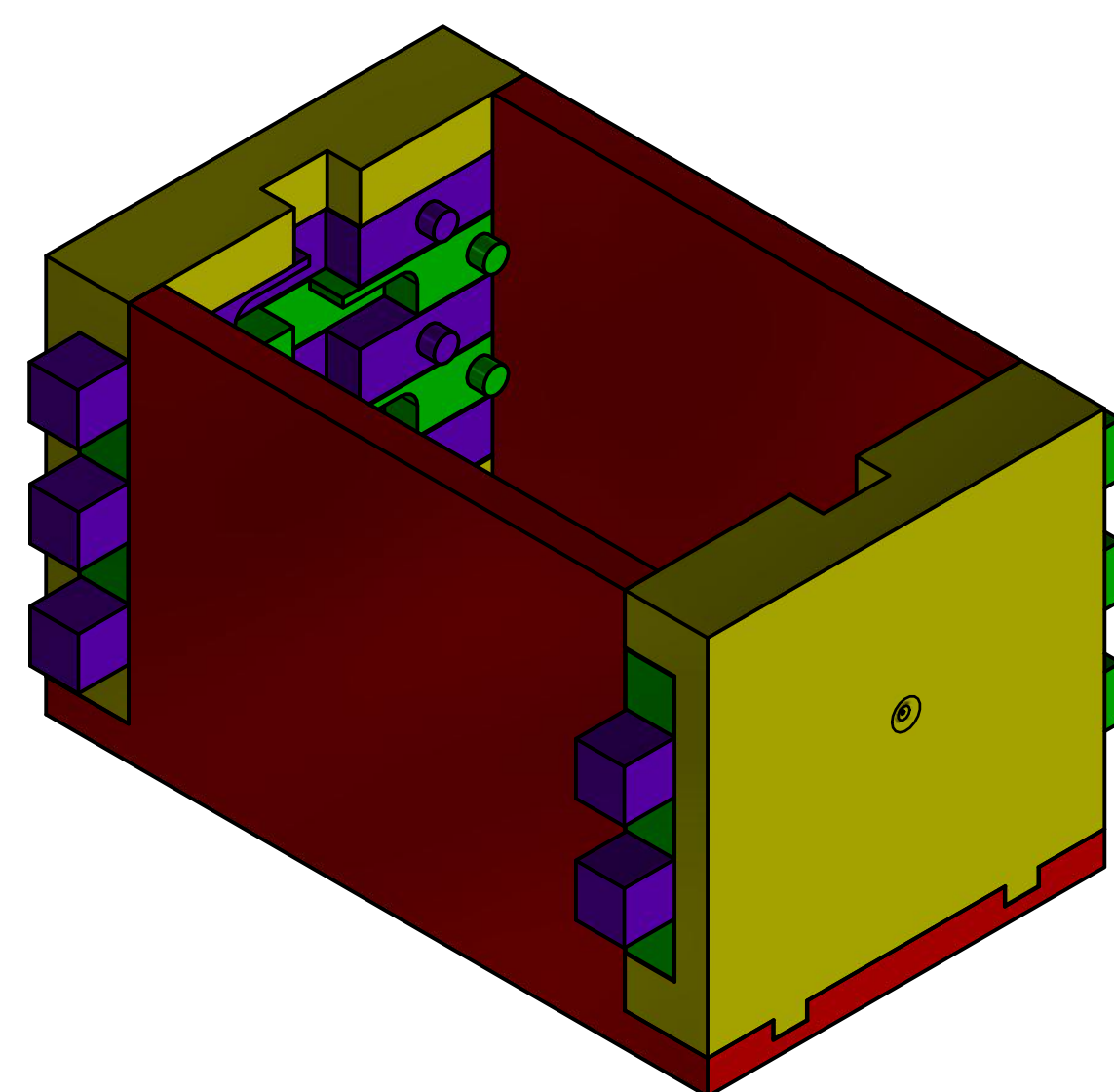
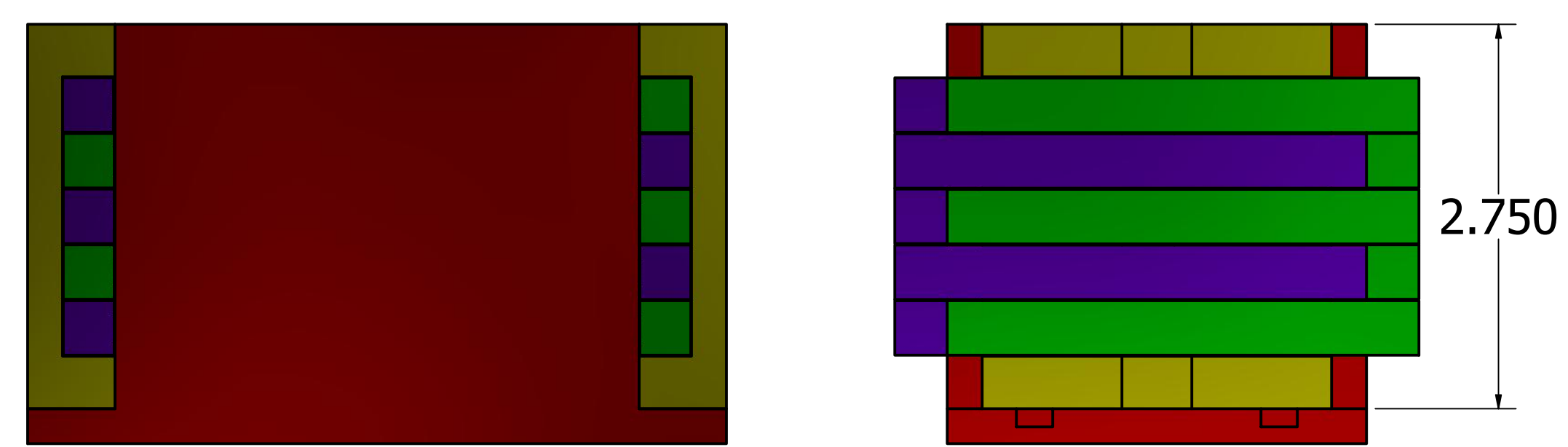
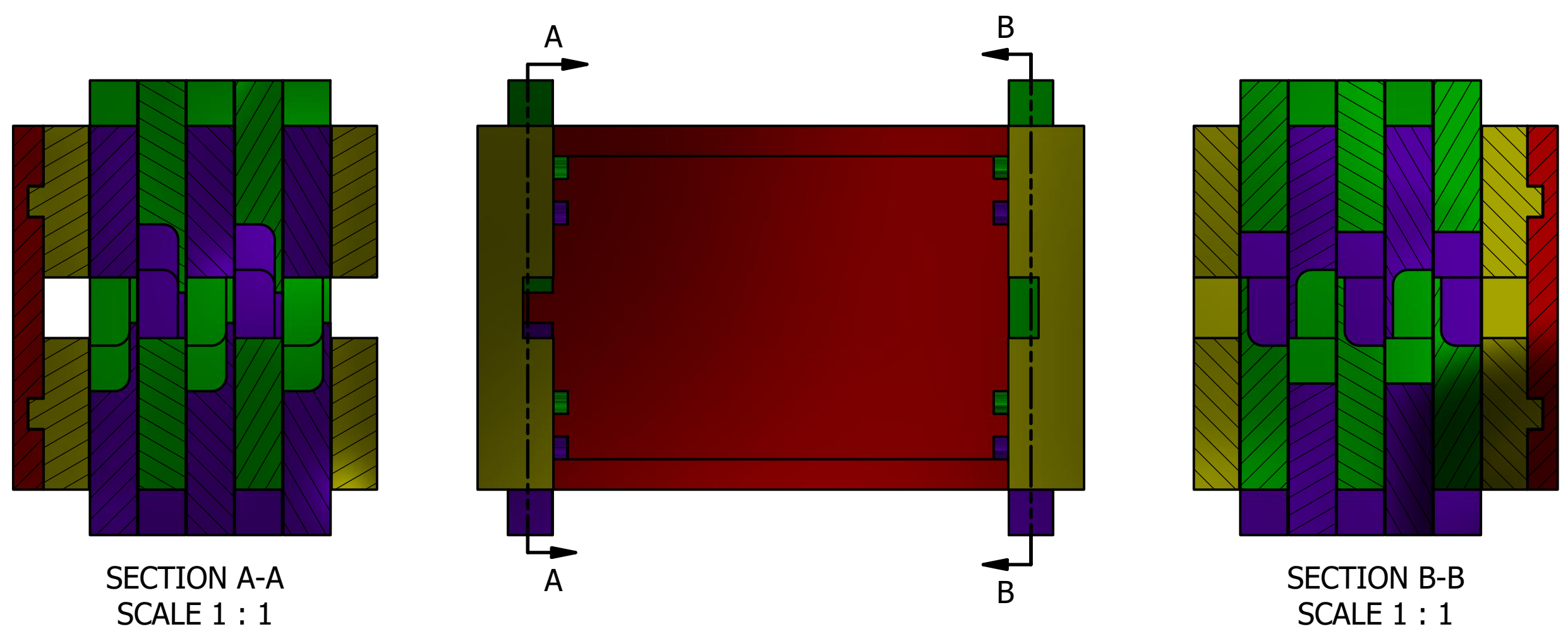
C

B

B

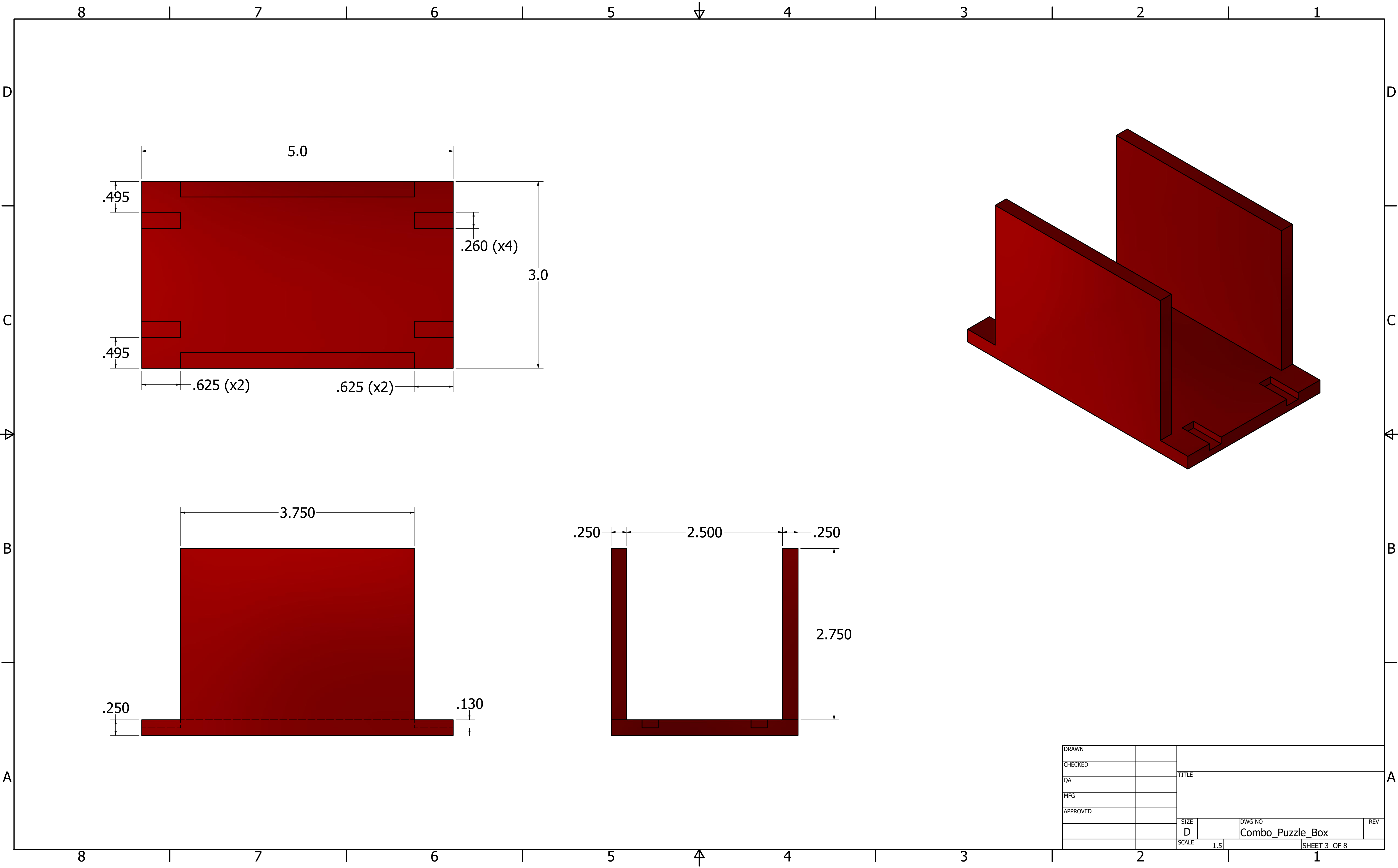
A

A



DRAWN		TITLE		
CHECKED				
QA				
MFG				
APPROVED		SIZE	DWG NO	REV
		D	Combo_Puzzle_Box	
		SCALE	1 : 1	SHEET 2 OF 8

8 7 6 5 4 3 2 1



DRAWN		TITLE		
CHECKED		TITLE		
QA		TITLE		
MFG		TITLE		
APPROVED		TITLE		
		SIZE	DWG NO	REV
		D	Combo_Puzzle_Box	
		SCALE	1.5	SHEET 3 OF 8

8 7 6 5 4 3 2 1

D

D

C

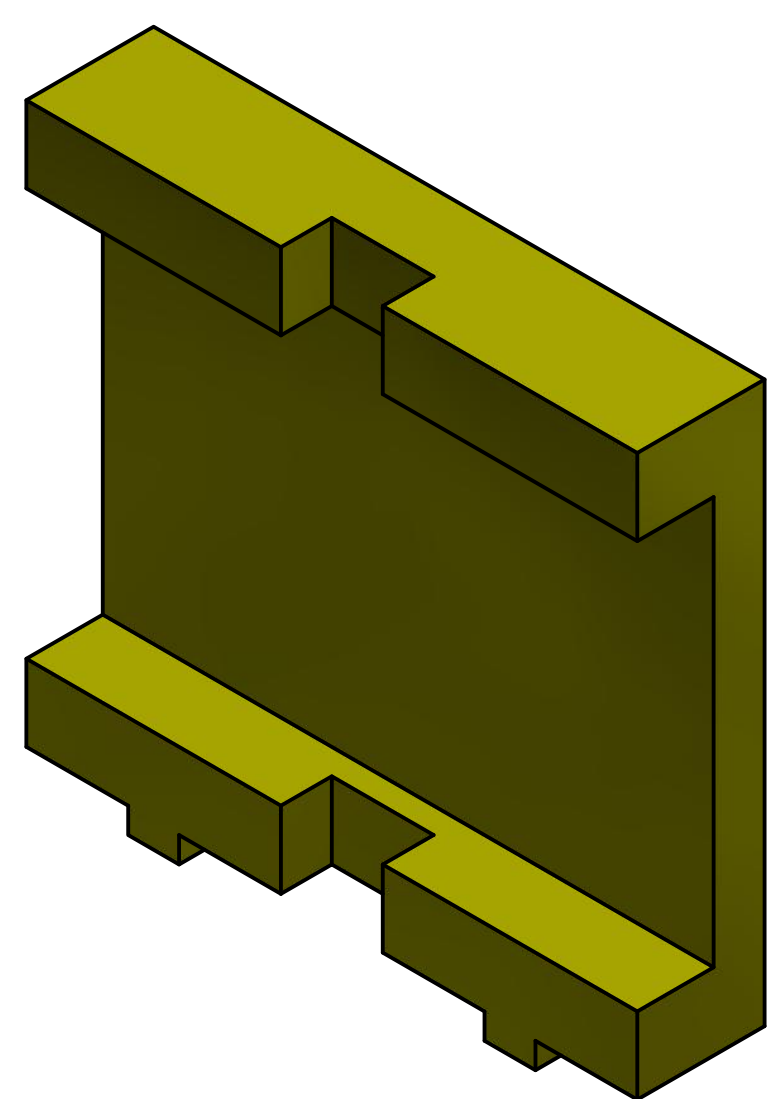
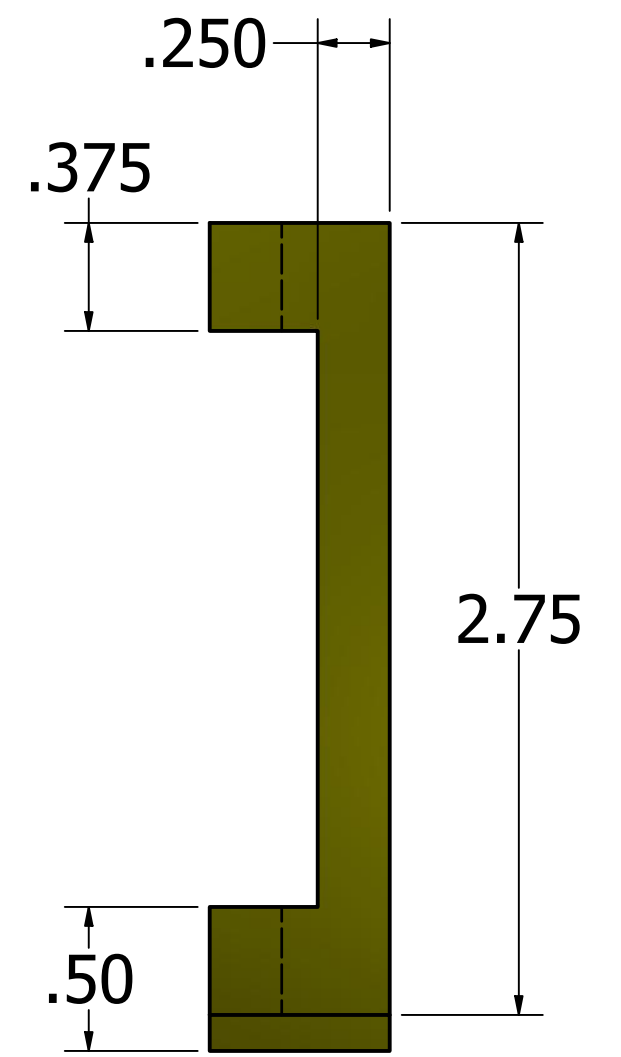
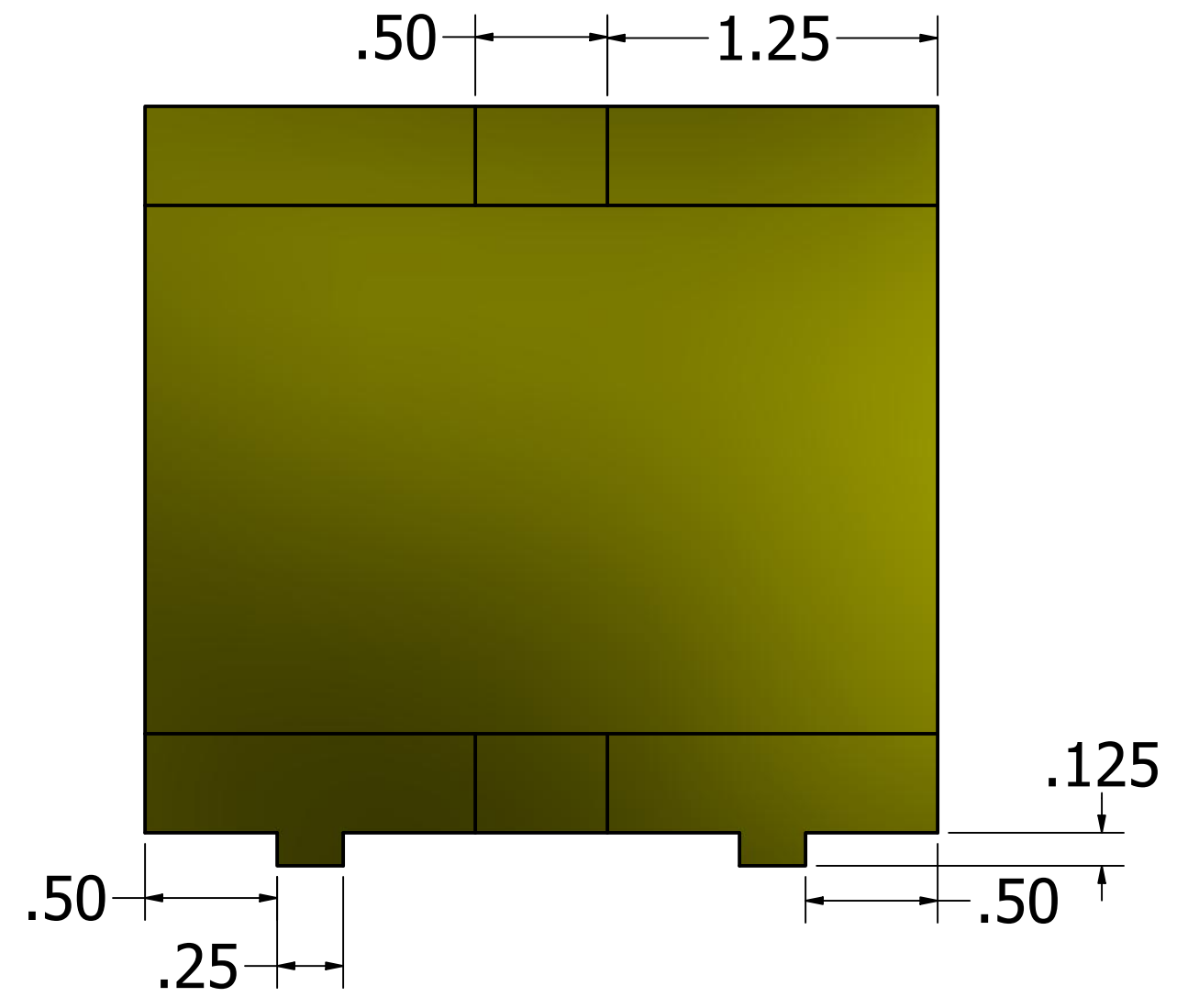
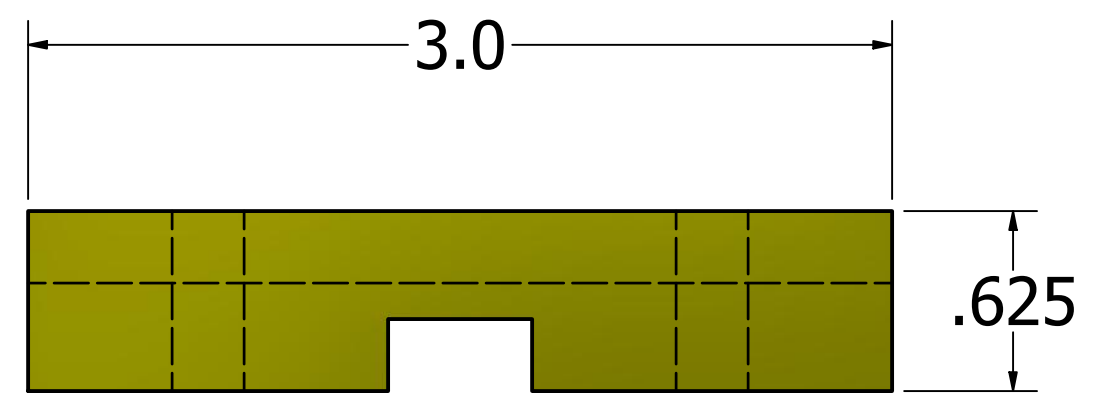
C

B

B

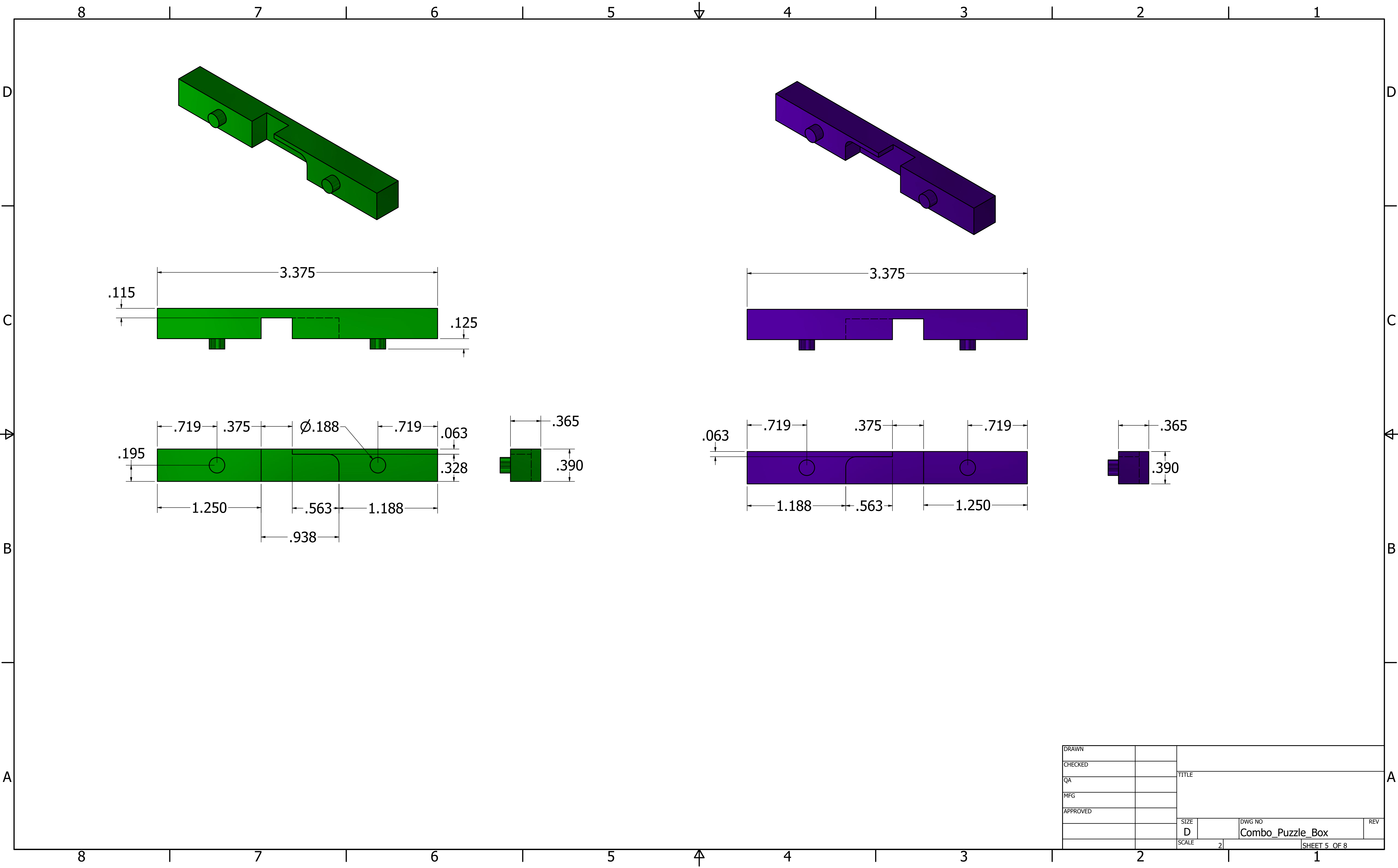
A

A



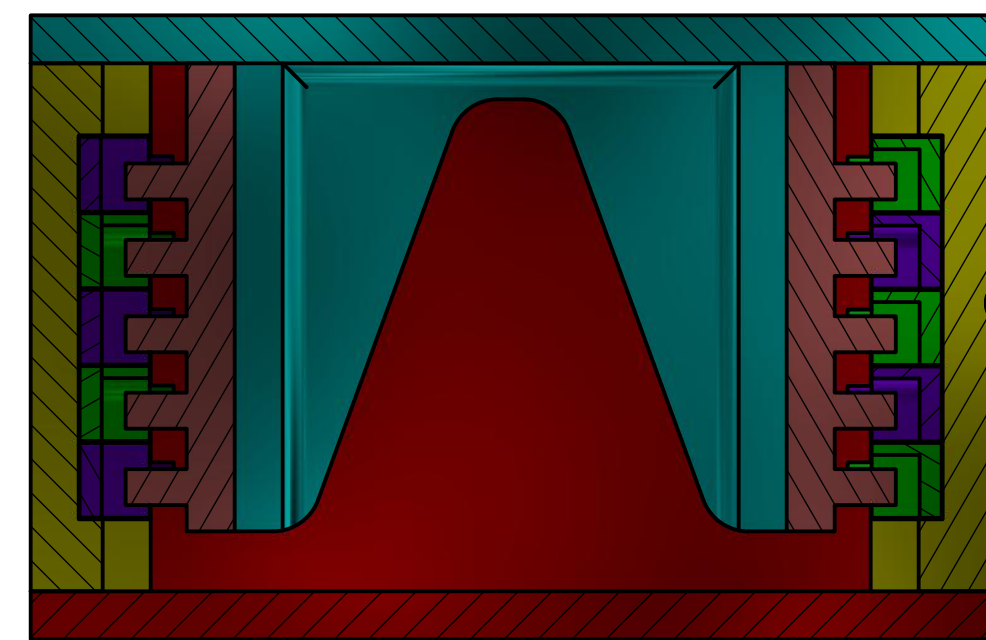
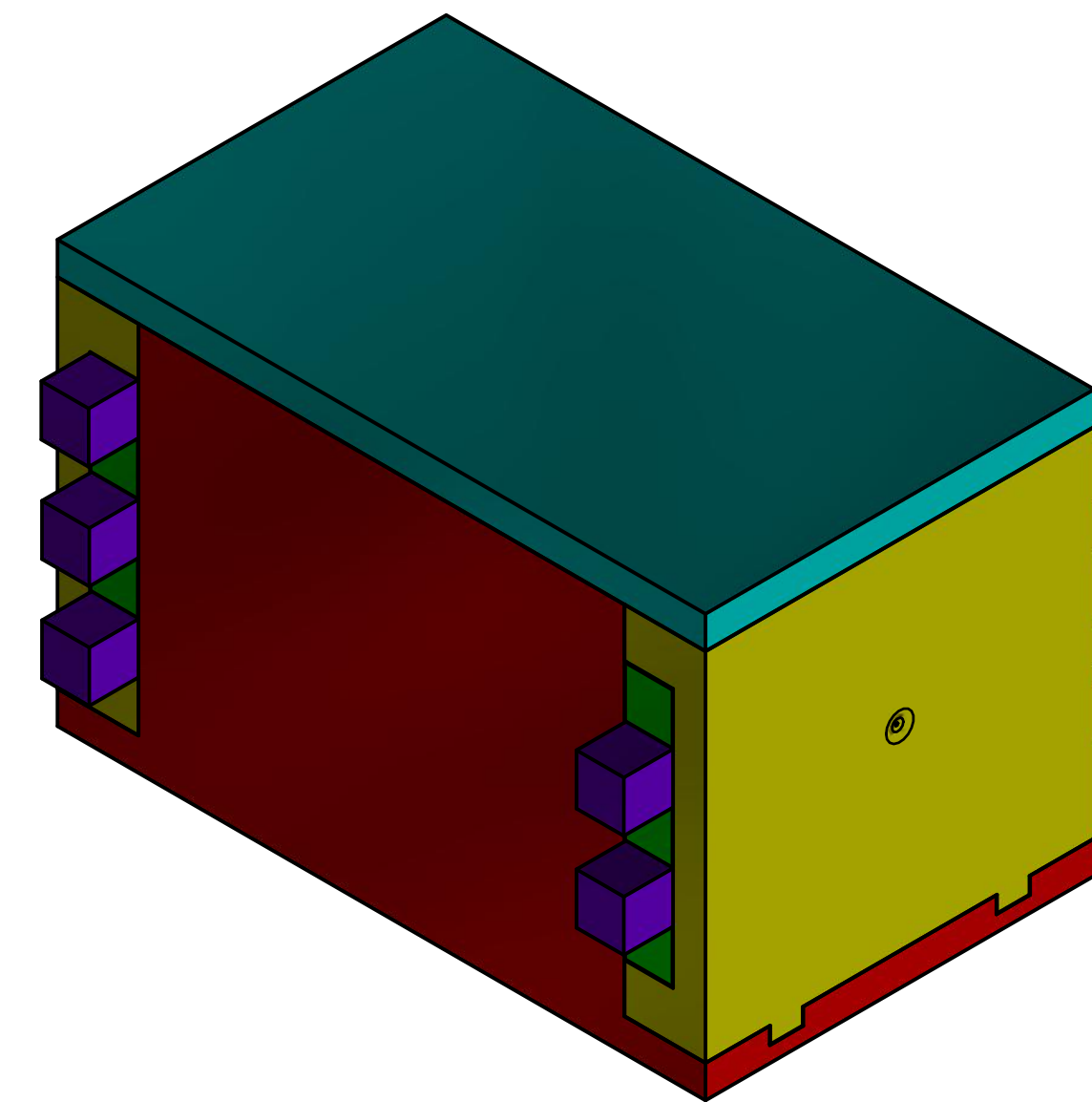
DRAWN		TITLE		
CHECKED		TITLE		
QA		TITLE		
MFG		TITLE		
APPROVED		TITLE		
		SIZE	DWG NO	REV
		D	Combo_Puzzle_Box	
		SCALE	1.5	SHEET 4 OF 8

8 7 6 5 4 3 2 1

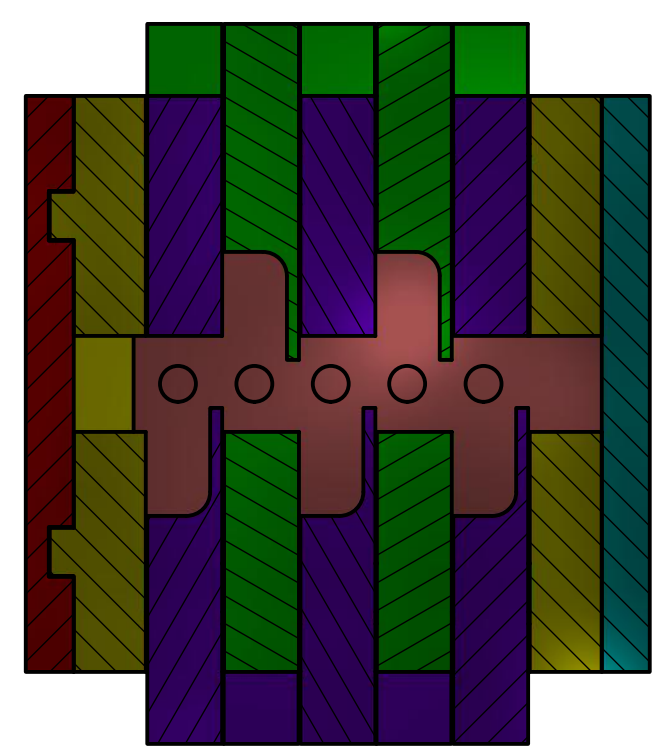


DRAWN				
CHECKED		TITLE		
QA				
MFG				
APPROVED				
		SIZE	DWG NO	REV
		D	Combo_Puzzle_Box	
		SCALE	2	SHEET 5 OF 8

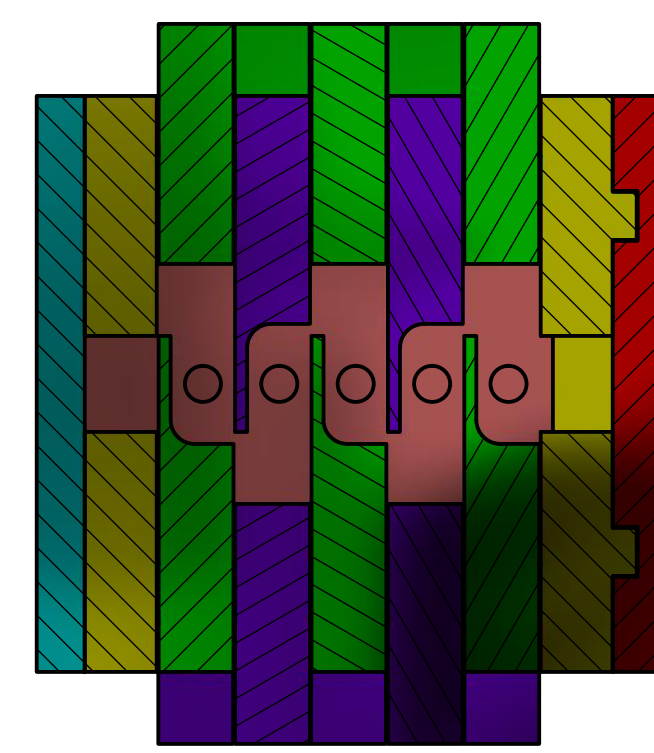
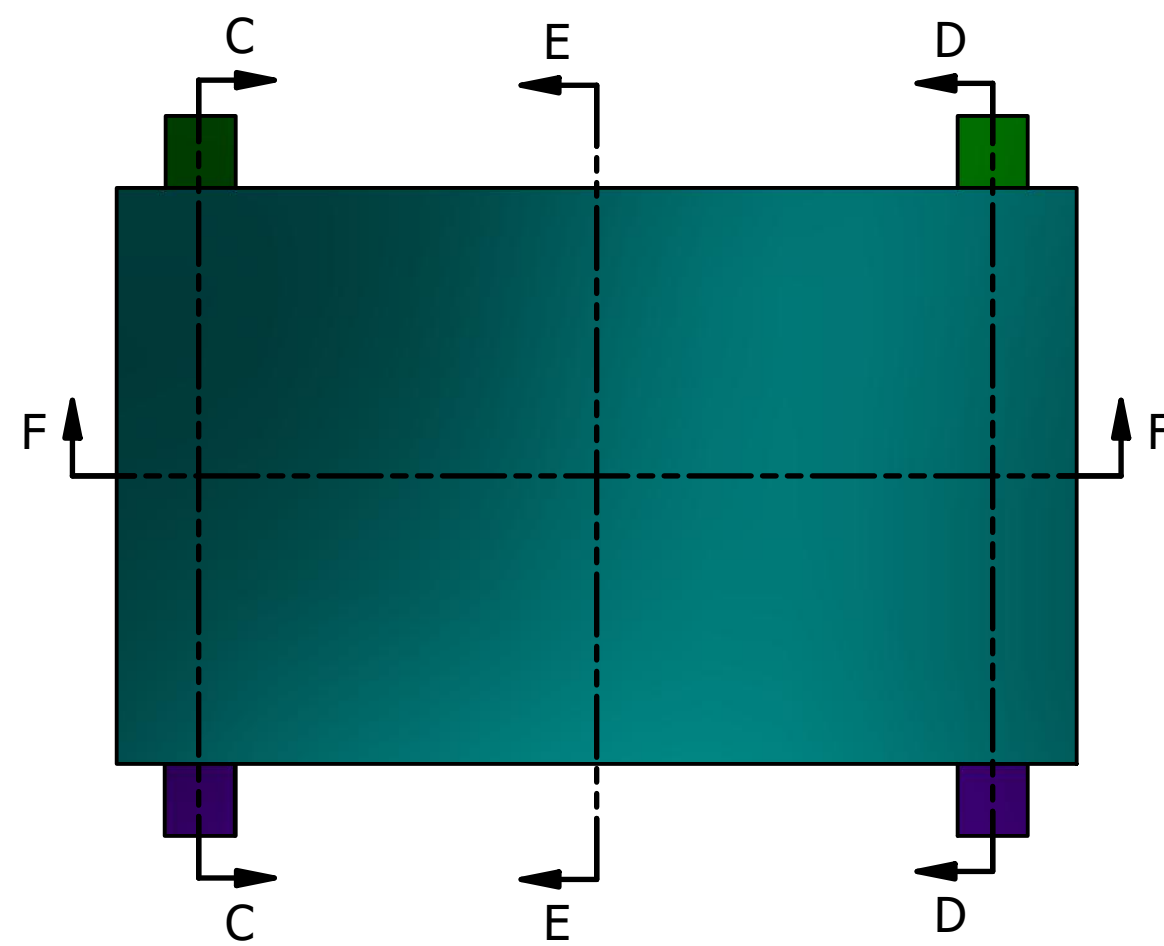
8 7 6 5 4 3 2 1



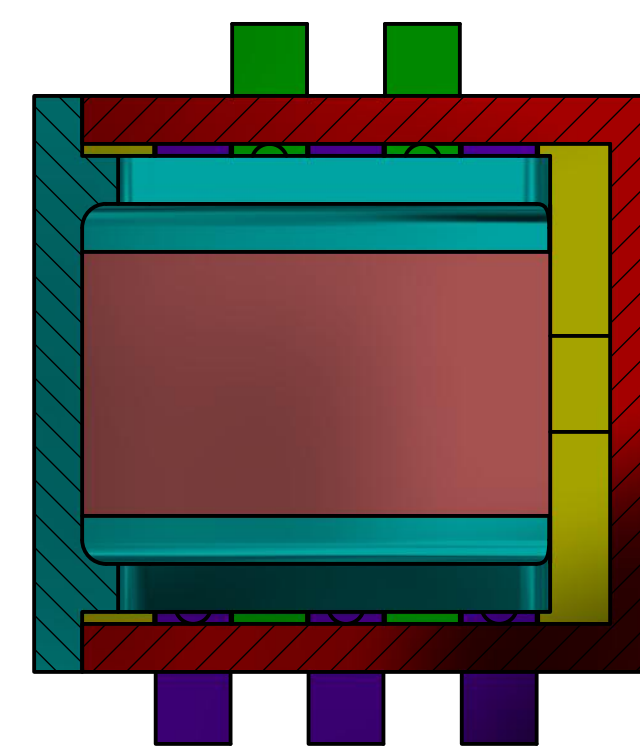
SECTION F-F
SCALE 1 : 1



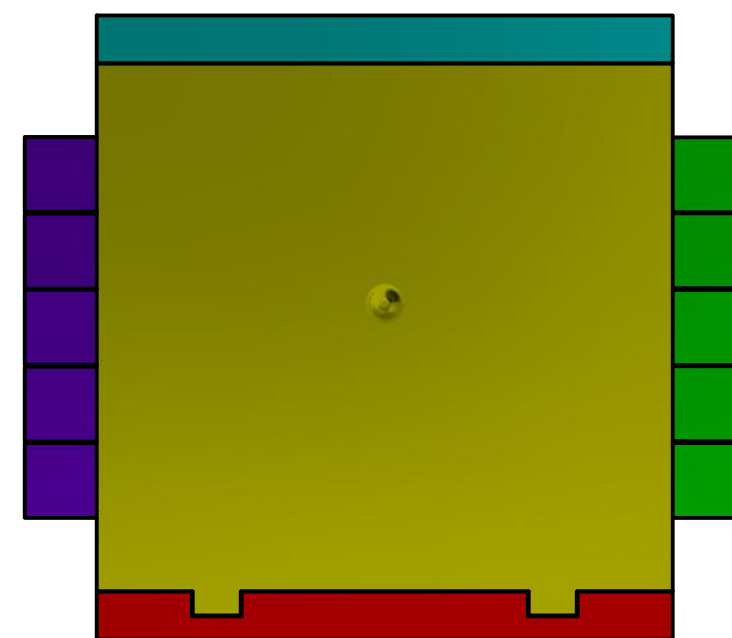
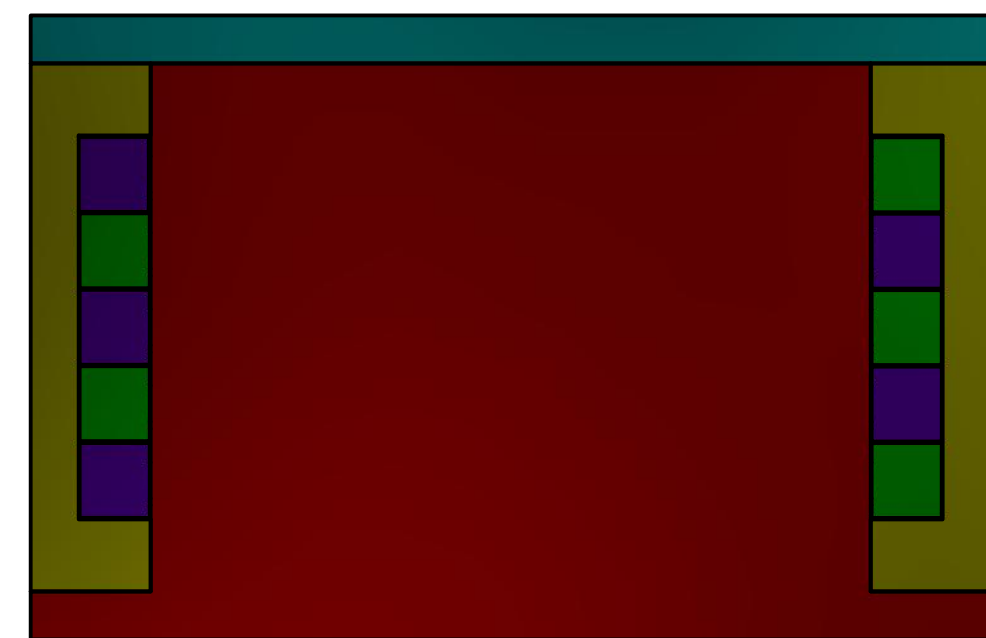
SECTION C-C
SCALE 1 : 1
(SHOWN IN OPENED POSITION)



SECTION D-D
SCALE 1 : 1
(SHOWN IN CLOSED POSITION)



SECTION E-E
SCALE 1 : 1



D

D

C

C

B

B

A

A

8 7 6 5 4 3 2 1

DRAWN		TITLE		
CHECKED				
QA				
MFG				
APPROVED		SIZE	DWG NO	REV
		D	Combo_Puzzle_Box	
		SCALE	1 : 1	SHEET 6 OF 8

8 7 6 5 4 3 2 1

D

D

C

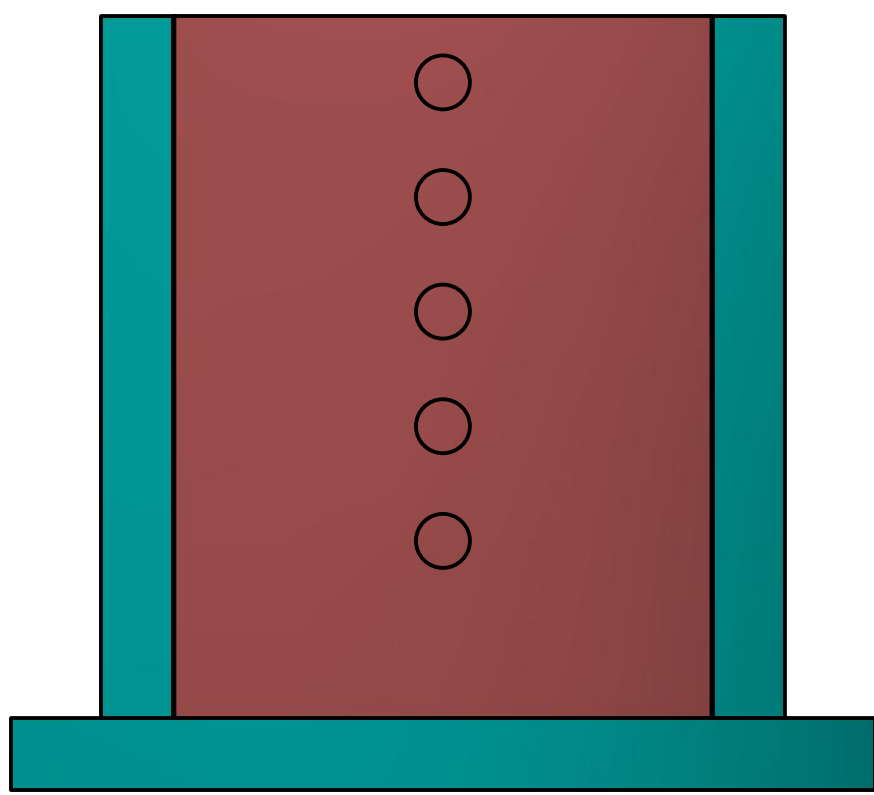
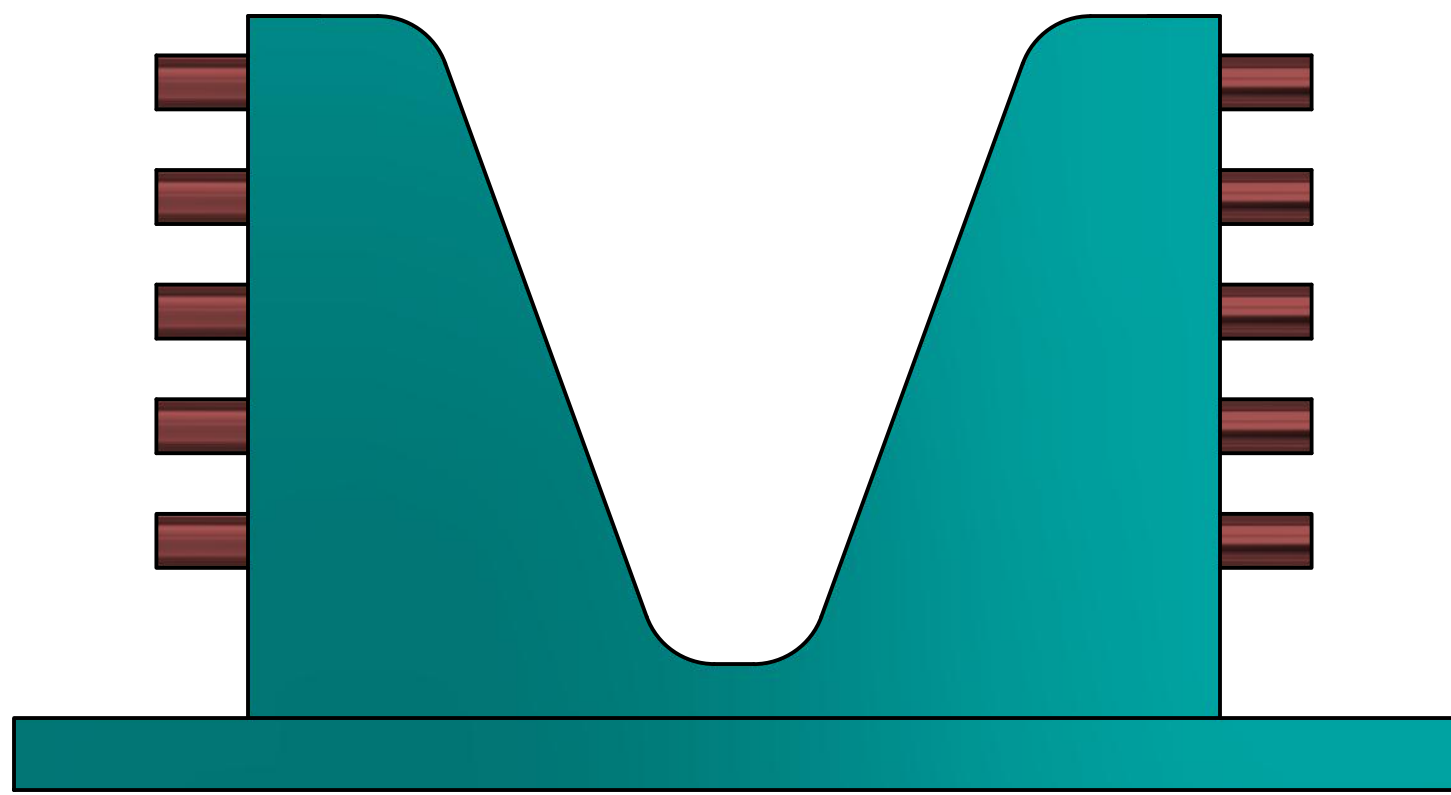
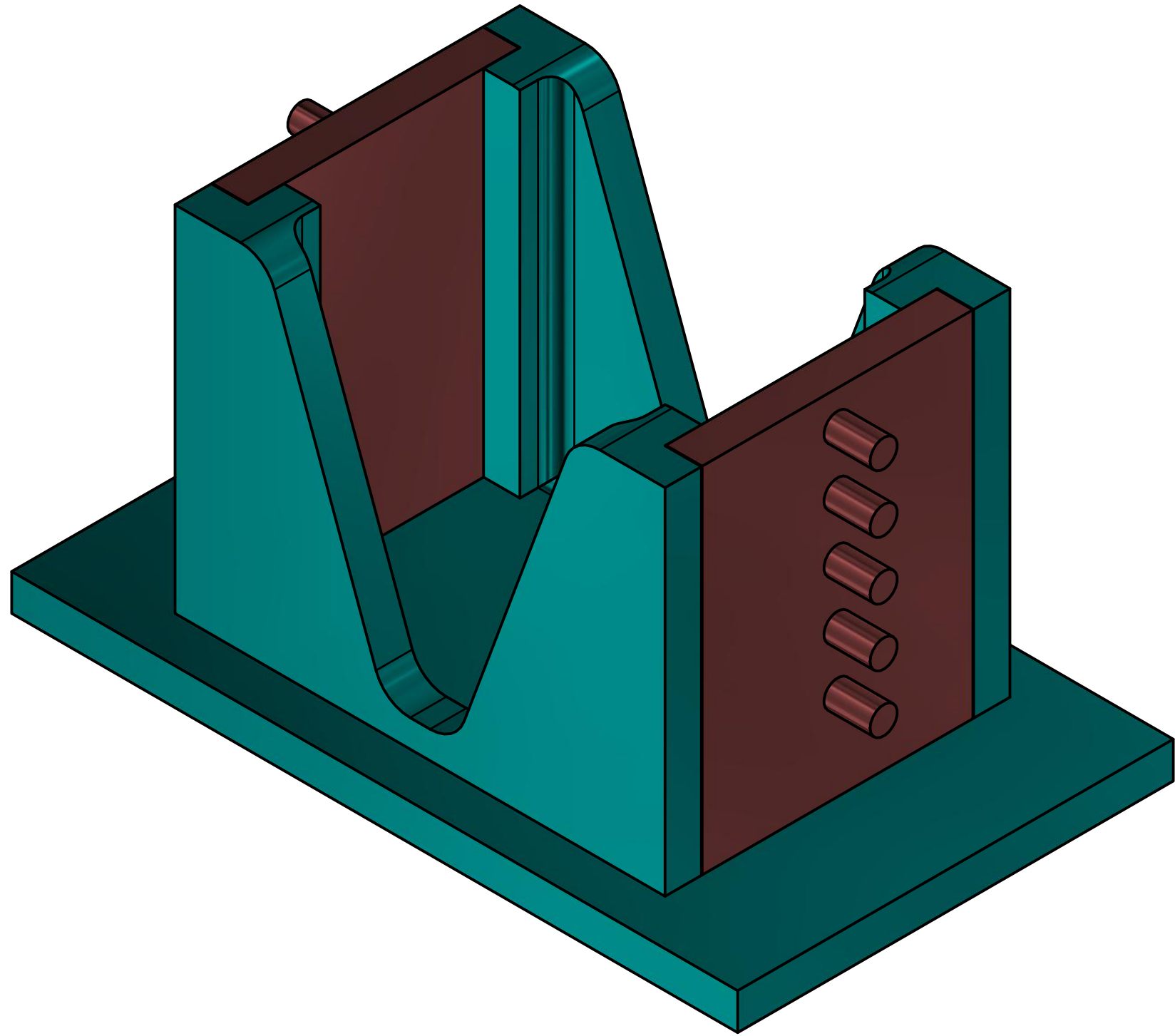
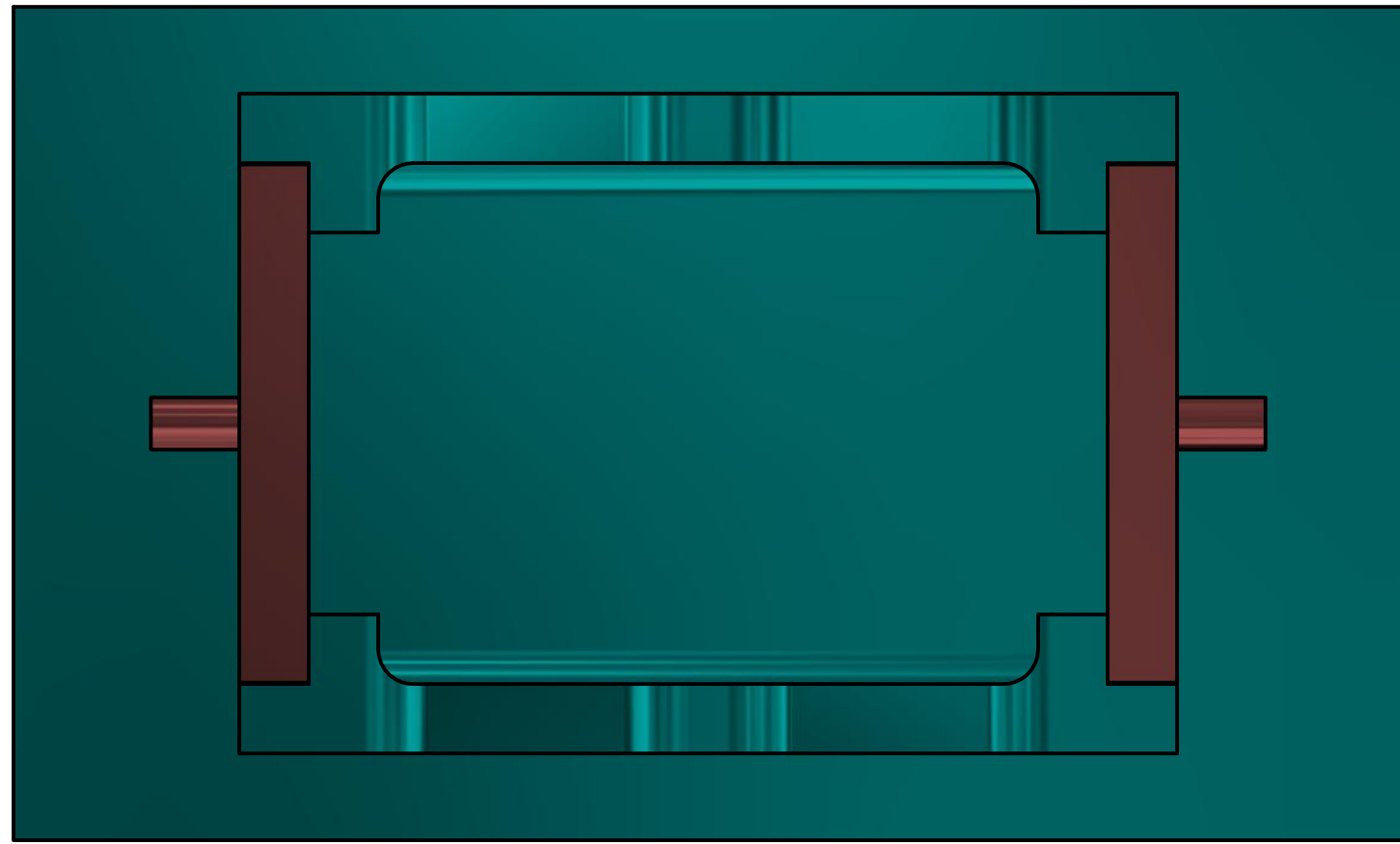
C

B

B

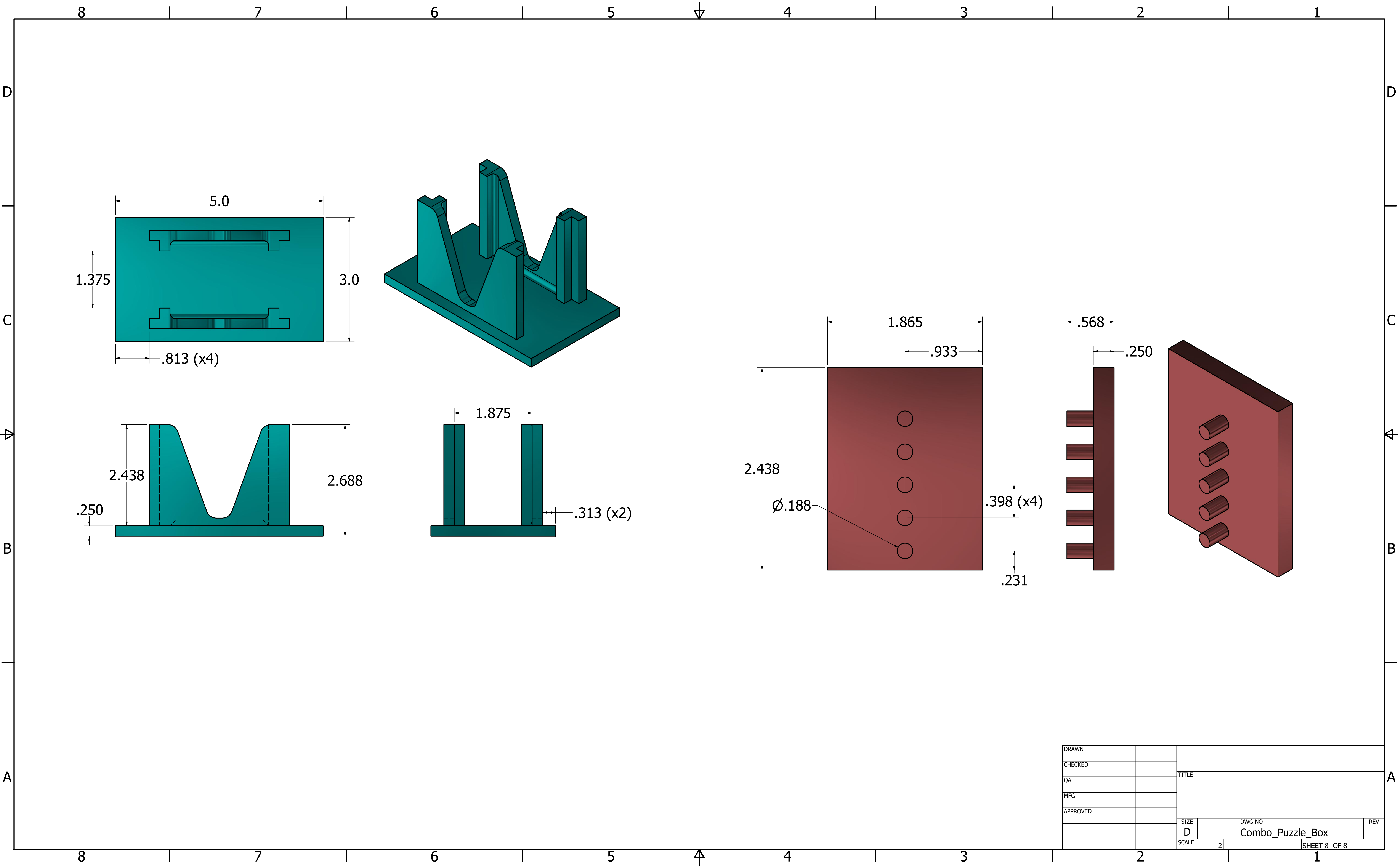
A

A



DRAWN		TITLE		
CHECKED				
QA				
MFG				
APPROVED				
		SIZE	DWG NO	REV
		D	Combo_Puzzle_Box	
		SCALE	1.5	SHEET 7 OF 8

8 7 6 5 4 3 2 1



DRAWN		TITLE		
CHECKED				
QA				
MFG				
APPROVED				
		SIZE	DWG NO	REV
		D	Combo_Puzzle_Box	
		SCALE	2	SHEET 8 OF 8