

8 7 6 5 4 3 2 1

D

D

C

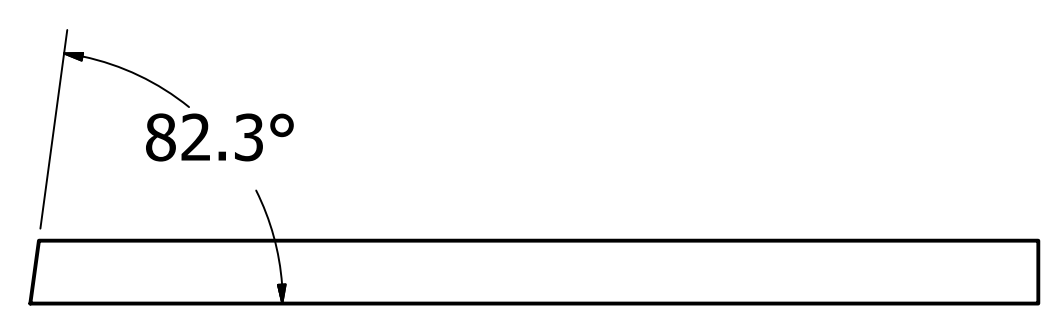
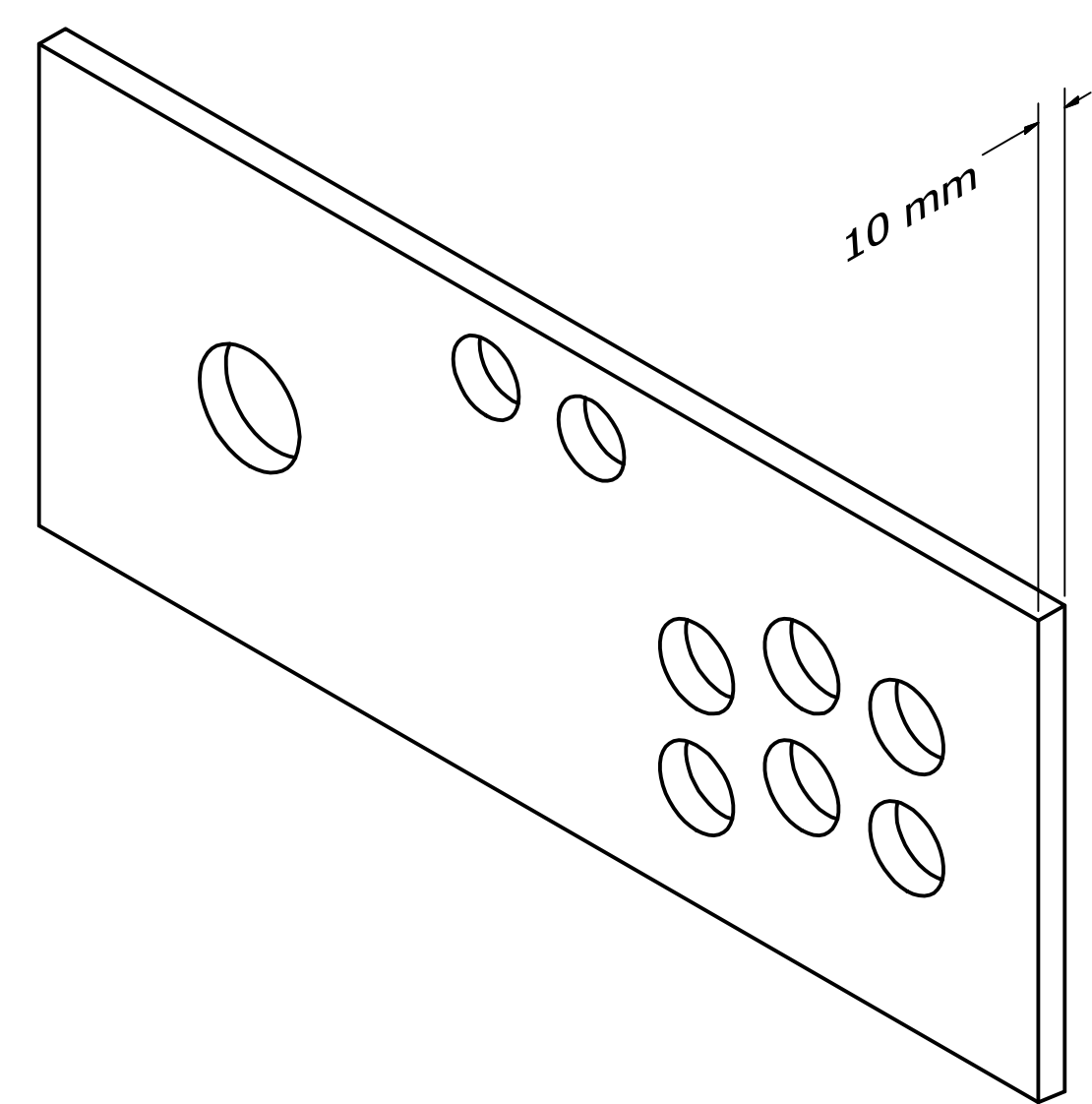
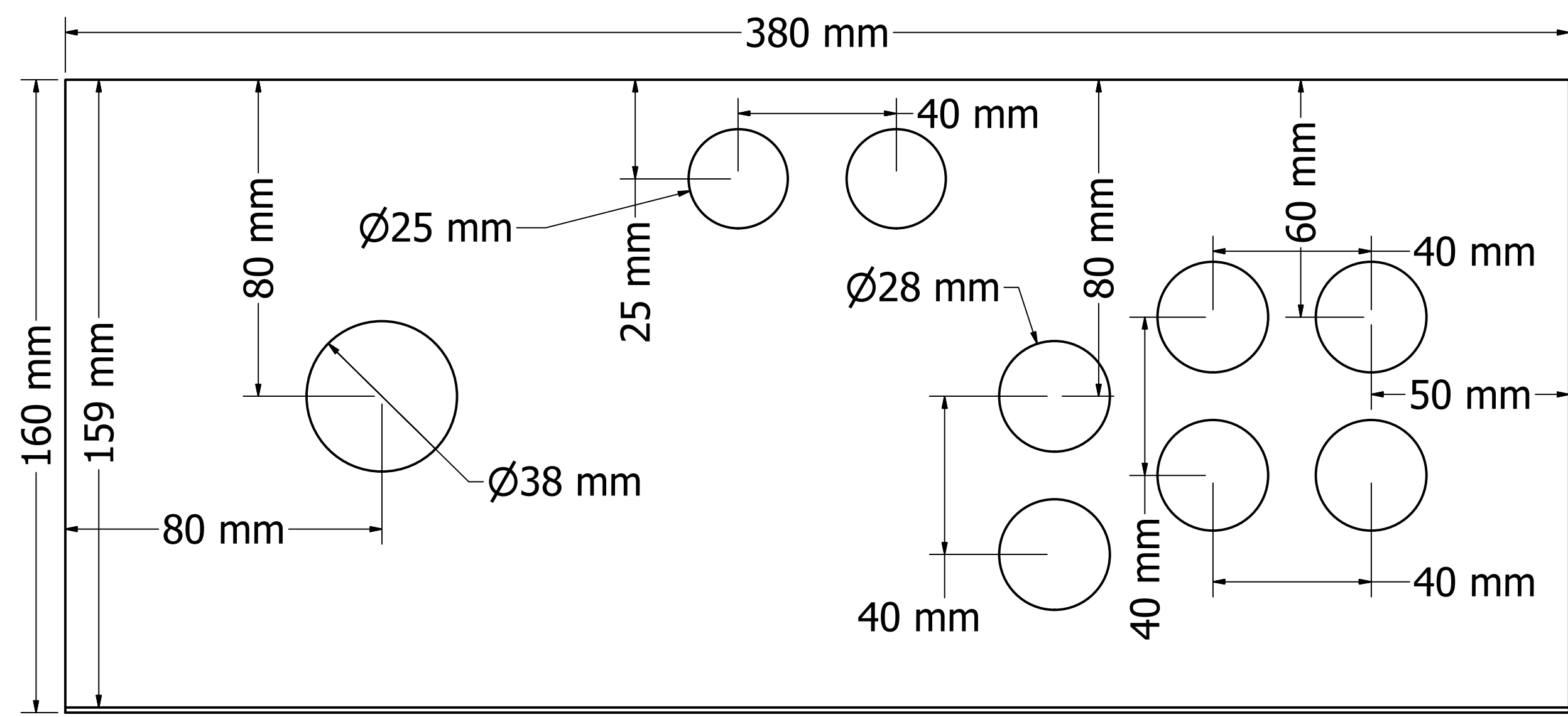
C

B

B

A

A



DRAWN	Mi. Vasilakis	1/3/2020	TITLE		
CHECKED			CONTROLS		
QA			SIZE	DWG NO	REV
MFG			D	Controls	
APPROVED			SCALE	1/1.2	SHEET 1 OF 1

8 7 6 5 4 3 2 1