

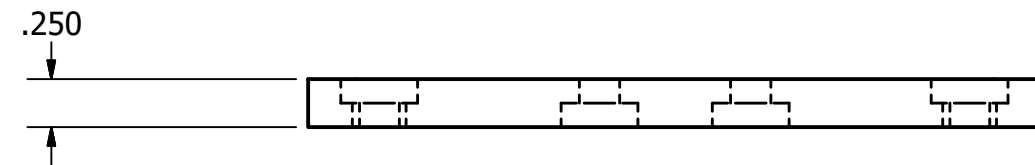
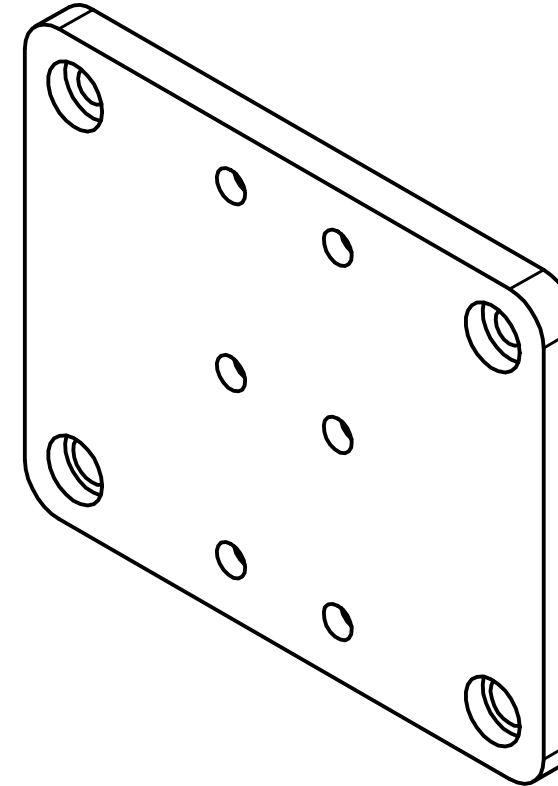
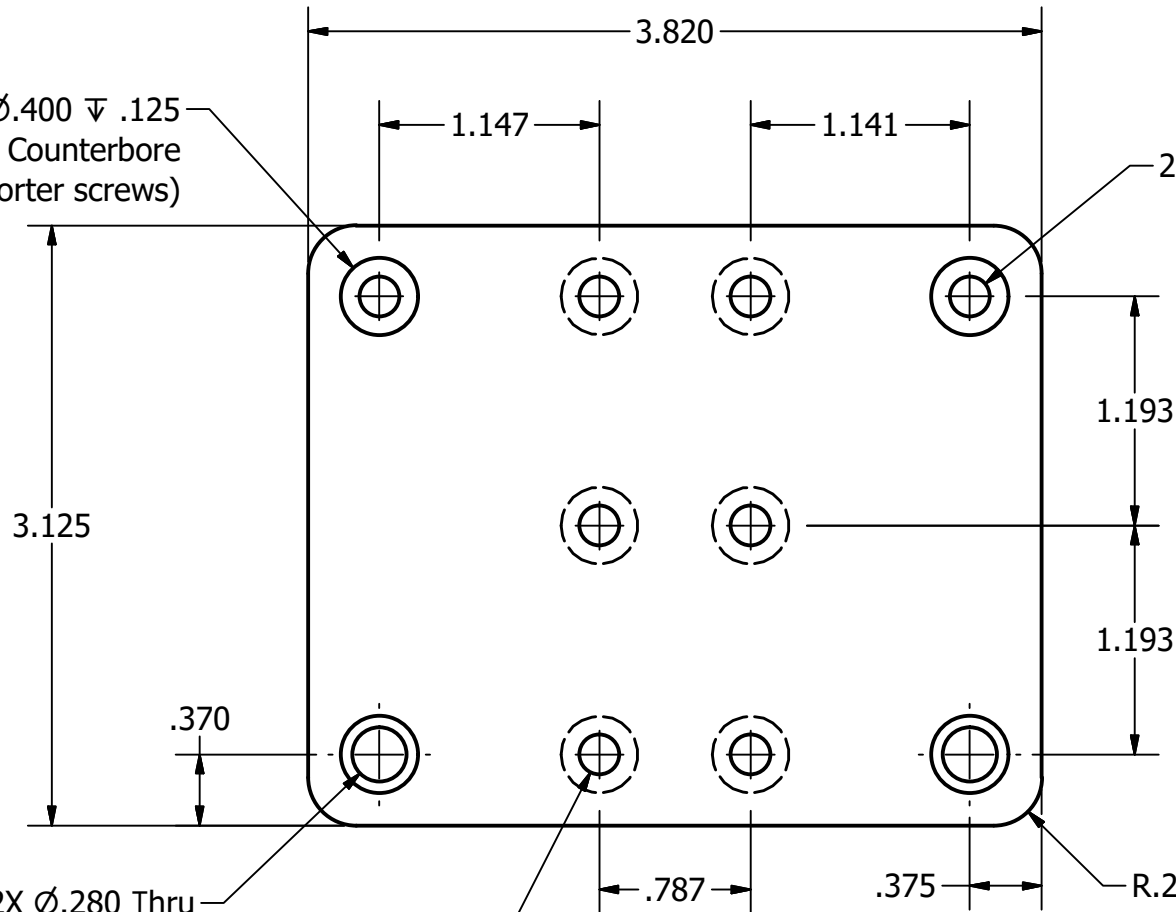
10X \varnothing .400 ∇ .125
(Hardware Counterbore
to fit shorter screws)

2X \varnothing .209 Thru

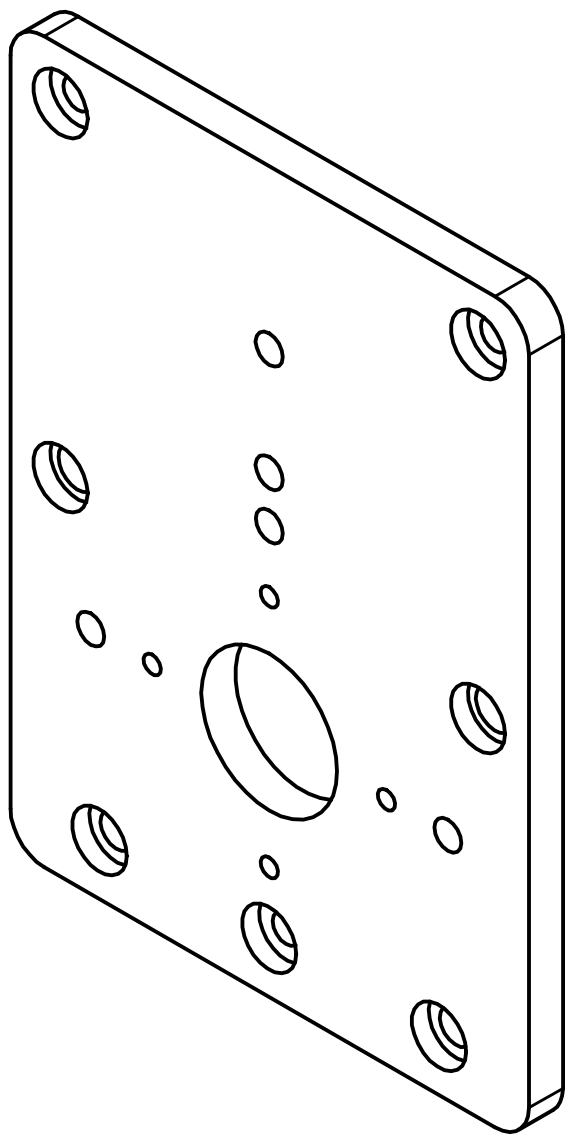
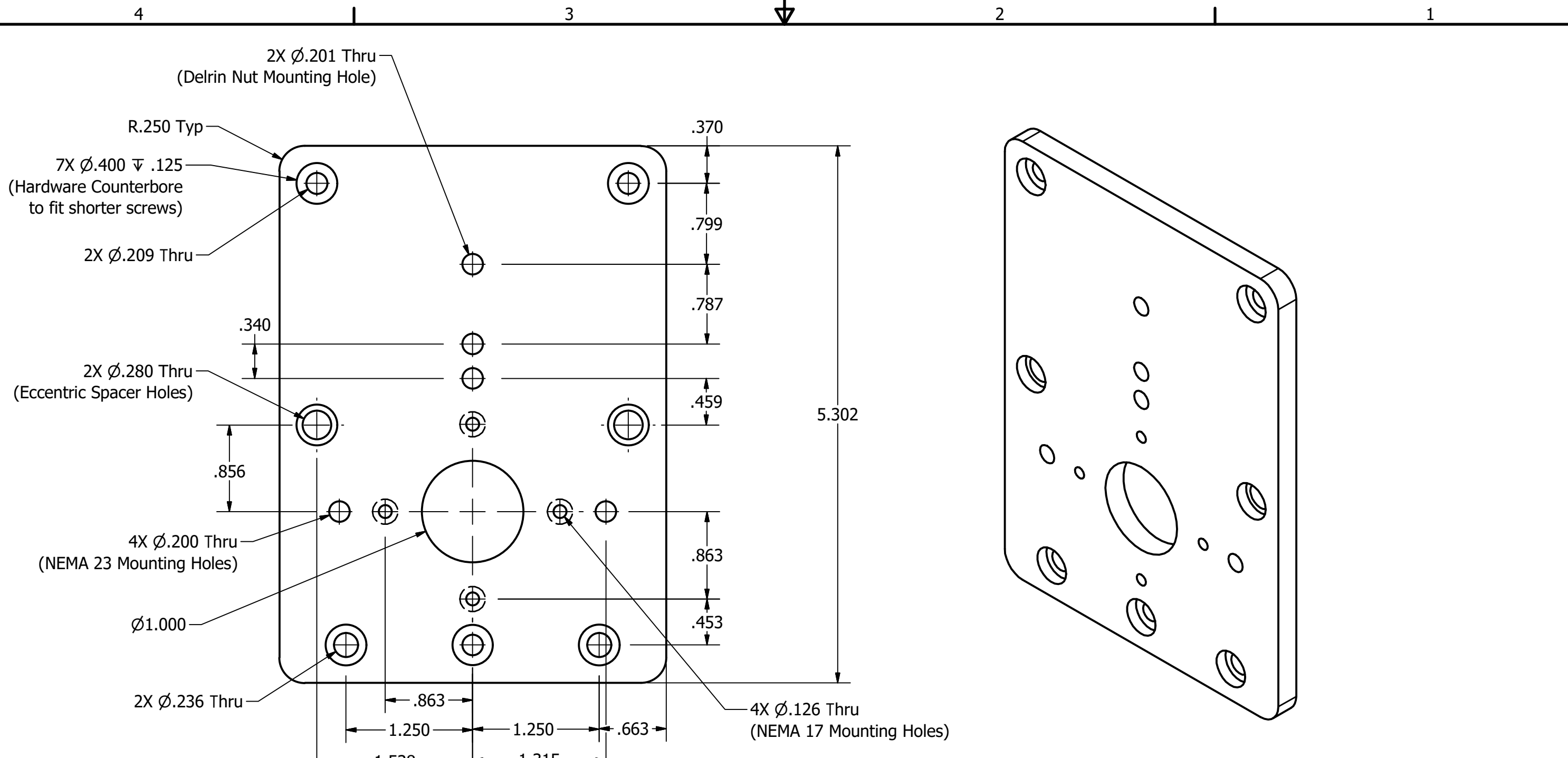
2X \varnothing .280 Thru
(Eccentric Spacer Holes)

6X \varnothing .209 Thru

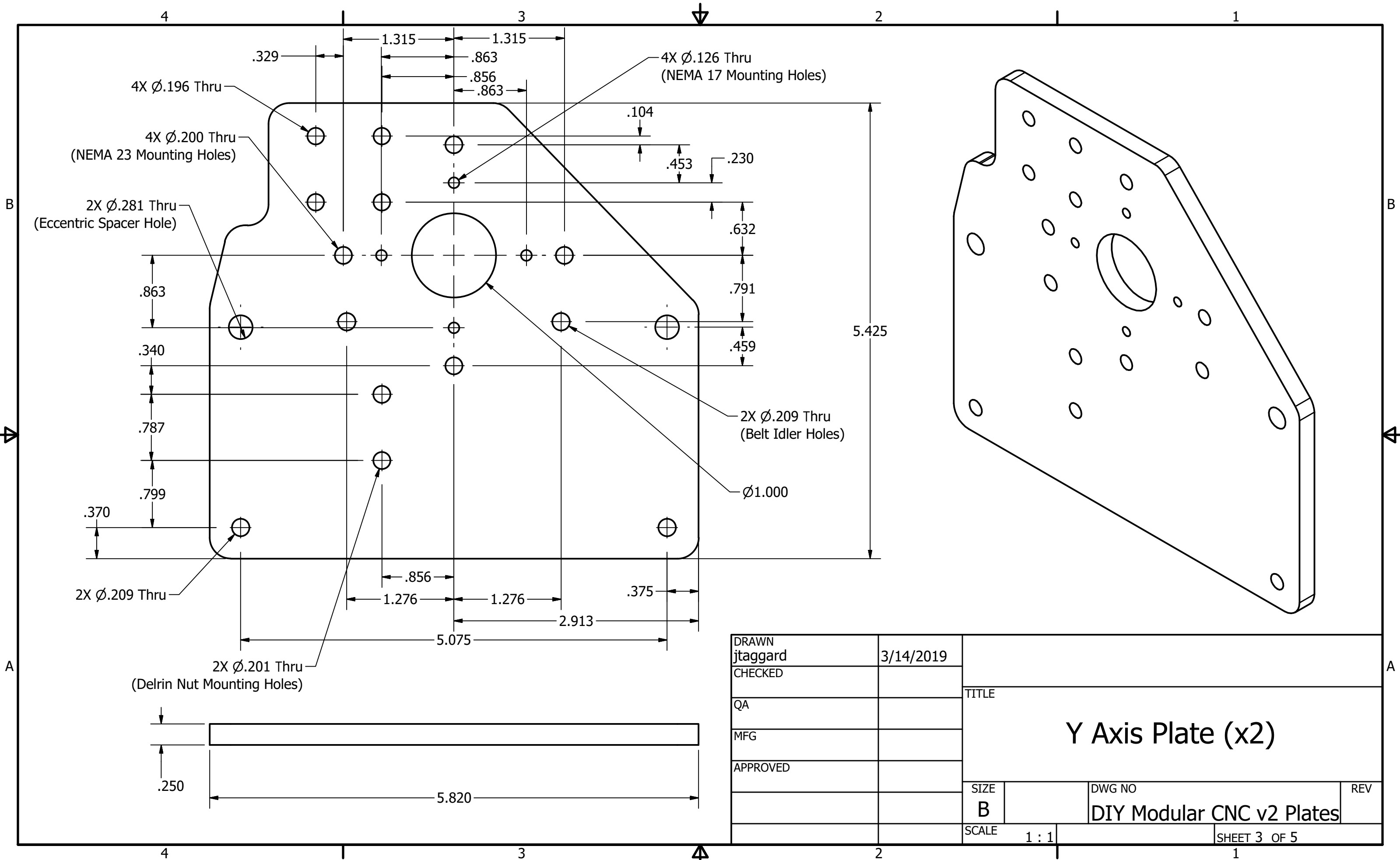
R.250 Typ



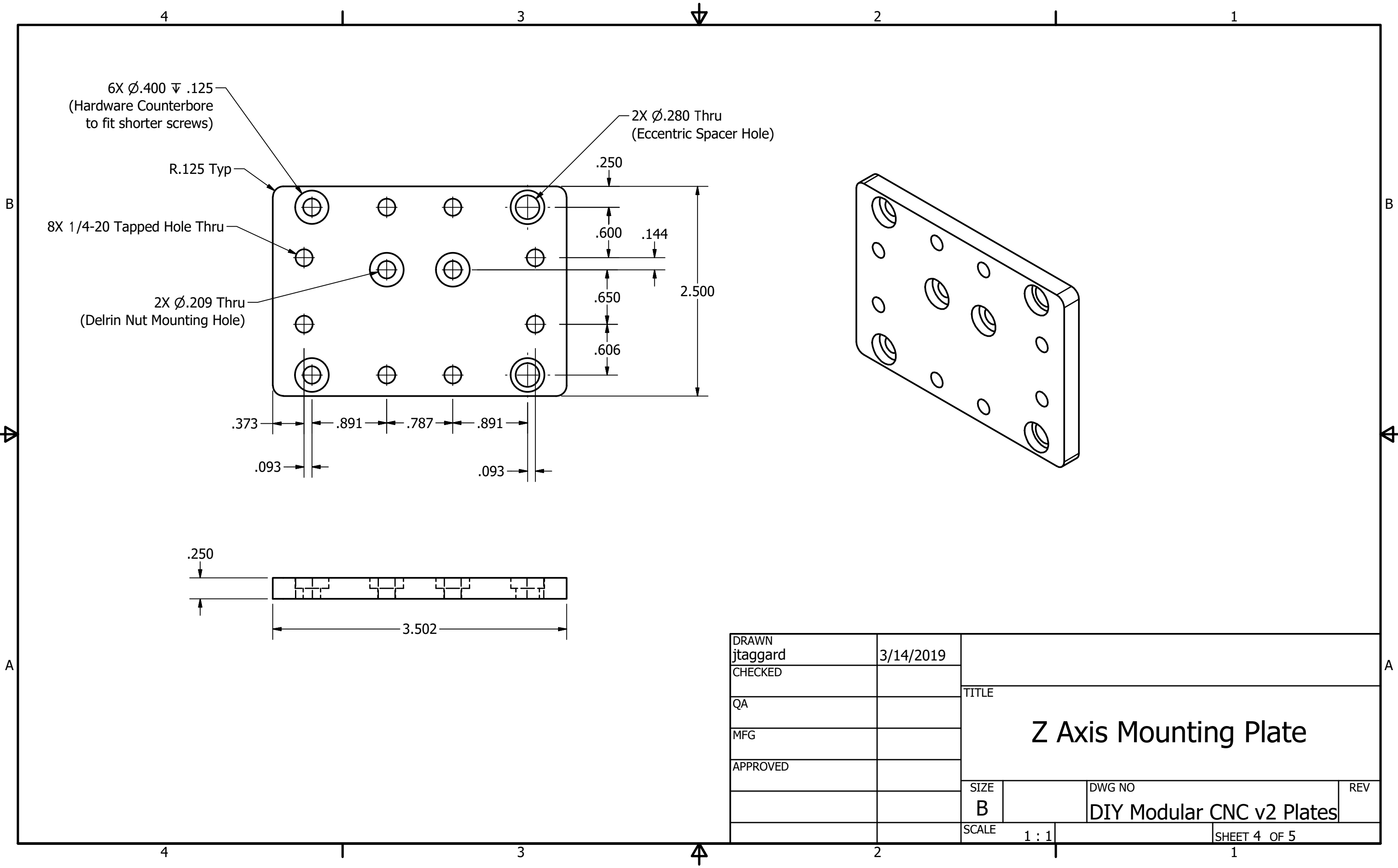
DRAWN jtaggard	3/14/2019	<p style="text-align: center;">X Axis Plate Front</p>		
CHECKED				
QA				
MFG				
APPROVED		SIZE B	DWG NO DIY Modular CNC v2 Plates	REV
		SCALE 1 : 1	SHEET 1 OF 5	



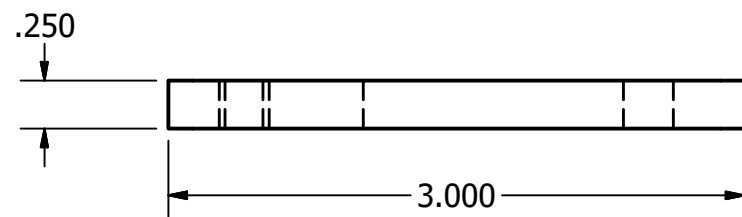
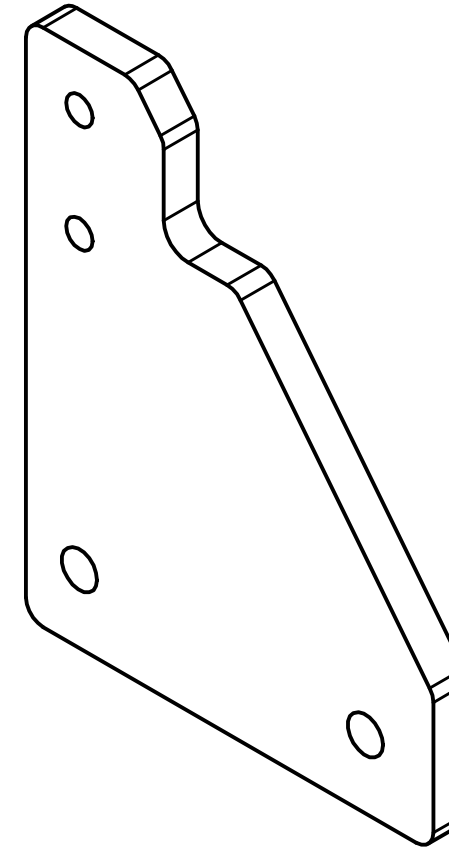
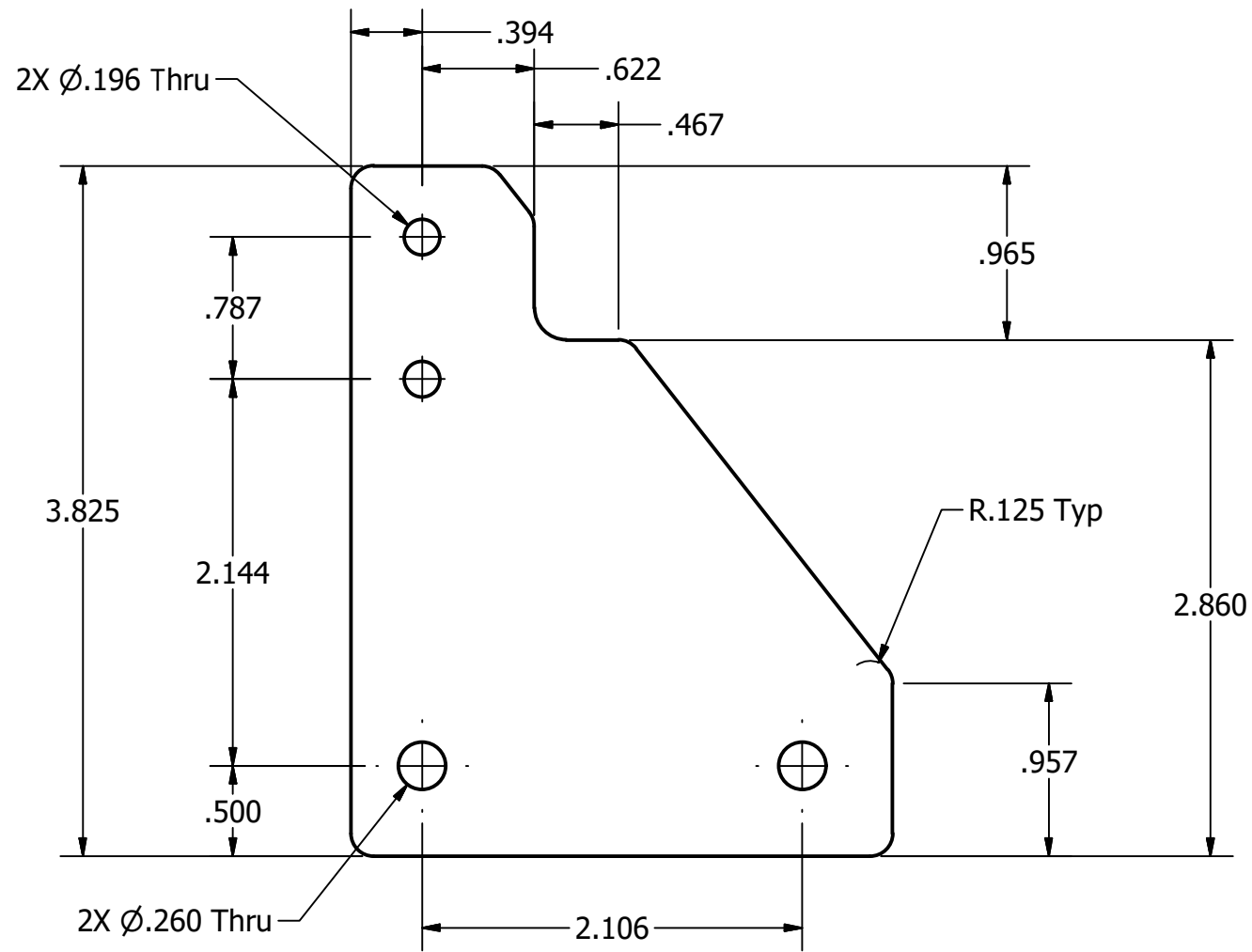
DRAWN	jtaggard	3/14/2019	TITLE		
CHECKED			<h1>X Axis Plate Back</h1>		
QA					
MFG					
APPROVED					
			SIZE	DWG NO	REV
			B	DIY Modular CNC v2 Plates	
			SCALE	SHEET 2 OF 5	
			1 : 1		



DRAWN jtaggard	3/14/2019	TITLE Y Axis Plate (x2)		
CHECKED				
QA				
MFG				
APPROVED		SIZE B	DWG NO	REV
		DIY Modular CNC v2 Plates		
		SCALE 1 : 1	SHEET 3 OF 5	



DRAWN jtaggard	3/14/2019	TITLE Z Axis Mounting Plate		
CHECKED				
QA		SIZE B	DWG NO	REV
MFG		DIY Modular CNC v2 Plates		
APPROVED		SCALE 1 : 1	SHEET 4 OF 5	



DRAWN jtaggard	3/14/2019	TITLE Leg Brace (x4)		
CHECKED				
QA				
MFG				
APPROVED		SIZE B	DWG NO DIY Modular CNC v2 Plates	REV
		SCALE 1 : 1	SHEET 5 OF 5	