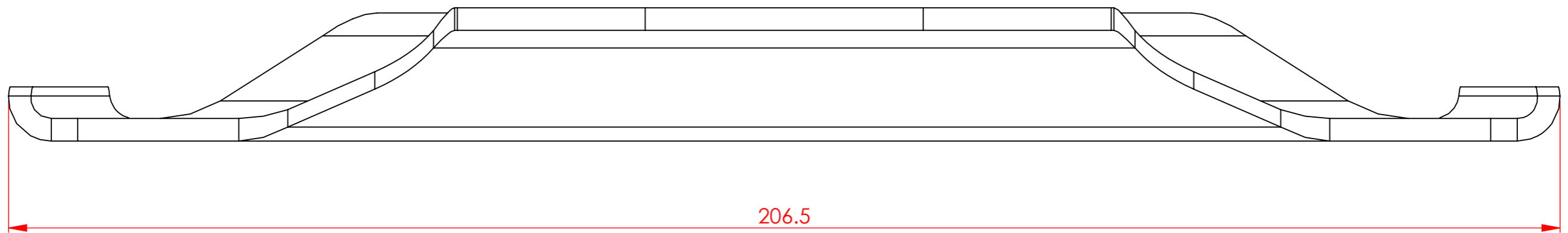
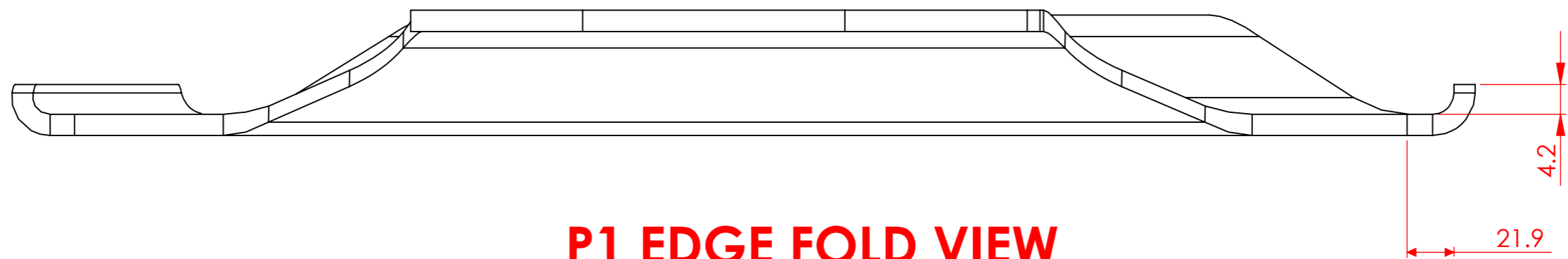
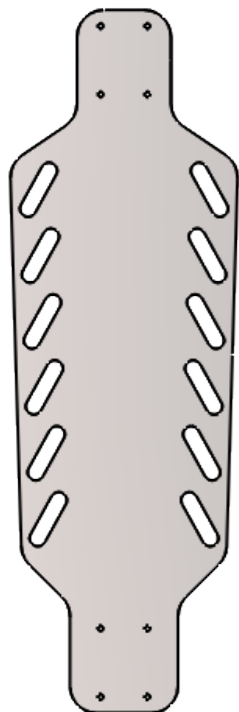


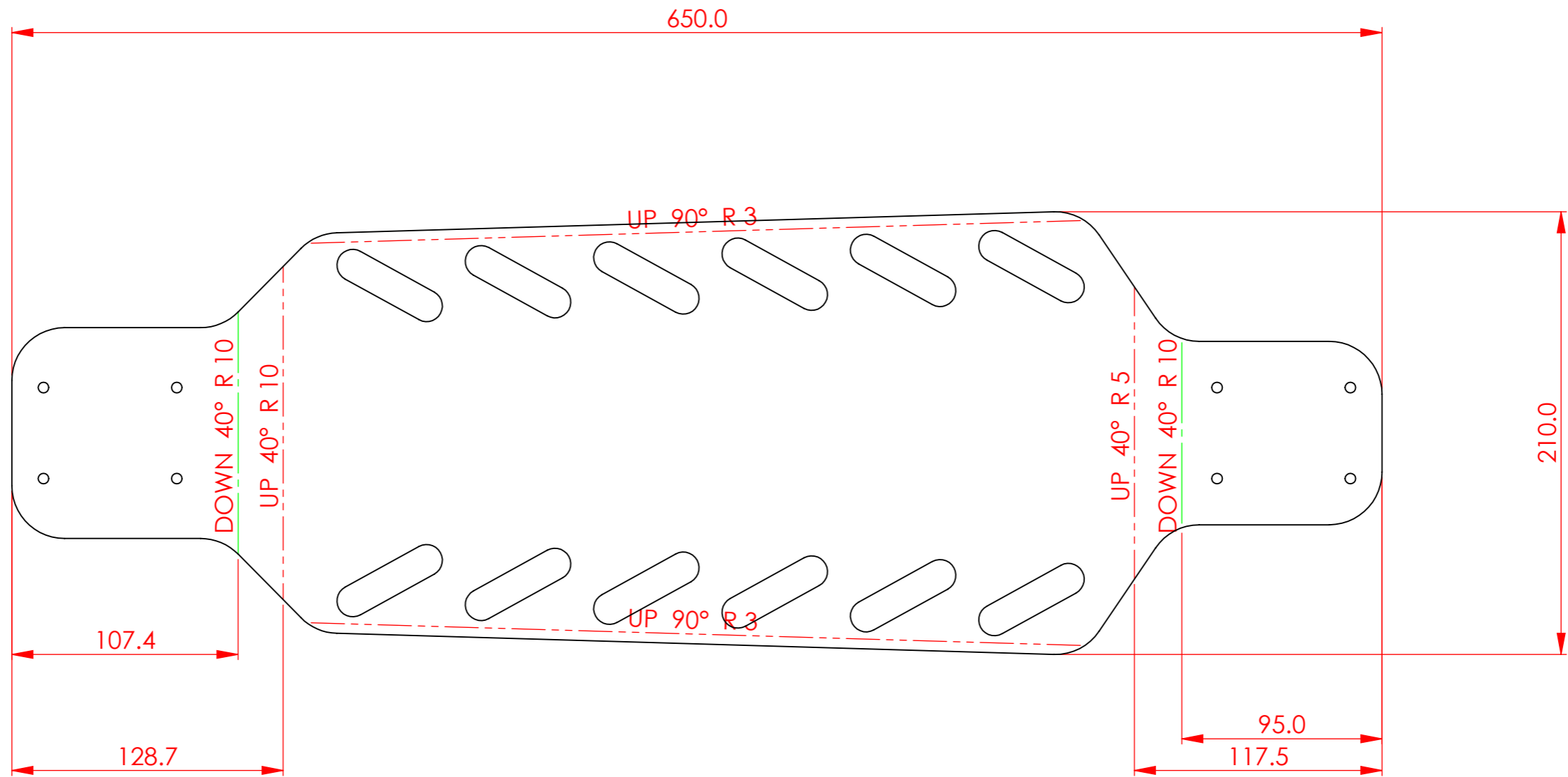
P1 SIDE VIEW



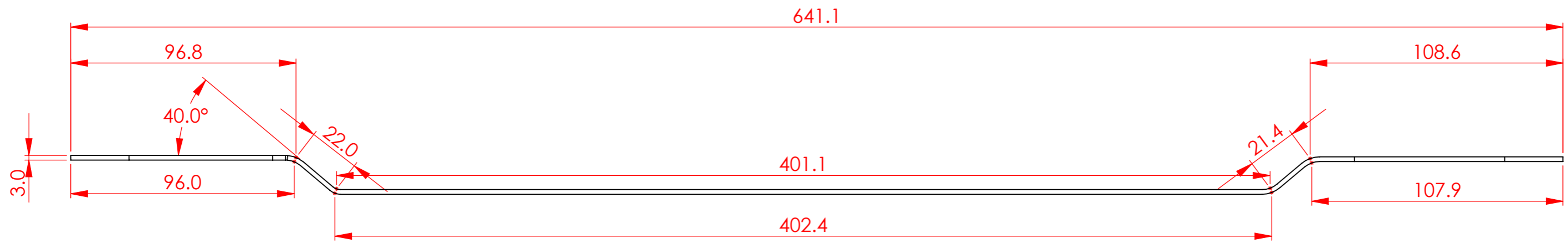
P2 FRONT VIEW



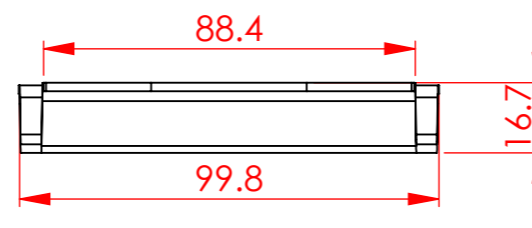
P1 EDGE FOLD VIEW



P1 FLAT PATTERN - 3mm GALV

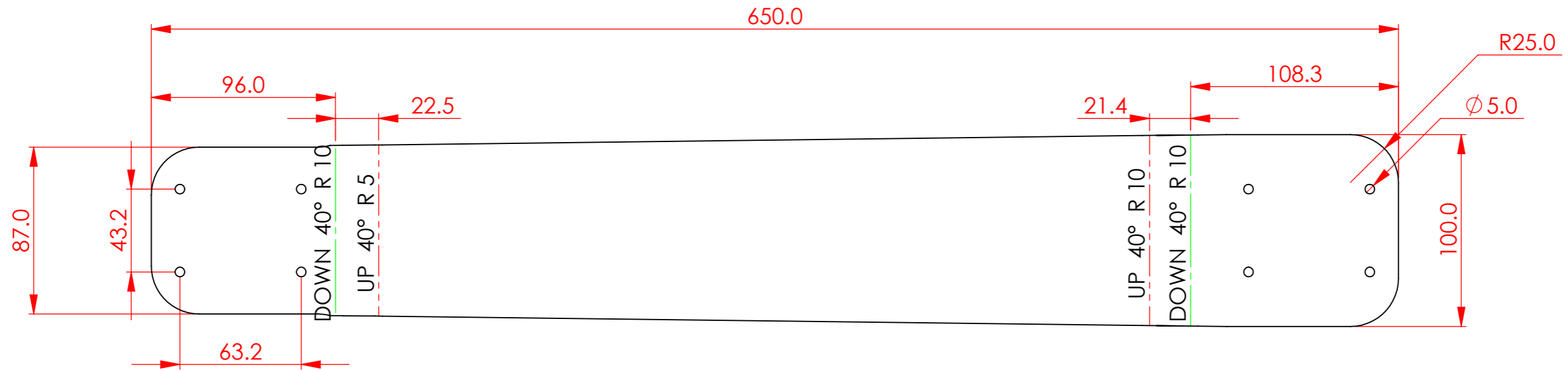


P2 SIDE VIEW



P2 FRONT VIEW





P2 FLAT PATTERN - 3mm GALV