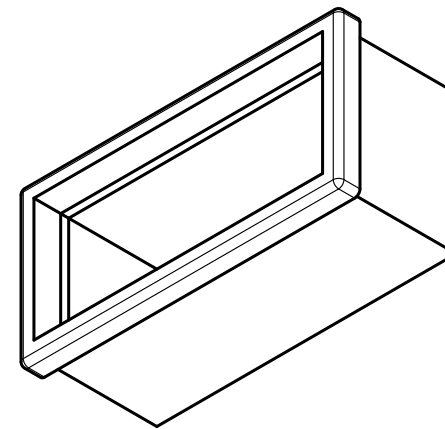
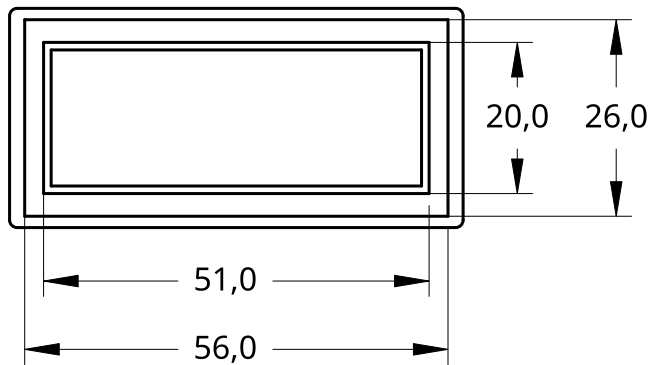
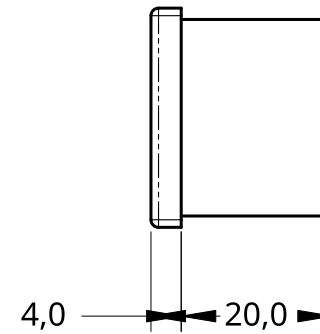
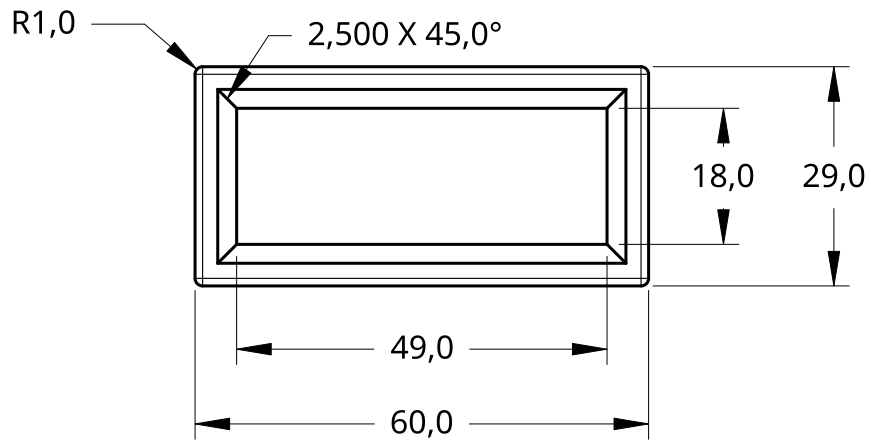


2

1



UNLESS OTHERWISE SPECIFIED,  
DIMENSIONS ARE IN INCHES

.XX = ±.0-  
.XXX = ±.00-  
.XXXX = ±.000-

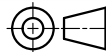
ANGULAR = ± °  
FRACTIONAL = ±

SURFACE FINISH

DO NOT SCALE DRAWING

BREAK ALL SHARP EDGES AND  
REMOVE BURRS

THIRD ANGLE PROJECTION



	NAME	DATE
DRAWN		
CHECKED		
APPROVED		
MATERIAL	FINISH	

TITLE		
4 Digit display bracket		
SIZE	DWG NO.	REV.
SCALE 1:1	WEIGHT	SHEET 1 of 1

2

1

B

B

A

A