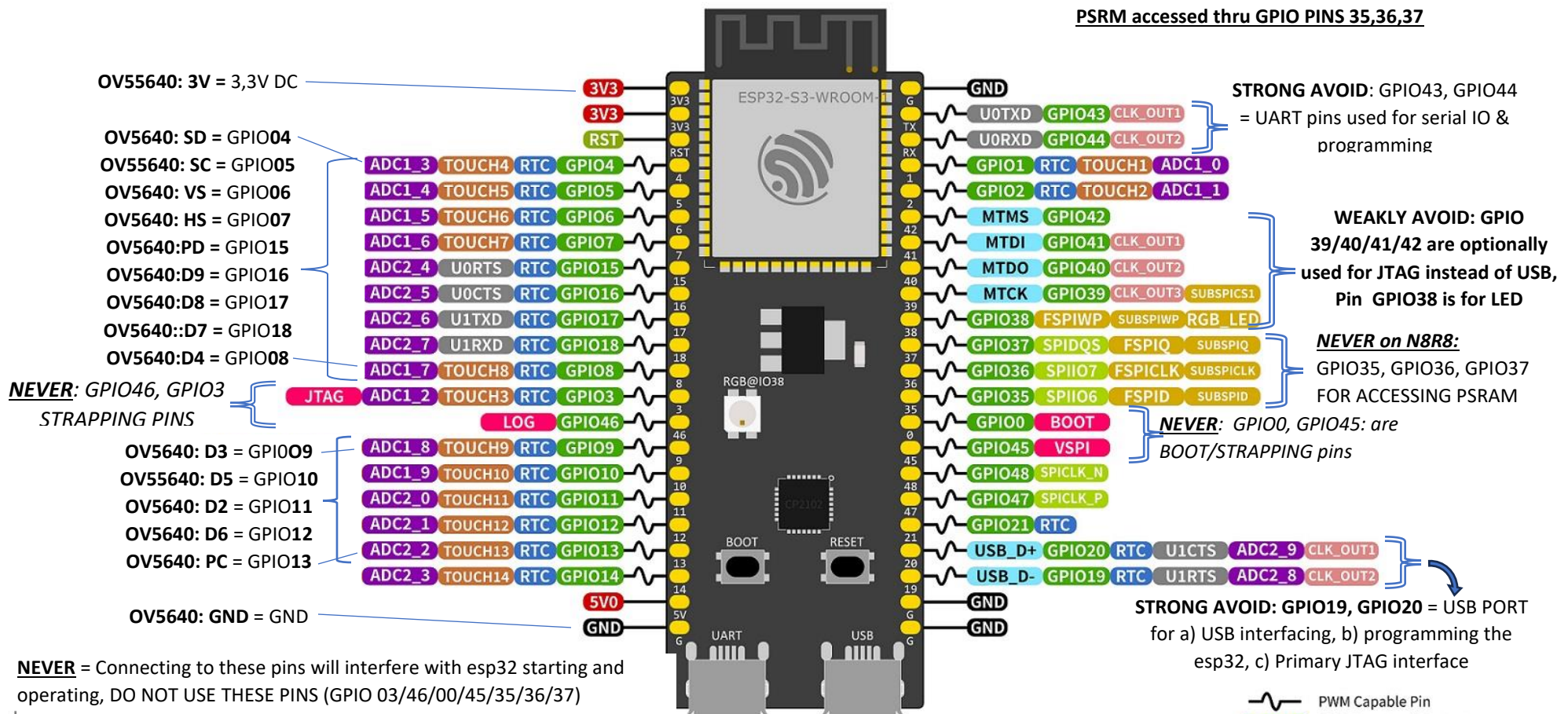


ESP32-S3-DevKitC-1-N8R8*1

Note *1: The ESP32-S3-DevkitC-1-N8R8 is a version of the ESP32-S3-DevkitC-1 with an additional 8Mb of internal program memory, and 8MB of external PSRRM accessed thru GPIO PINS 35,36,37



NEVER = Connecting to these pins will interfere with esp32 starting and operating, DO NOT USE THESE PINS (GPIO 03/46/00/45/35/36/37)

STRONG AVOID: These pins are used for programming and /OR communications. If using USB for programming /JTAG/ Communications, then maybe the UART can be used for IO instead of communication programming. Evaluate case by case (UART= GPIO43/44, or USB = GPIO19/20).

WEAK AVOID = These pins can usually be used without interfering with operation, programming, JTAG, or communication. Evaluate before using. (GPIO39/40/41/42 can optionally be used for JTAG, GPIO38 connects to an RGB LED on the Esp32-S3)

In our example, fourteen (14) pins of the OV5640 are connected to fourteen IO pins on the ESP32, and both the 3.3VDC power pin of the OV5640 breakout and the GND pin

MISC Miscellaneous/SPI functions
CLK_OUTX Clock Output

PWM Capable Pin
GPIOX GPIO Input and Output
JTAG/USB JTAG for Debugging and USB
ADCX_CH Analog-to-Digital Converter
TOUCHX Touch Sensor Input Channel
OTHER Other Related Functions
SERIAL Serial for Debug/Programming
STRAP Strapping Pin Functions
RTC RTC Power Domain (VDD3P3_RTC)
GND Ground
PWD Power Rails (3V3 and 5V)