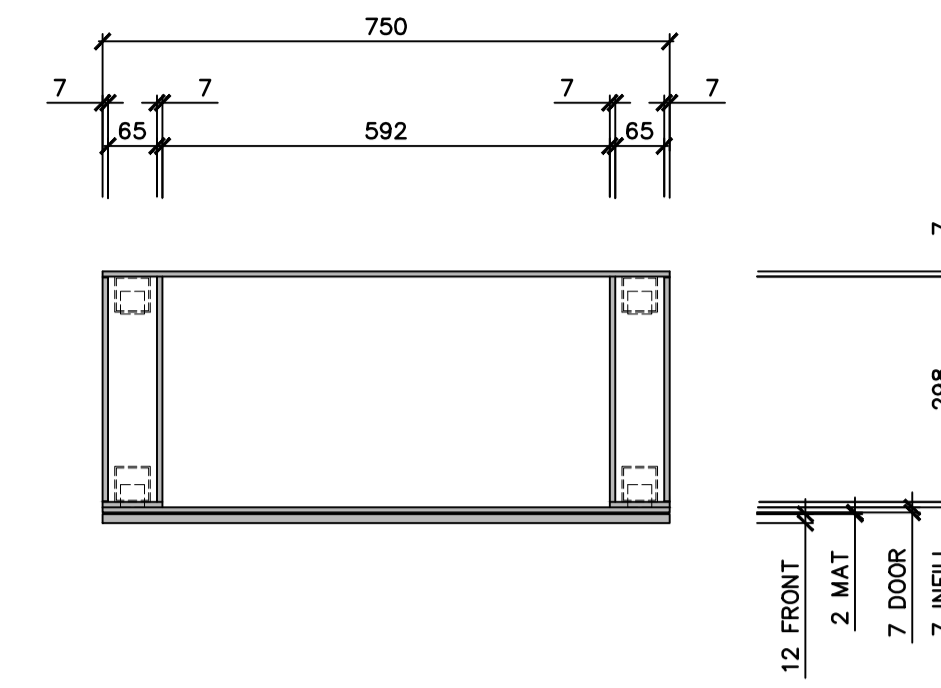
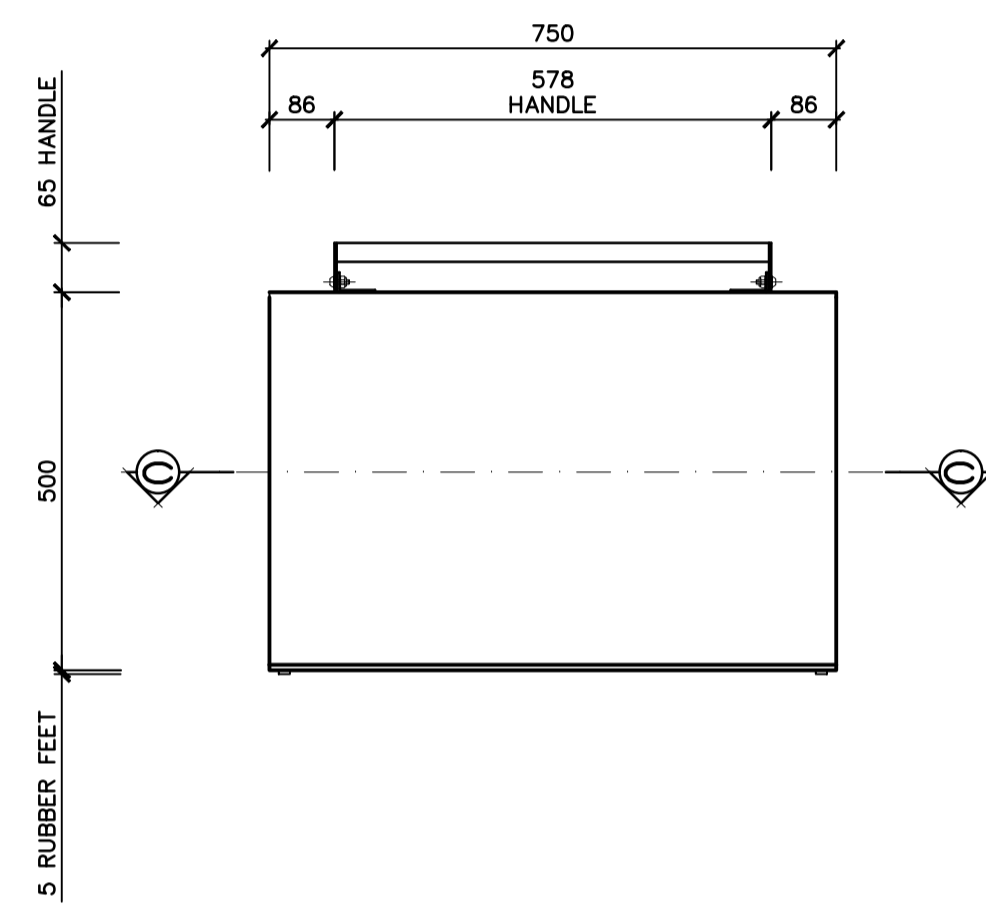


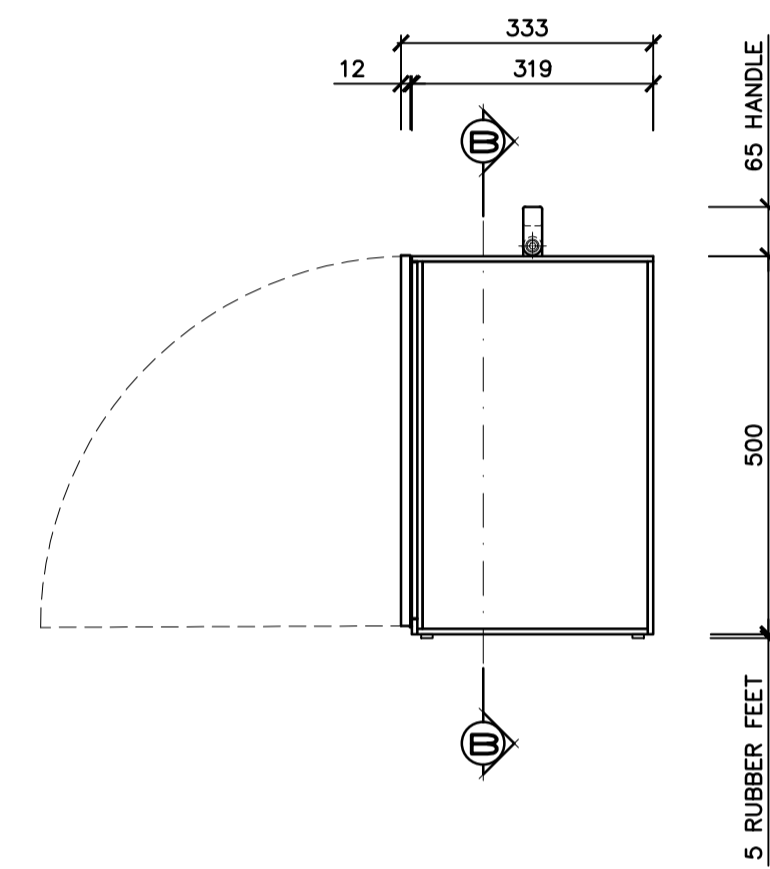
PLAN VIEW 1:10



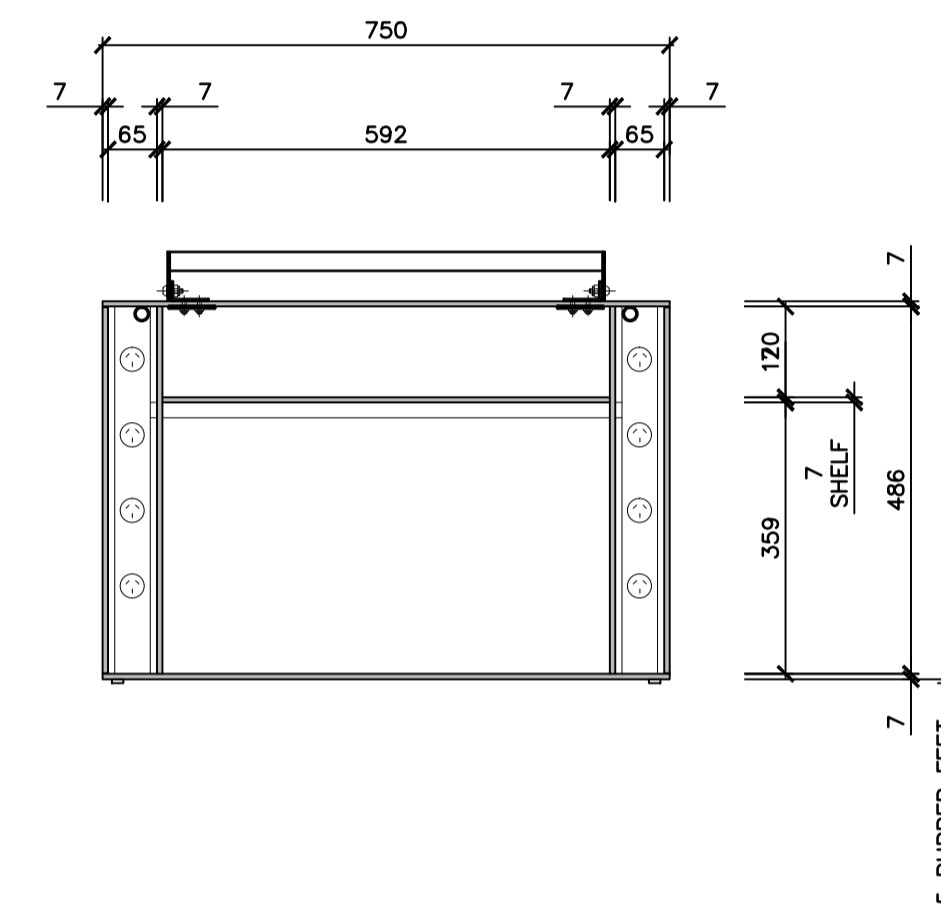
SECTION C 1:10



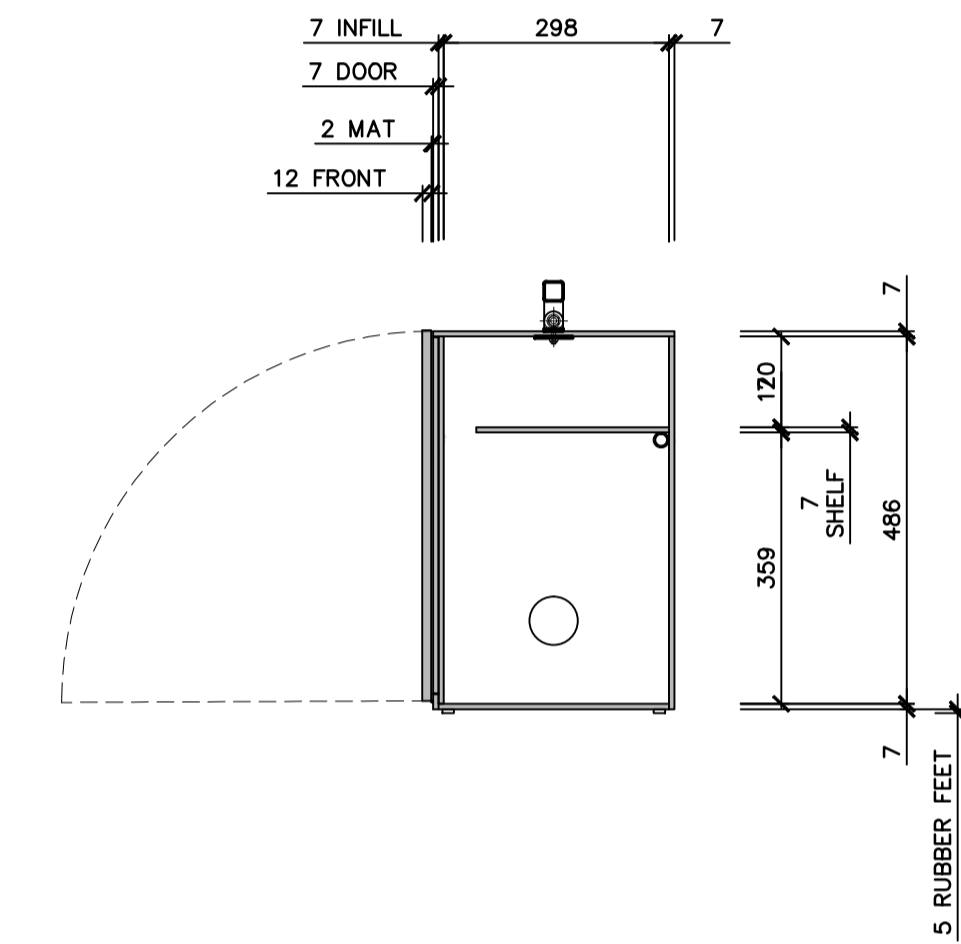
FRONT ELEVATION 1:10



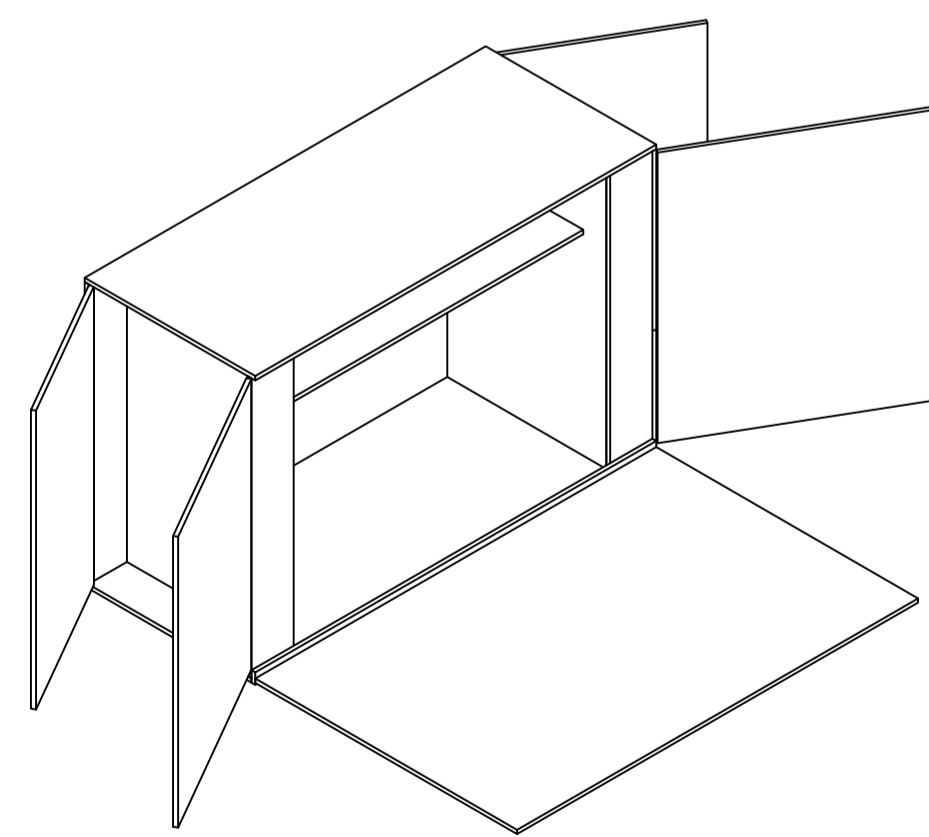
END ELEVATION 1:10



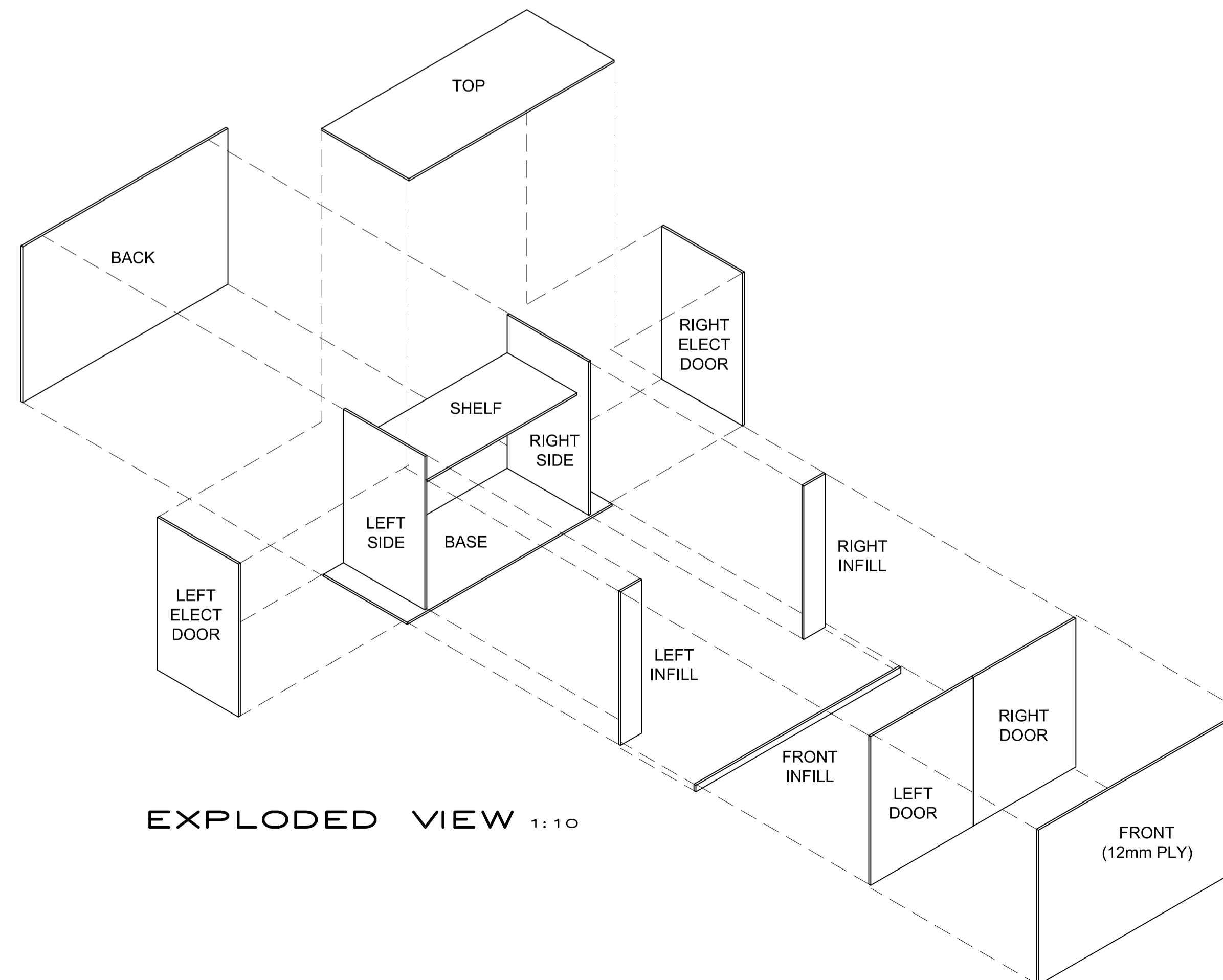
SECTION A 1:10



SECTION B 1:10



ISOMETRIC VIEW 1:10



EXPLODED VIEW 1:10

DATE	REVISION	BY
PROJECT		
PORTABLE ELECTRONICS WORKSTATION		
PLAN, ELEVATIONS & EXPLODED VIEW		
twitter: @Tez_Gelmir		
DRAWN	T.S.	DATE 22.8.2014
CERTIFIED		SCALE 1:10
JOB No.		
14012		
DRAWING No.		
01		