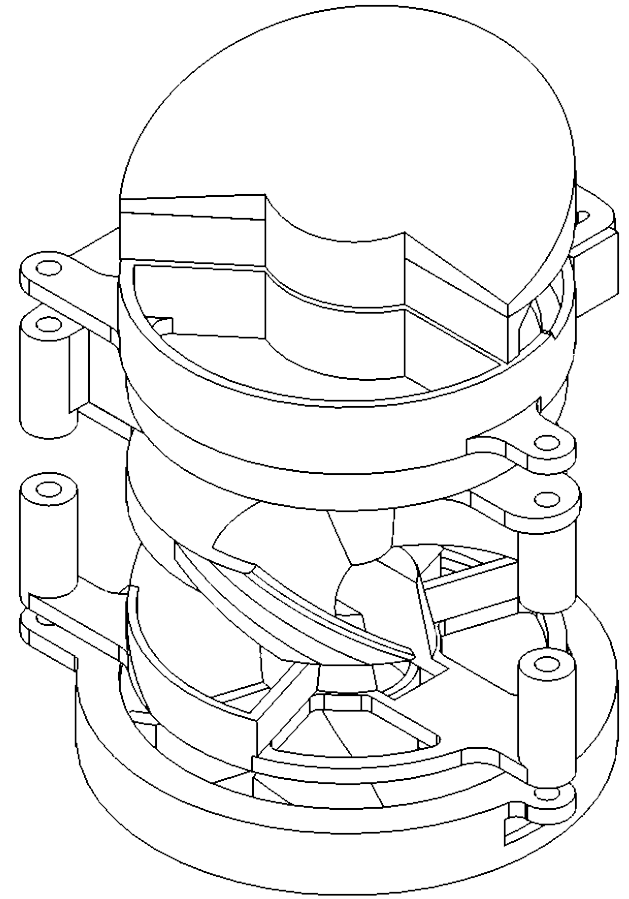
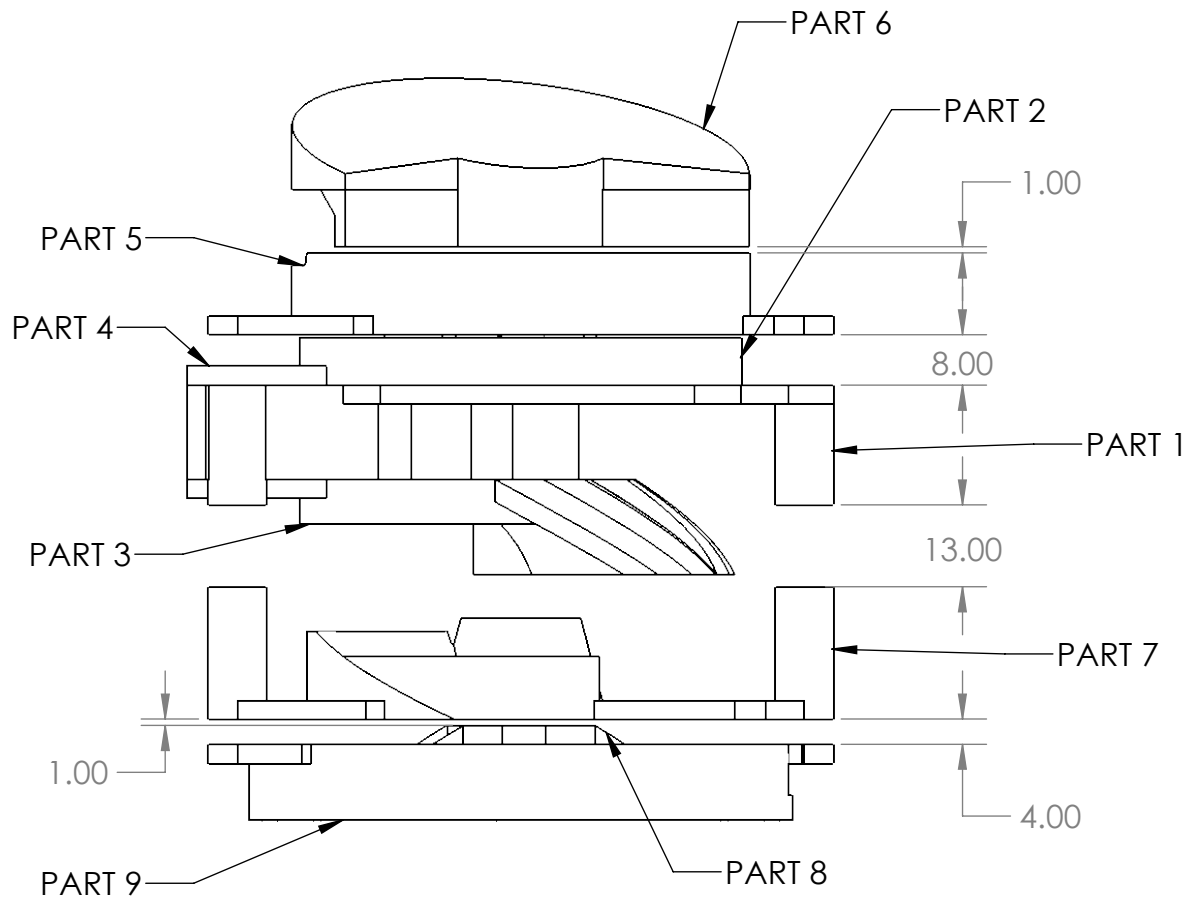


2

1

B

B



A

A

UNLESS OTHERWISE SPECIFIED:		NAME	DATE	TITLE: ASSEMBLY OF PARTS 1-10
DIMENSIONS ARE IN MILLIMETERS	DRAWN			
	CHECKED			
	ENG APPR.			
	MFG APPR.			
INTERPRET GEOMETRIC TOLERANCING PER:	Q.A.			SIZE DWG. NO. REV
MATERIAL PLA PLASTIC	COMMENTS: 3D PRINTED, NO CLEANUP NECESSARY			
FINISH PRINT FINISH				SCALE: 1:2
DO NOT SCALE DRAWING				

2

1