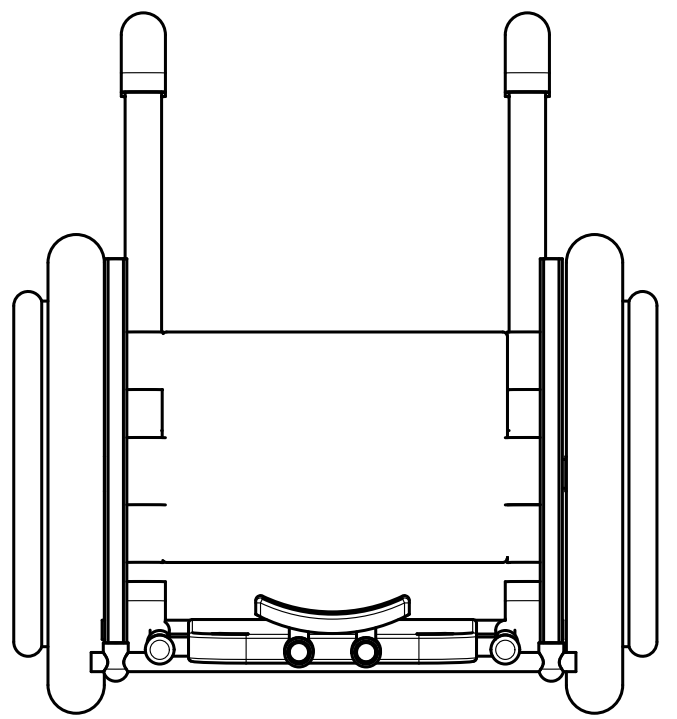


4

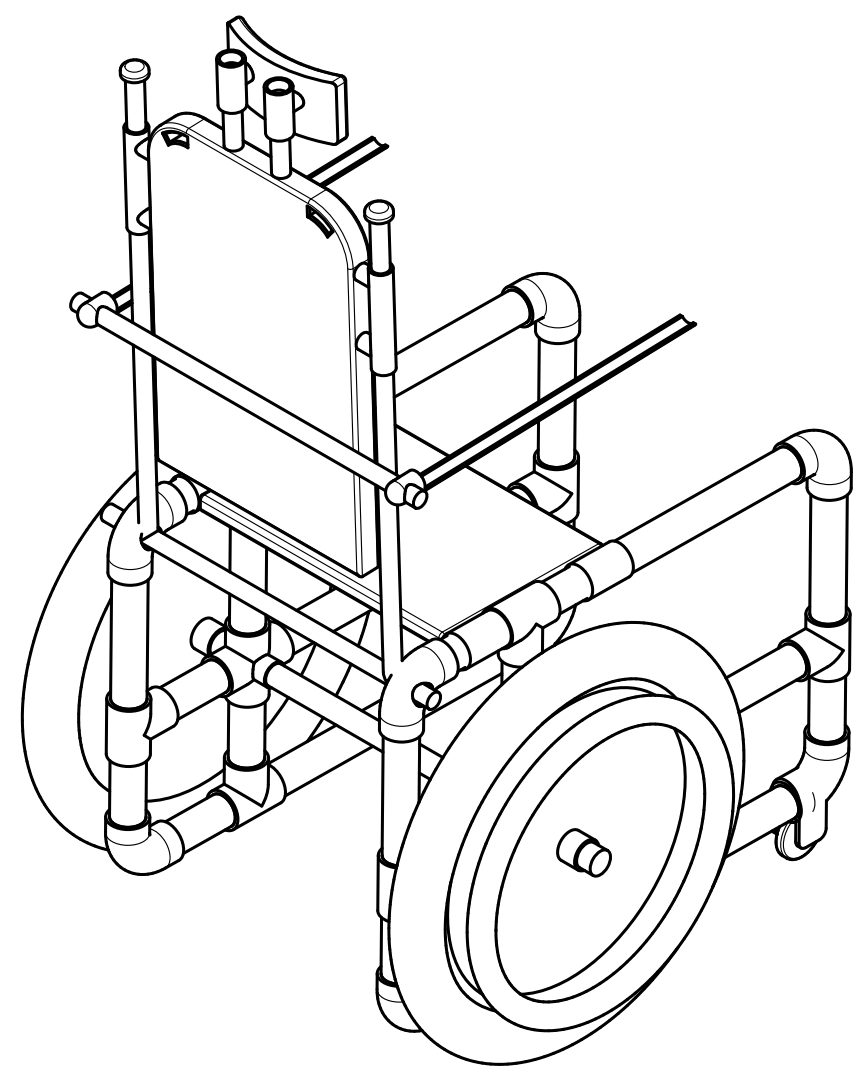
3

2

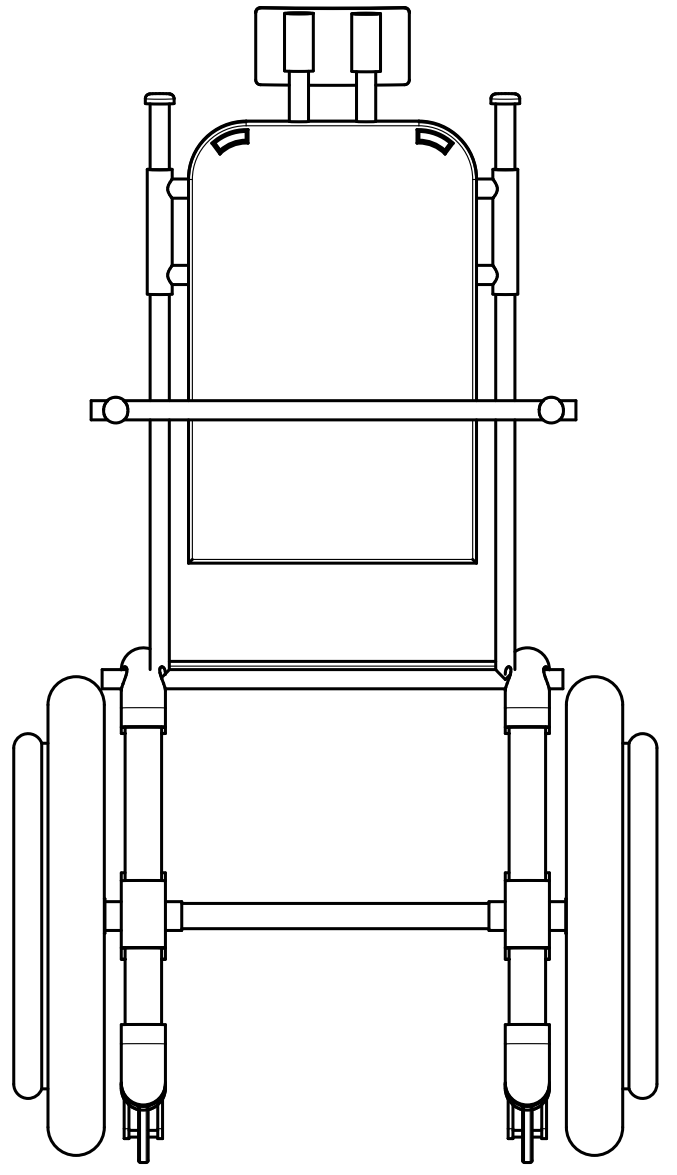
1



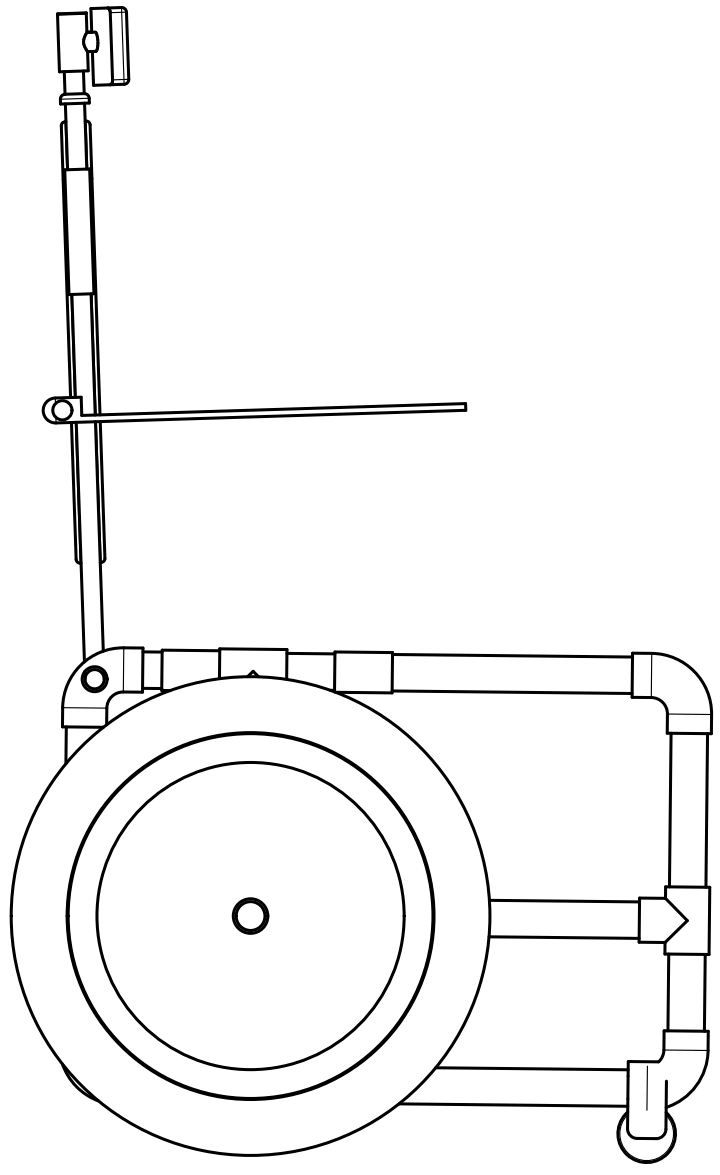
Top



Isometric



Front



Right

UNLESS OTHERWISE SPECIFIED, DIMENSIONS ARE IN INCHES		NAME	DATE		
.XX = ±.0-	ANGULAR = ±°	DRAWN	KODY SUDOL	03/27/2024	TITLE
.XXX = ±.00-	FRACTIONAL = ±	CHECKED			
.XXXX = ±.000-		APPROVED			
SURFACE FINISH <input checked="" type="checkbox"/>					
DO NOT SCALE DRAWING					
BREAK ALL SHARP EDGES AND REMOVE BURRS					
THIRD ANGLE PROJECTION		MATERIAL	FINISH	SIZE	DWG NO.
				C	
				SCALE	1:20
				WEIGHT	
				SHEET	1 of 1
				REV.	

4

3

2

1

D

D

C

C

B

B

A

A