

A

A

B

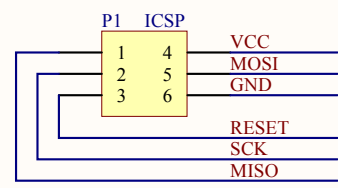
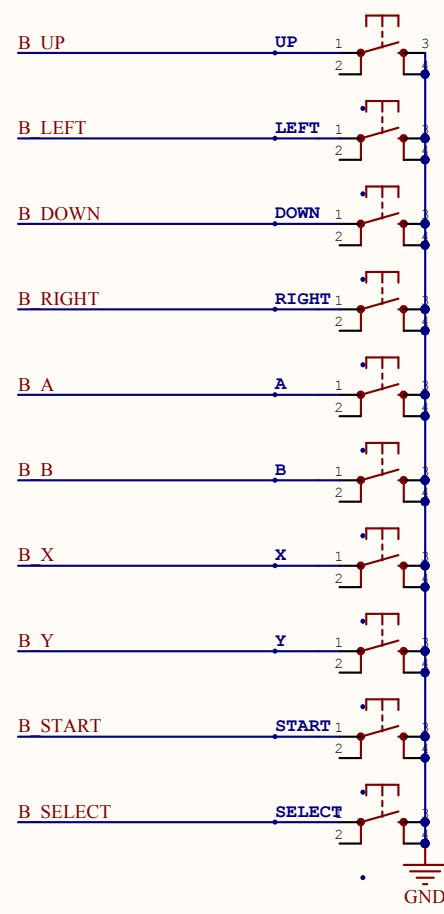
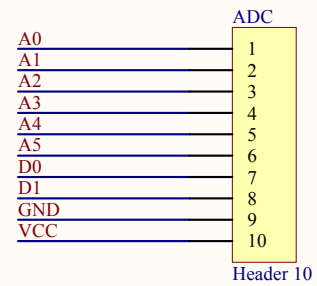
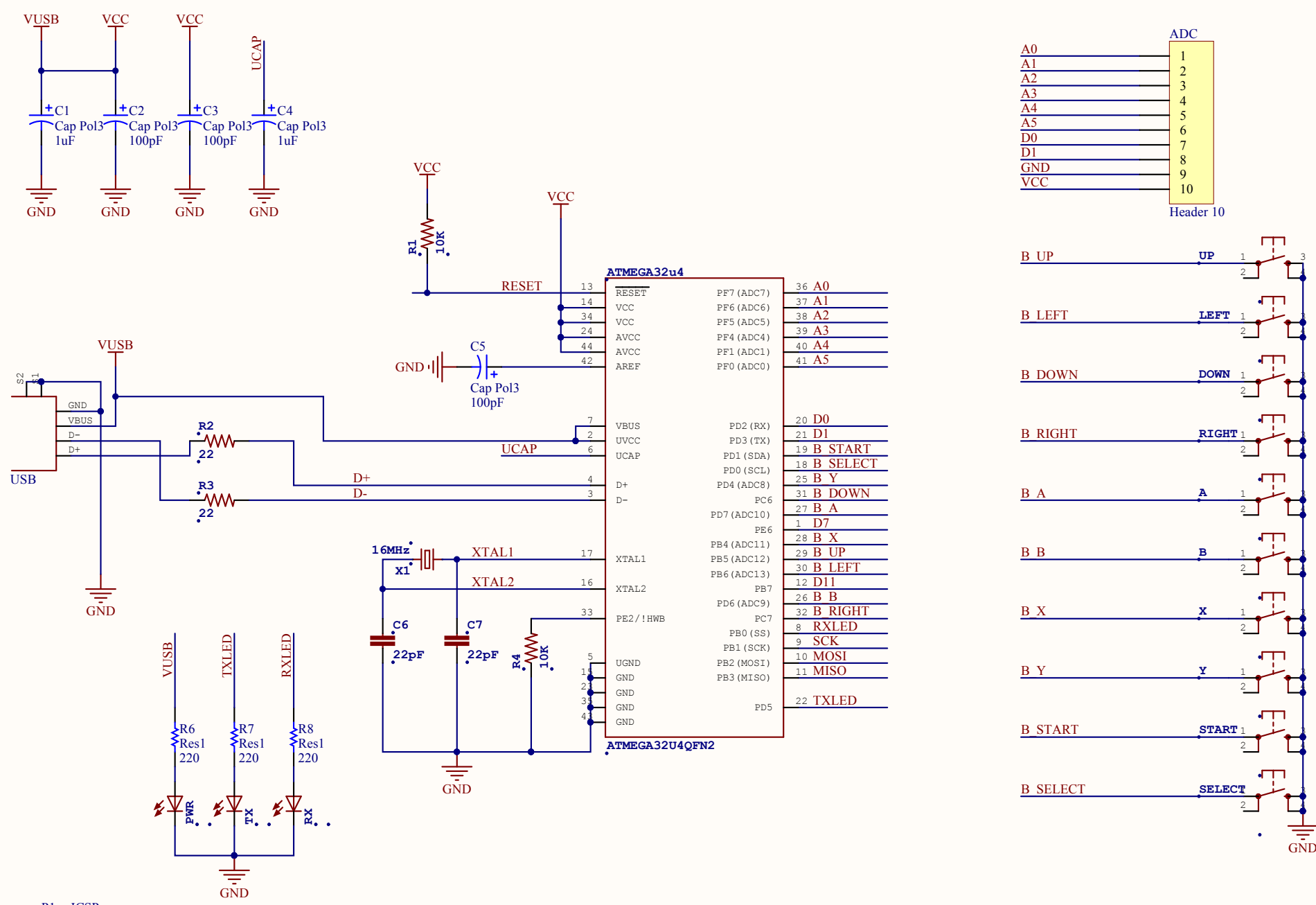
B

C

C

D

D



Title		
GAME PAD, NFS 2104		
Size	Number	Revision
A		R1
Date:	9/17/2014	Sheet of
File:	S:\Departments\...\GamePadShield_R1.sch	Drawn By: Luke Gary