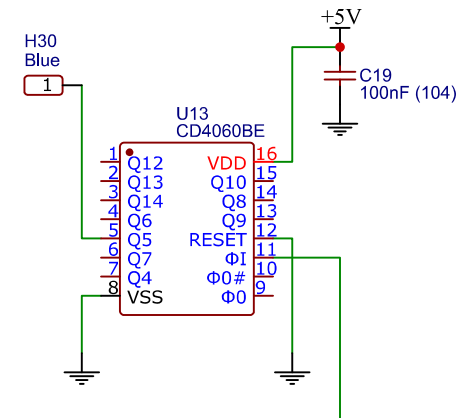
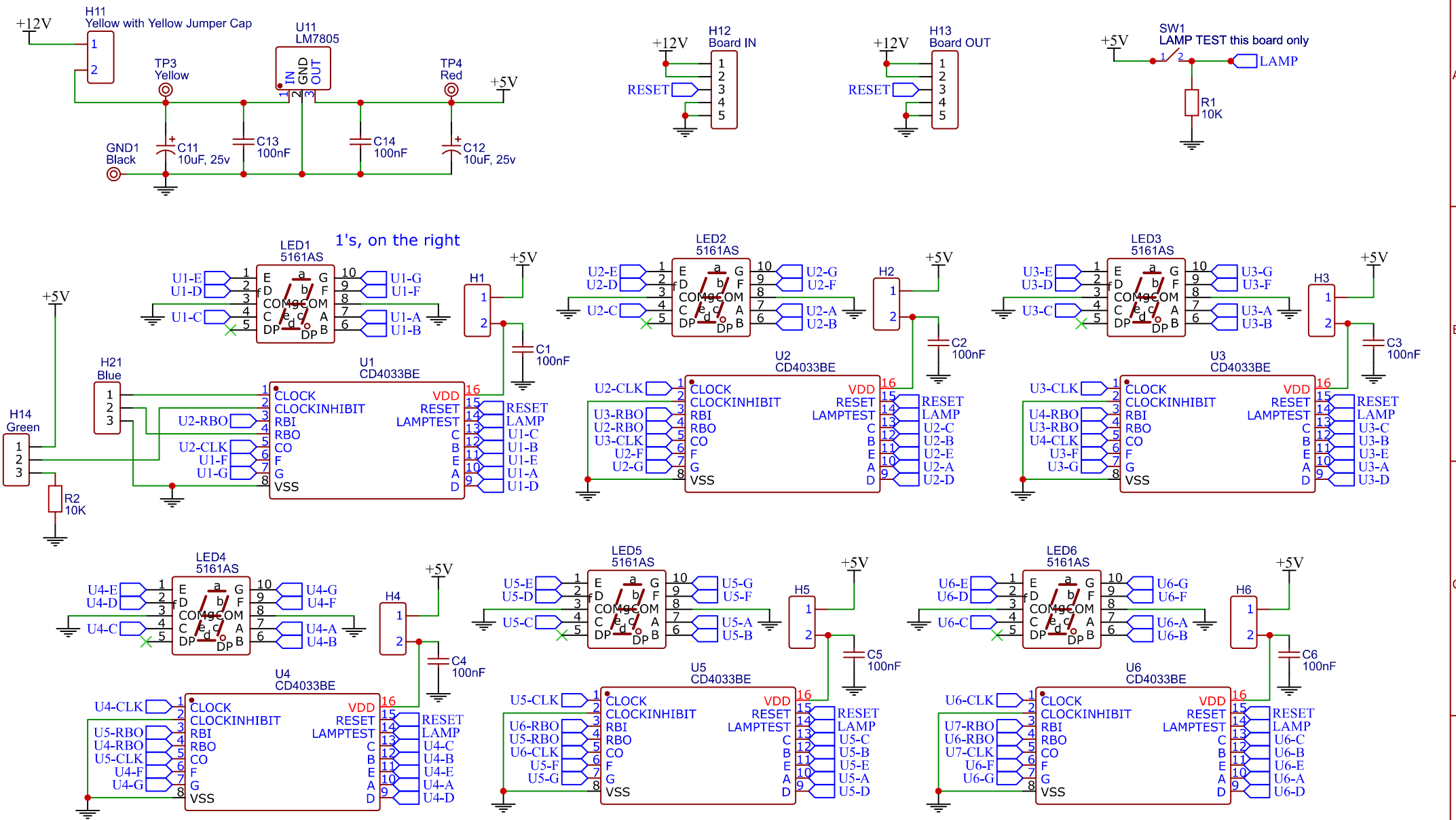


H30 Pin 1 connects to H21 Pin 1 first board only.



All resistors are 1/4 watt 5%.

TITLE: Power & Master Clock Project: Googol Seconds Counter		REV: 1.0
EasyEDA	Company:	Sheet: 1/3
	Date: 2024-09-01	Drawn By: Lee Thayer

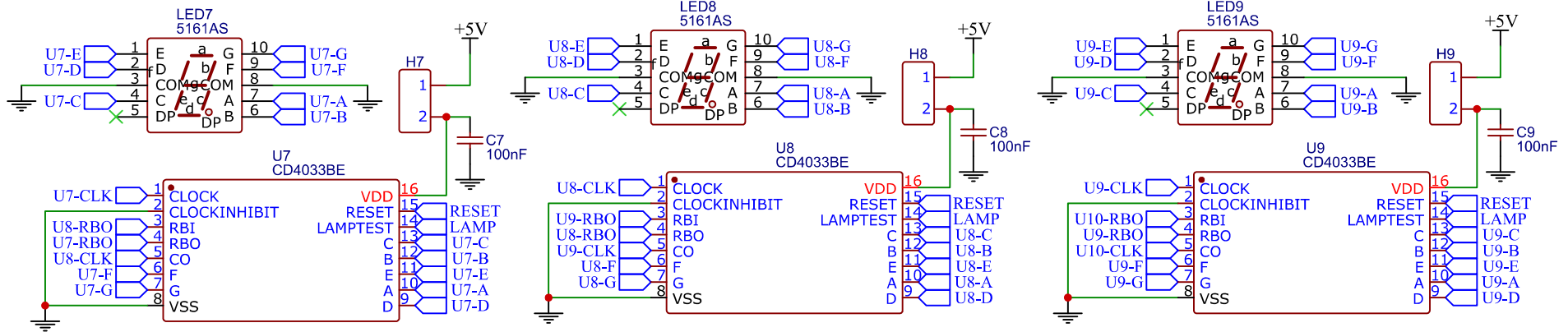


H14, all boards, jumper between pins 2 and 3, first board jumper between pins 1 and 2 to stop the counter.  
 Place jumper caps on H1 through H11 on Counter boards 1-10.  
 Place jumper caps on H1 and H11 on Counter board 11.

All resistors are 1/4 watt 5%.

TITLE: Counter Board sheet 1		REV: 1.0
Project: Googol Seconds Counter		
Company:		Sheet: 2/3
Date: 2024-08-30	Drawn By: Lee Thayer	





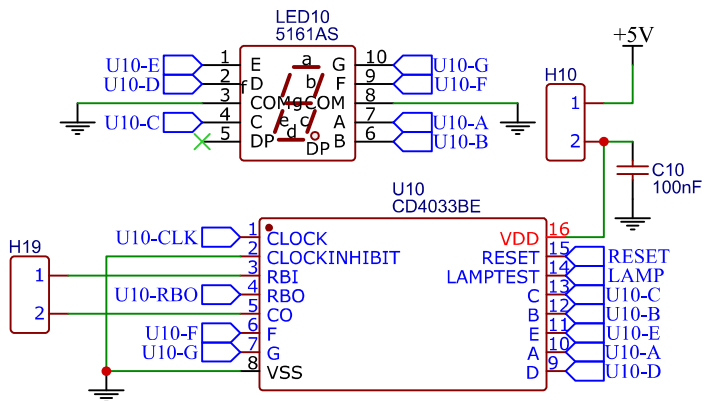
#### CONNECTIONS:

- Power and Clock board H16 jumper Pins 1 and 2 and Pins 3 and 4. (RESET)
- Power and Clock board H20 to H12 on 1st Counter board, Pin 1 to Pin 1 specific. (+12, GND, Reset)
- Power and Clock board H30 to H21 Pin 1 on 1st Counter board. (Master Clock)

- 1st Counter board H21 jumper between Pins 2 and 3. (RBO grounded)
- 1st Counter board H14 jumper between Pins 2 and 3. (CLKINH)
- 1st Counter board H13 to H12 on 2nd Counter board, Pin 1 to Pin 1 specific. (+12, GND, Reset)
- 1st Counter board H19 Pin 1 to H21 Pin 2 on 2nd Counter board. (RBI out)
- 1st Counter board H19 Pin 2 to H21 Pin1 on 2nd Counter board. (CO to 2nd board)
- 2nd Counter board H14 jumper between Pins 2 and 3. (CLKINH)
- 2nd Counter board H13 to H12 on 3rd Counter board, Pin 1 to Pin 1 specific. (+12, GND, Reset)
- 2nd Counter board H19 Pin 1 to H21 Pin 2 on 3rd Counter board. (RBI out)
- 2nd Counter board H19 Pin 2 to H21 Pin1 on 3rd Counter board. (CO to 3rd board)
- 3rd through 10th Counter boards, just repeat the last 4 steps.

11th Counter board will only use H12 and H21.

After you have tested the counter and have it working, remove the jumper caps from H16 on the Power and Clock board to prevent someone from resetting the count.



H19 Pin 1 is connected to H21 Pin 2 on next level up.  
H19 Pin 2 is connected to H21 Pin 1 on next level up.

TITLE: Counter Board sheet 2		REV: 1.0
Project: Googol Seconds Counter		Sheet: 3/3
Company:		Date: 2024-08-30
EasyEDA		Drawn By: Lee Thayer