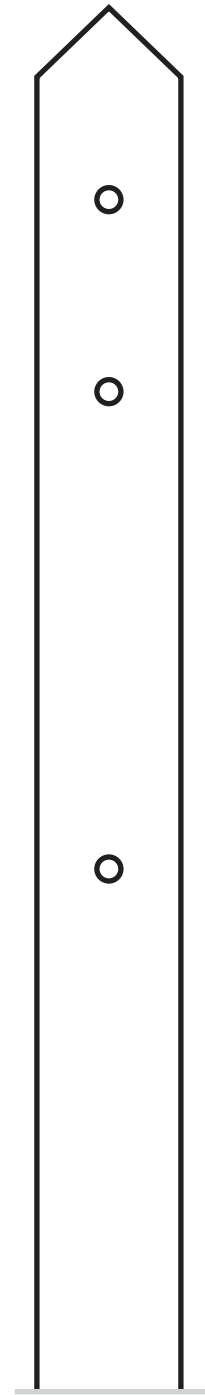
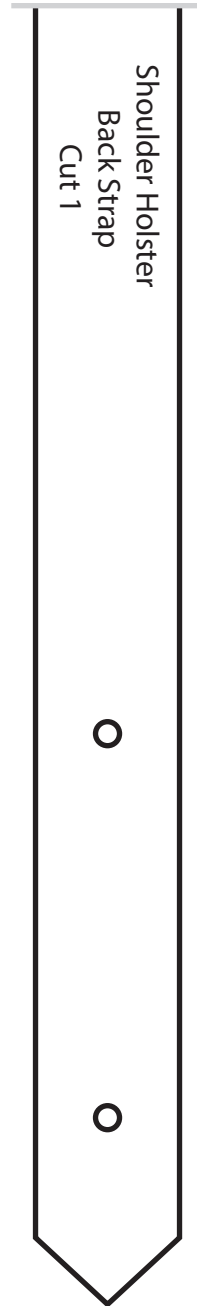
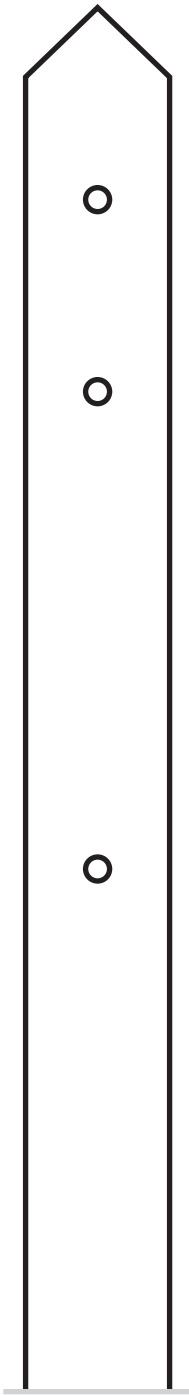
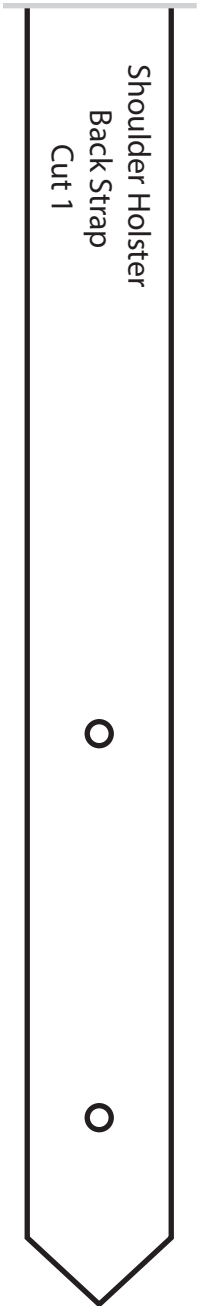
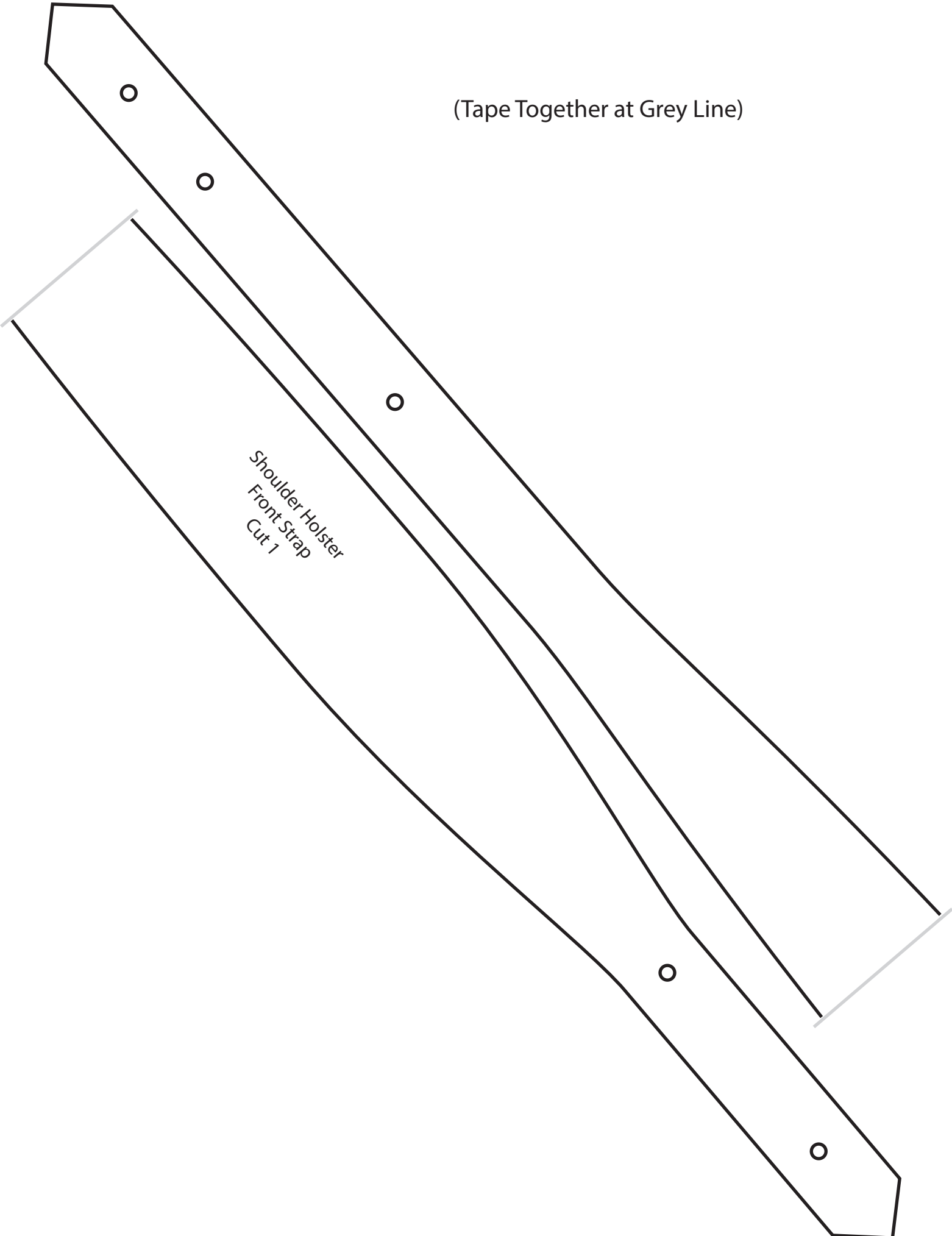


(Tape Together at Grey Lines)



(Tape Together at Grey Line)

Shoulder Holster  
Front Strap  
Cut 1



(Tape Together at Grey Line)

Shoulder Holster  
Front Strap  
Cut 1

