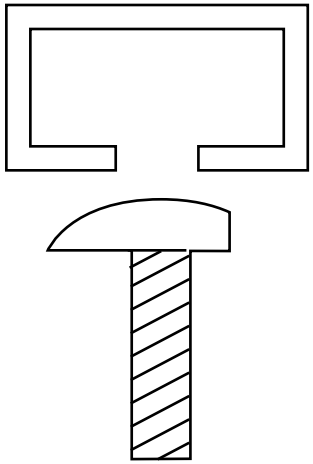
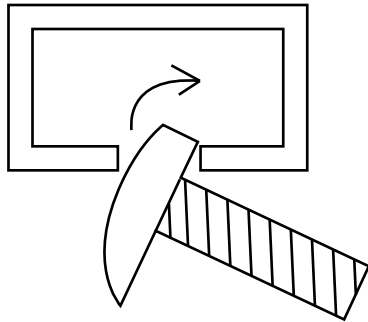


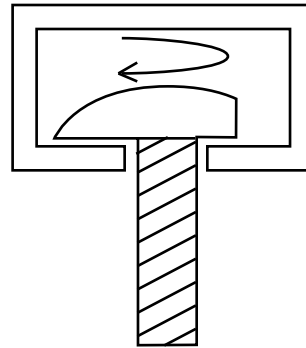
Modifying Machine Screws to Bolt-Down Photovoltaic Solar Panels



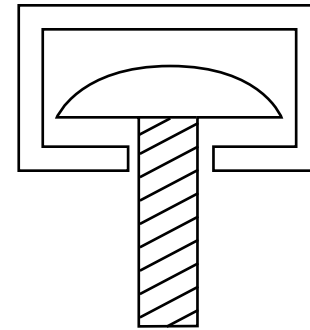
Grind down one side of the bolt head



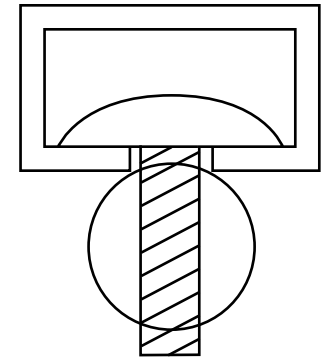
"Hook" bolt into extrusion



Rotate bolt 90 degrees



Entire bolt head should now contact extrusion



Bolt goes through conduit and gets tightened with washer & lock nut