

1 2 3 4 5 6 7 8

A

B

C

D

E

F

A

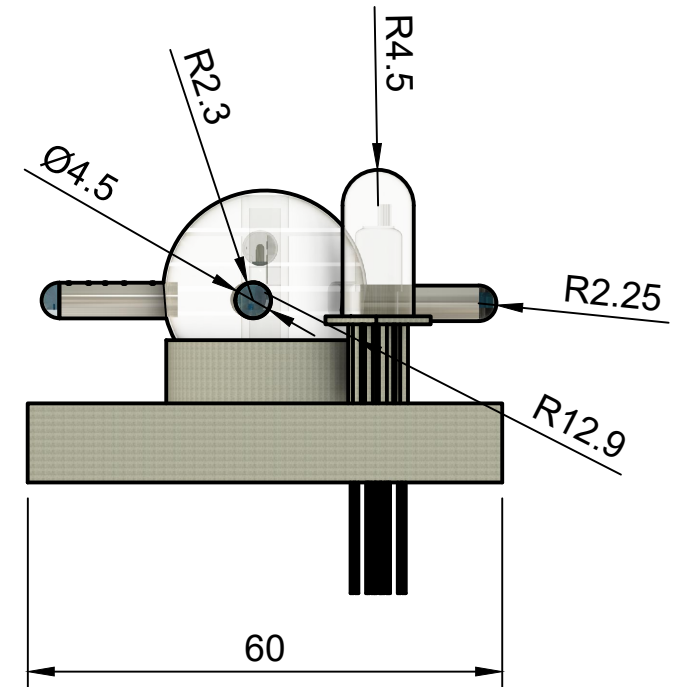
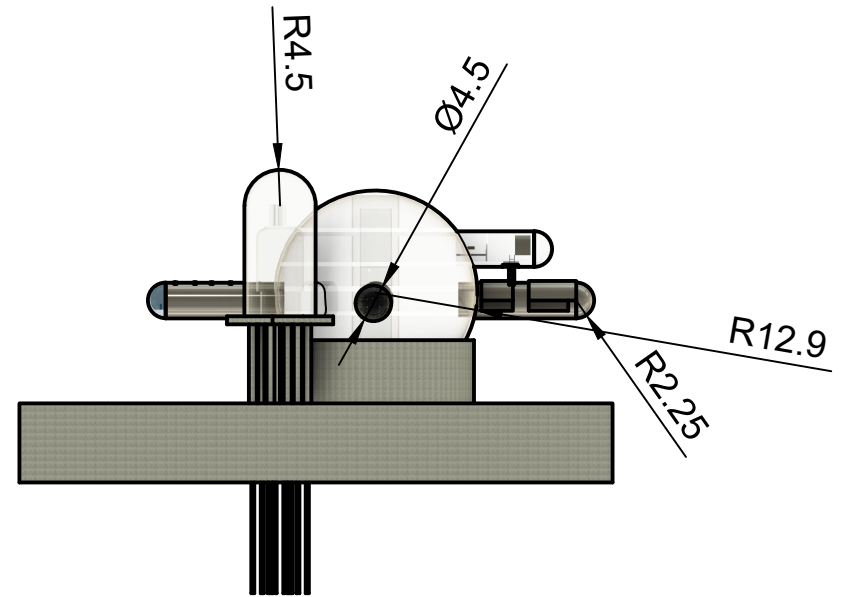
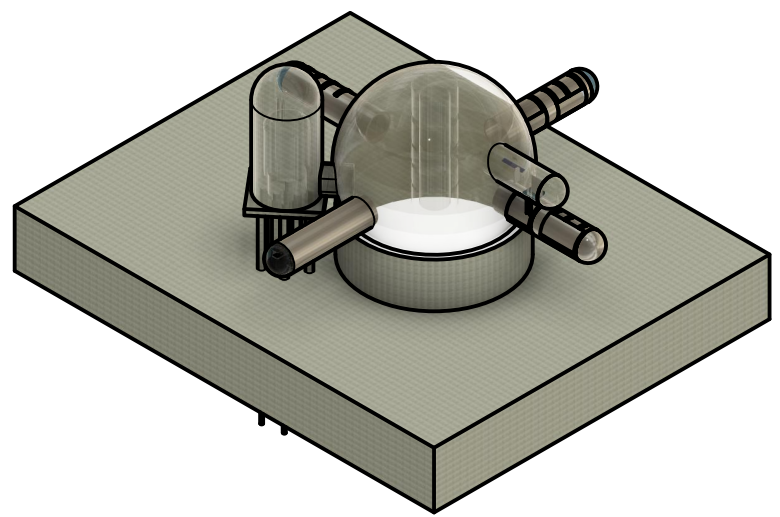
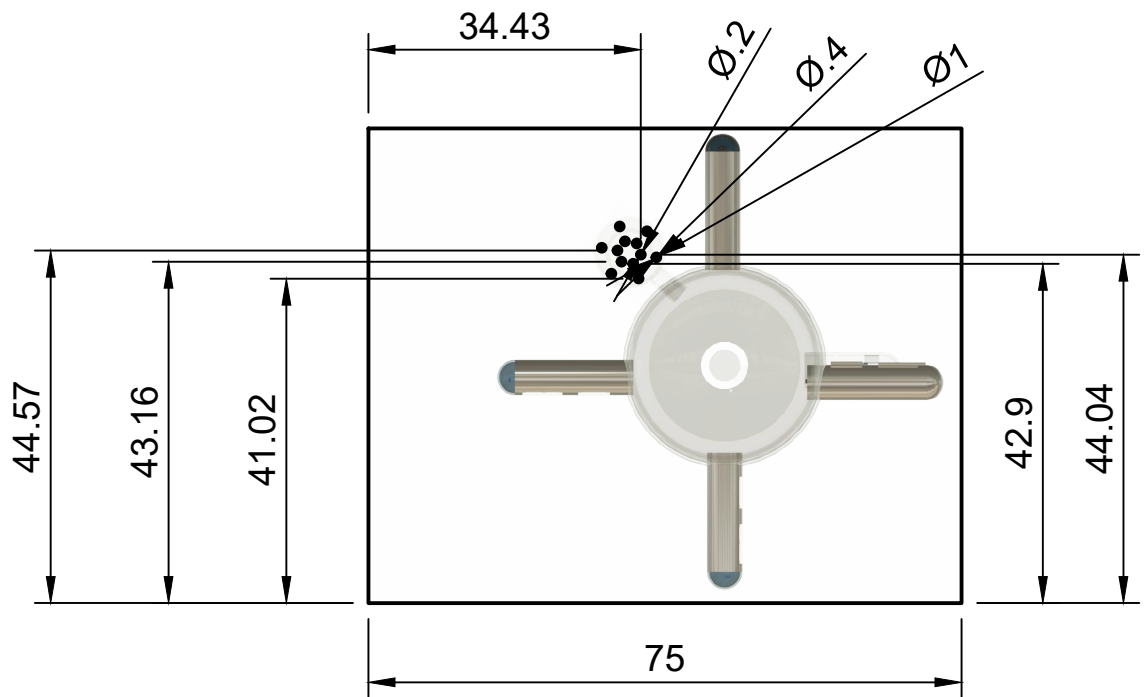
B

C

D

E

F



Dept.	Technical reference	Created by S ES	7/17/2024	Approved by	
		Document type	Document status		
		Title Main Hub Habitat	DWG No.		
		Rev.	Date of issue	Sheet 1/1	

1 2 3 4 5 6 7 8