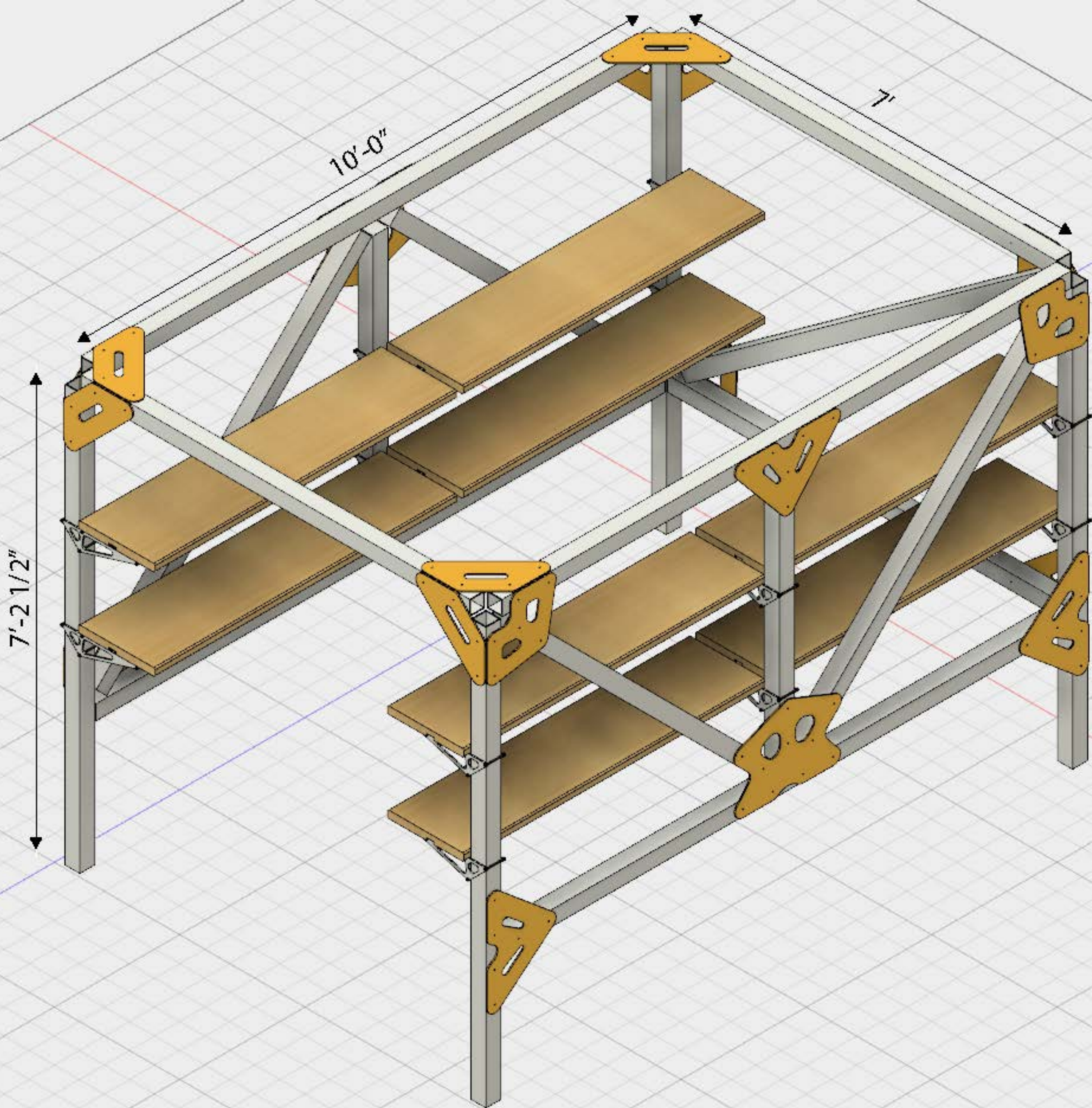


The Napparatius





ALUMINUM TUBE FRAMING

6061 3" BOX SECTION W/ $\frac{1}{8}$ " WALL

ALUMINUM PLATE GUSSETS

6061 $\frac{1}{4}$ " THICK PLATE

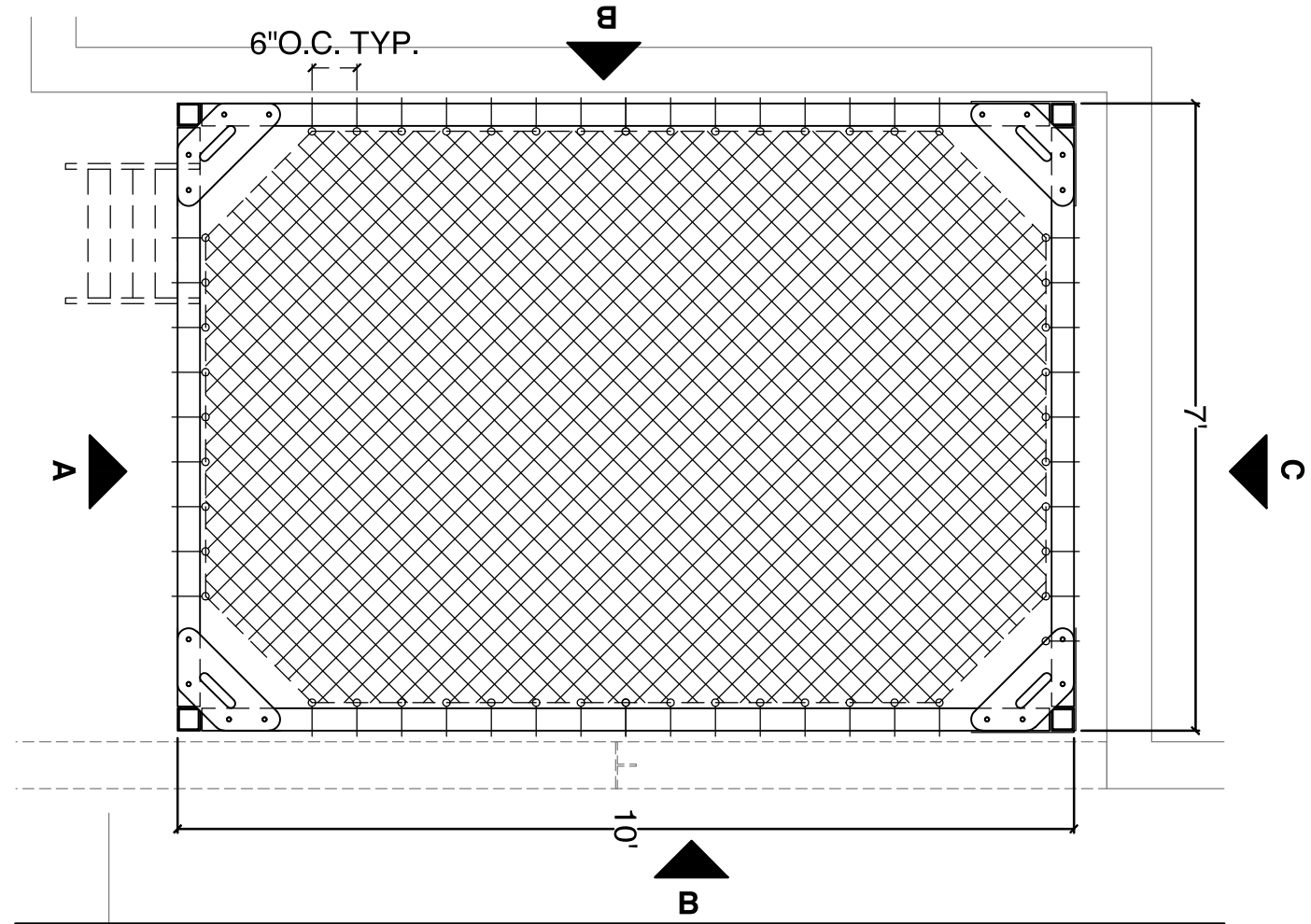
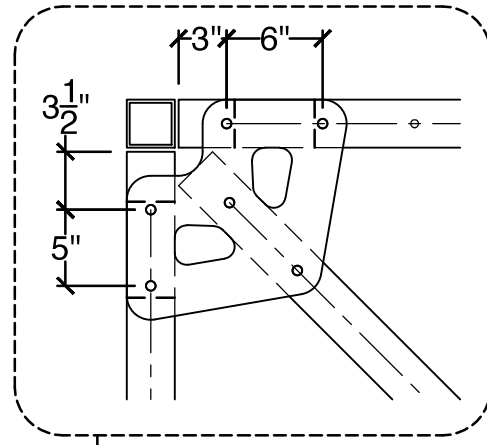
BOLTED CONNECTIONS

• $\frac{1}{2}$ "-13 GALVANIZED STEEL HEX BOLTS, 4" LONG.

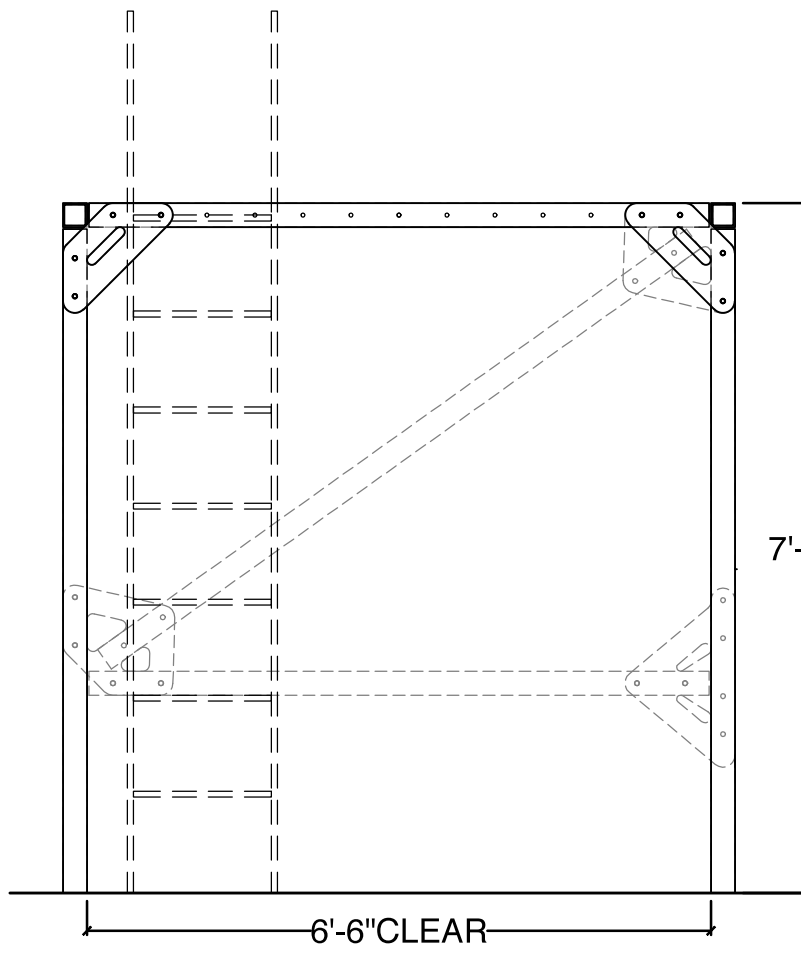
• $\frac{1}{2}$ "-13 NYLON CORE GALVANIZED STEEL LOCK WASHERS.

• $\frac{1}{2}$ "-13 GALVANIZED STEEL EYE BOLTS, 4 $\frac{1}{2}$ " LONG.

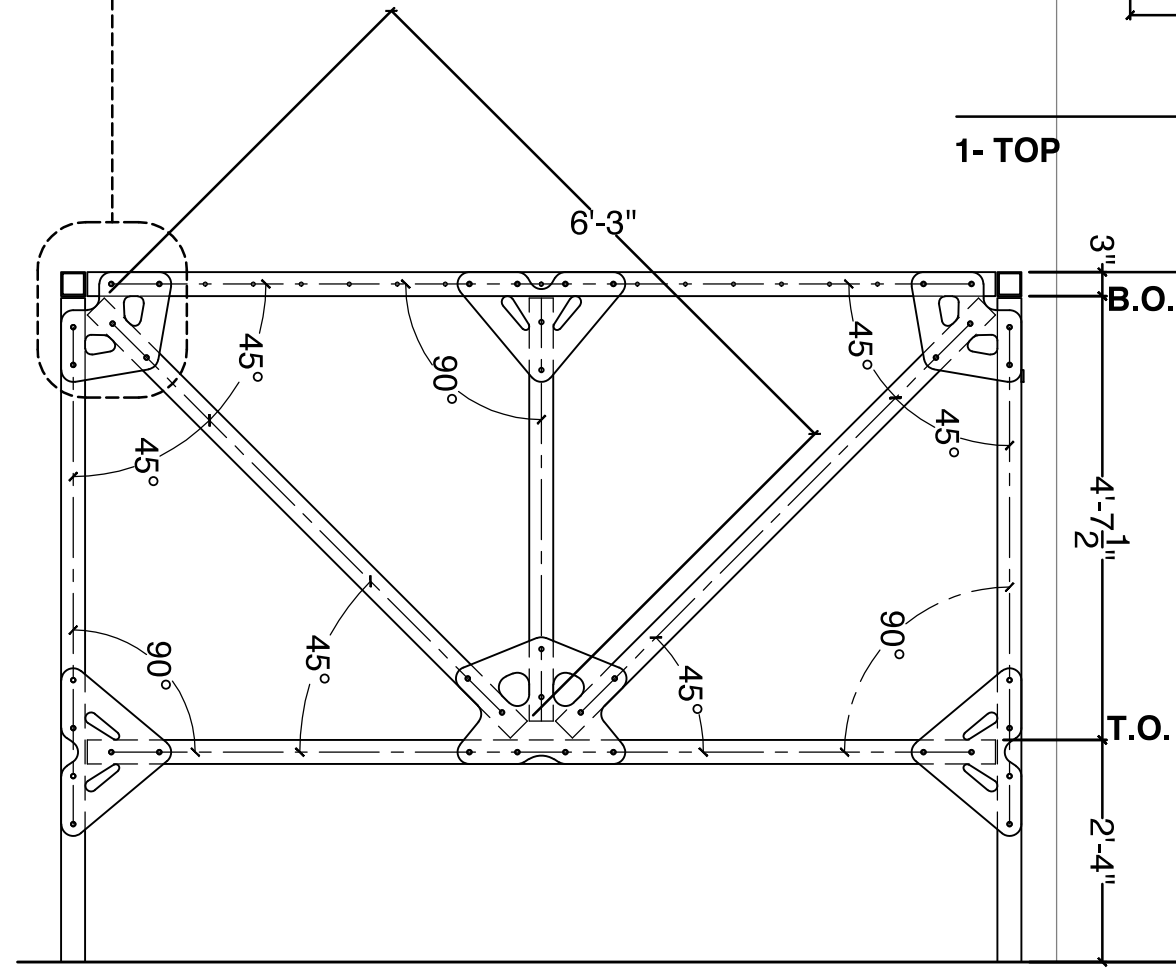
• NYLON WASHERS AT ALL BOLTED CONNECTIONS



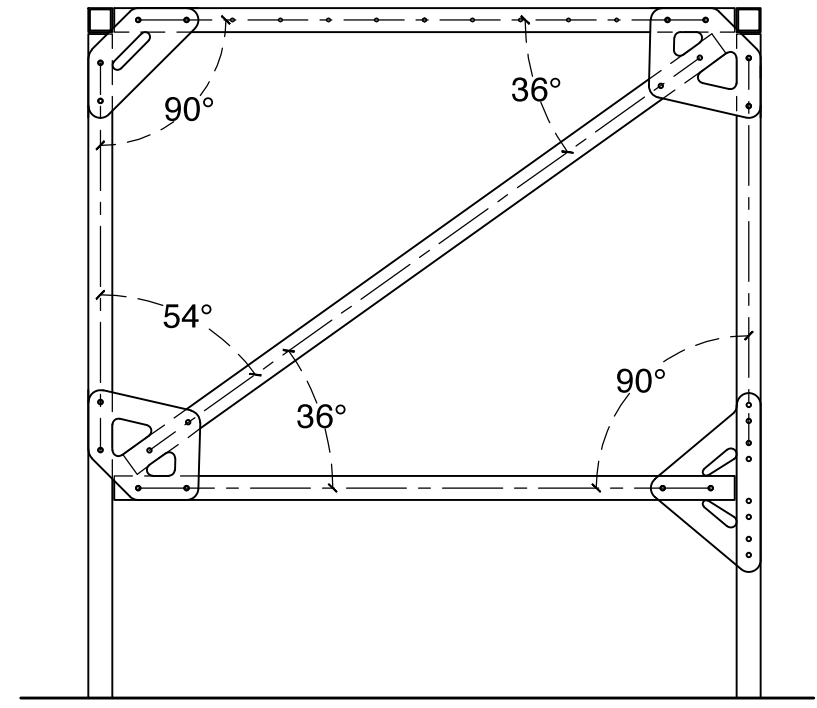
1- TOP



A- FRONT SIDE

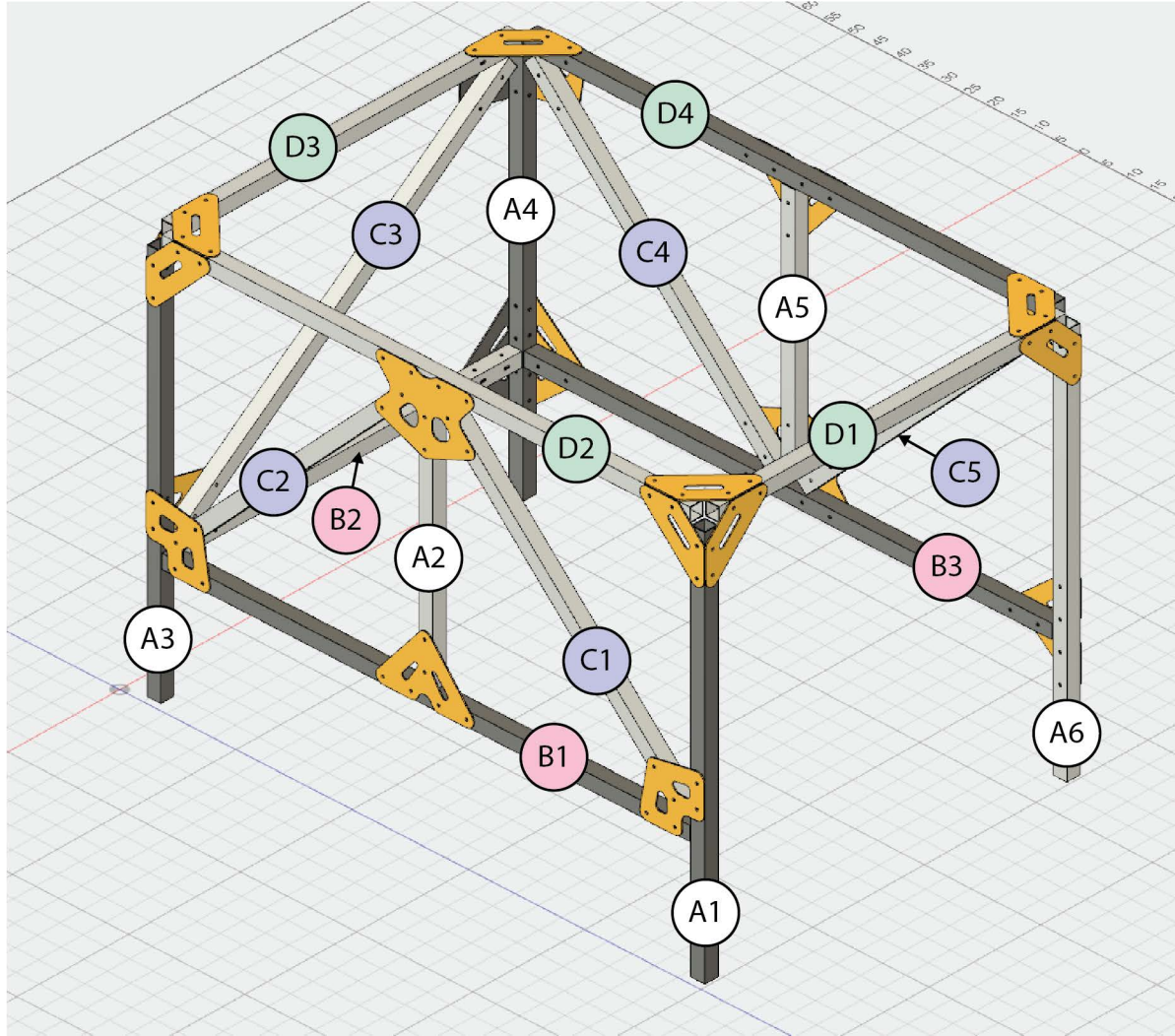


B- LEFT OR RIGHT SIDE (IDENTICAL)

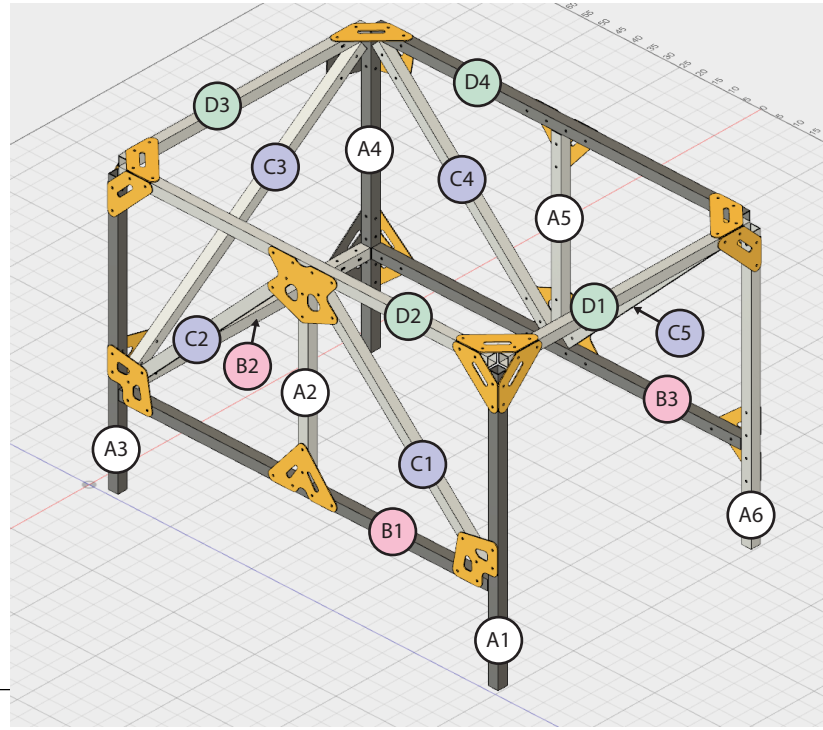


C- BACK SIDE

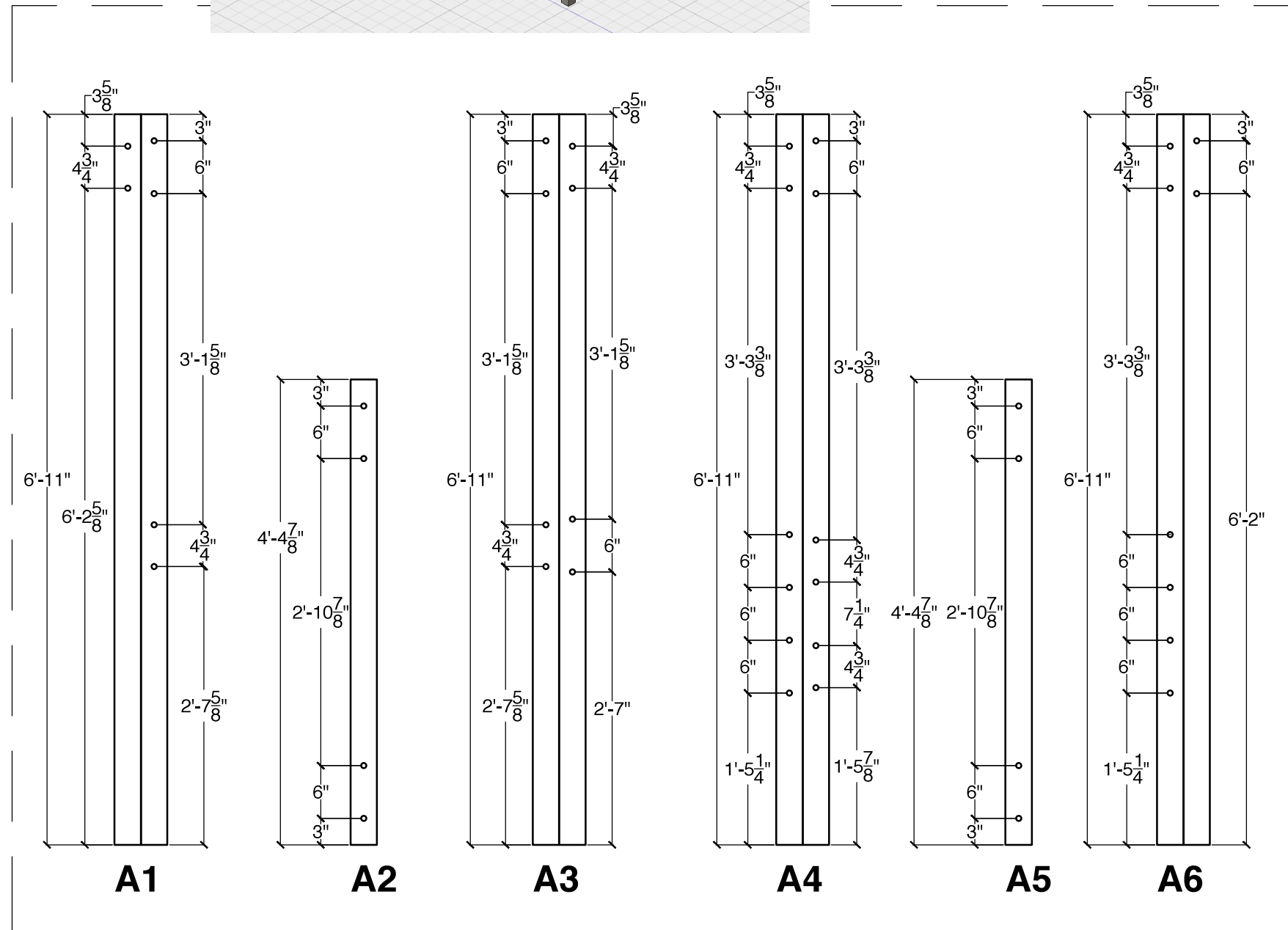
- A** POSTS
- B** LOWER BEAMS
- C** CROSS BRACES
- D** UPPER BEAMS



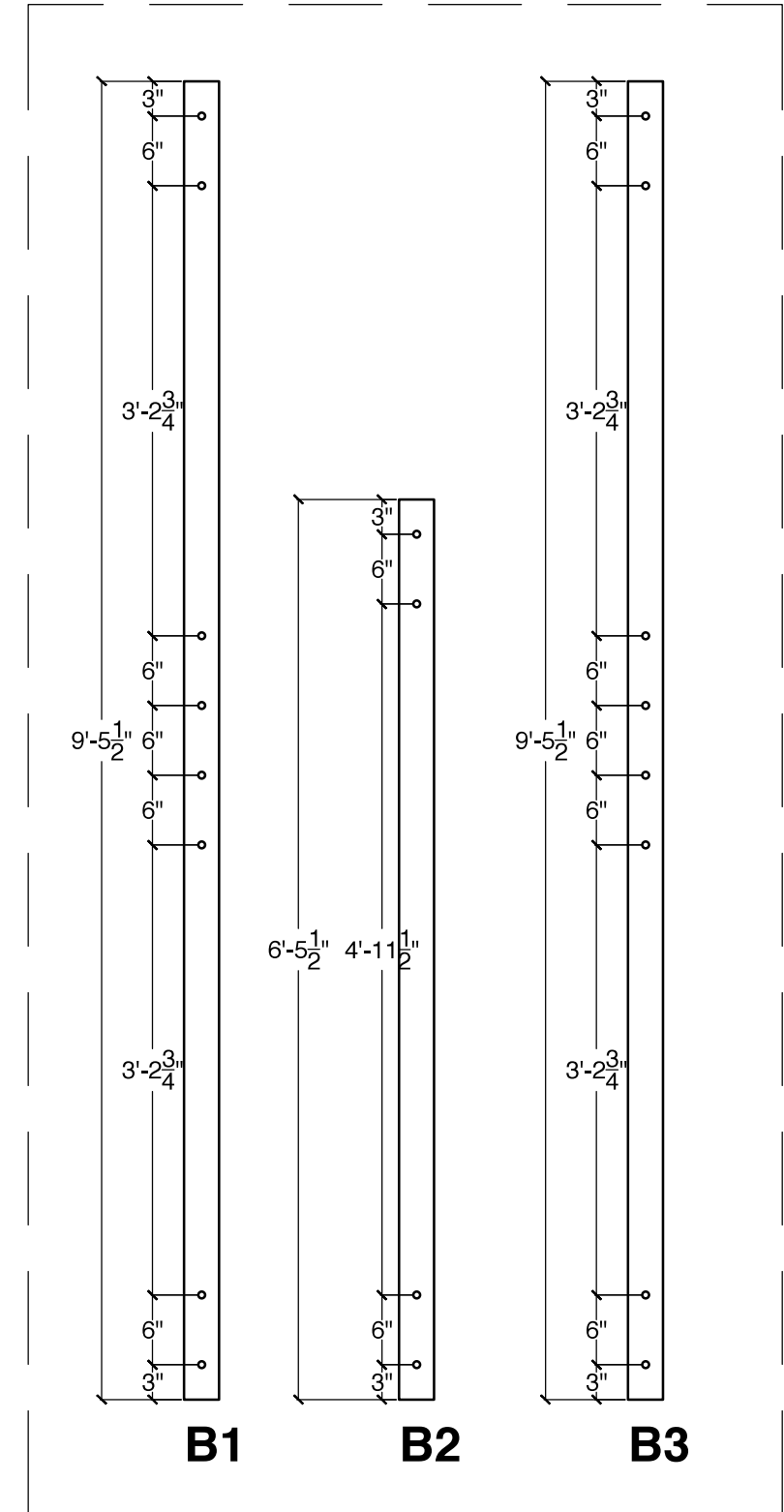
- A POSTS
- B LOWER BEAMS
- C CROSS BRACES
- D UPPER BEAMS



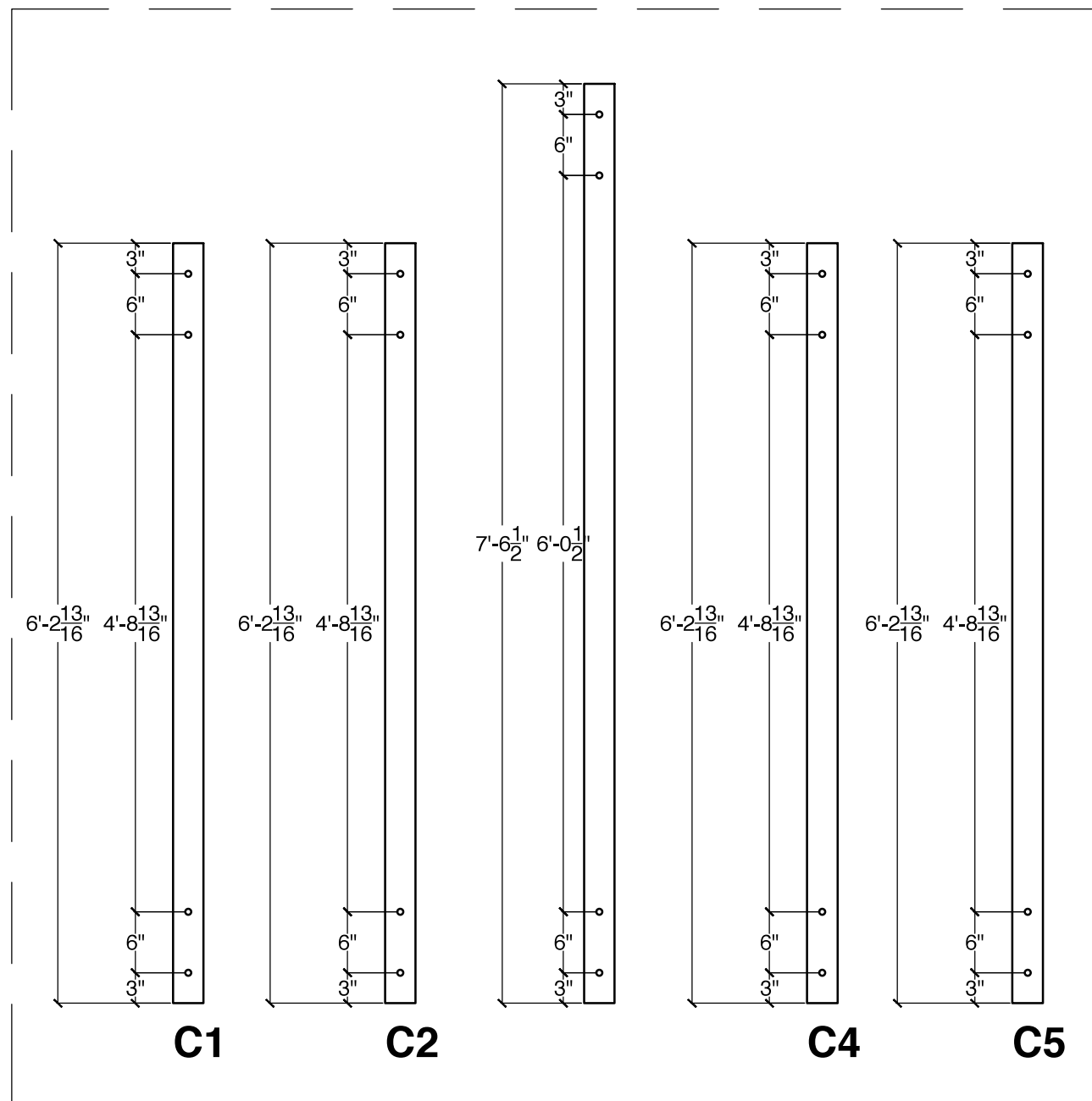
A: POSTS



B: LOWER BEAMS

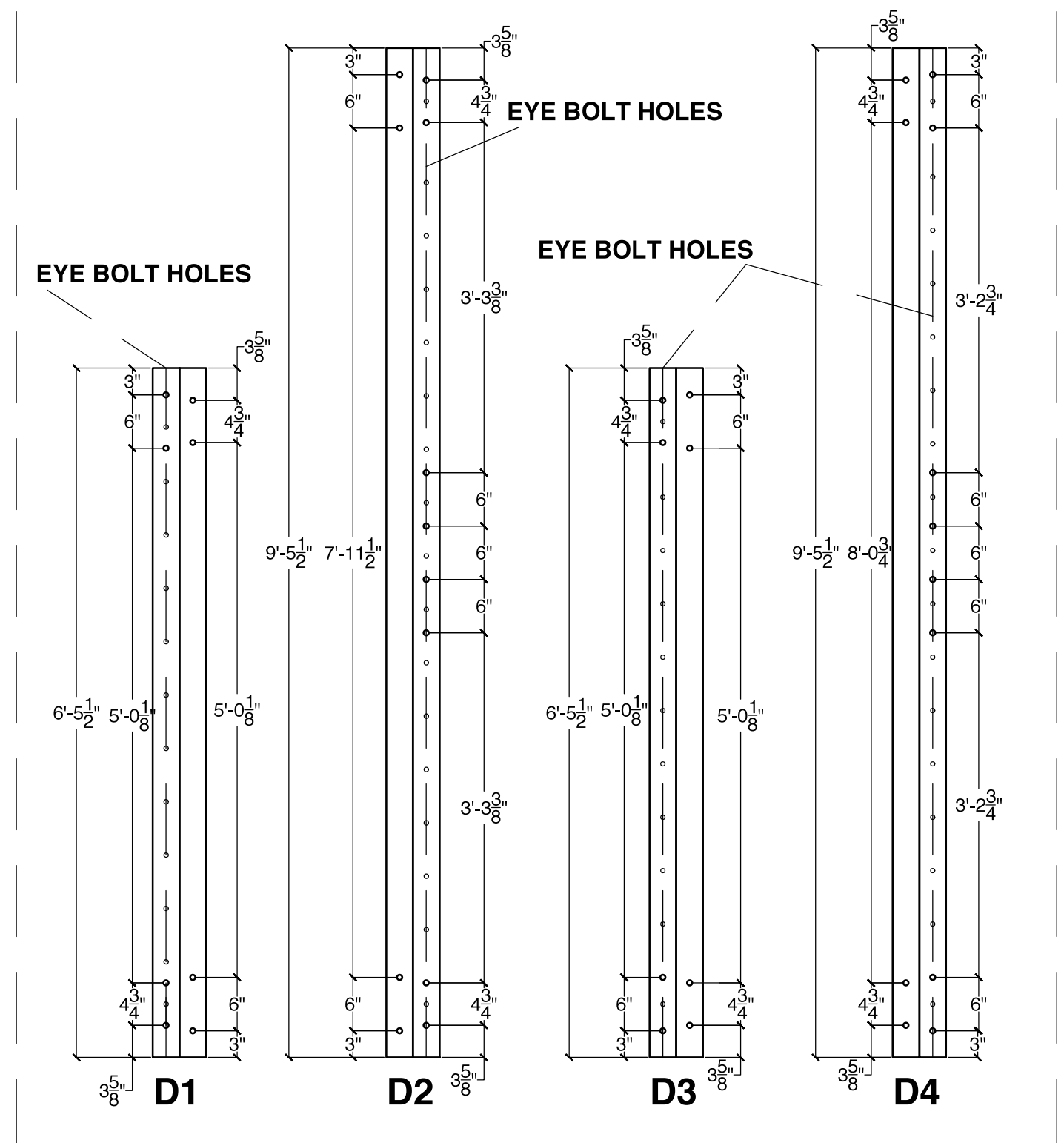


C: CROSS BEAMS



D: UPPER BEAMS

1/2" Ø EYE BOLT HOLES DRILLED @ 6" O.C. EVENLY SPACED



1/4" WATERJET ALUMINUM PLATE

2X16 SHELF

1/4"-20 NYLON
THUMB SCREW

1/2" FLEXIBLE NYLON TUBE O/
9/32" ALUMINUM TUBE O/
1/4"-20 X 4" THREADED STUD
NUTS ON ENDS

2X4 BEAM

