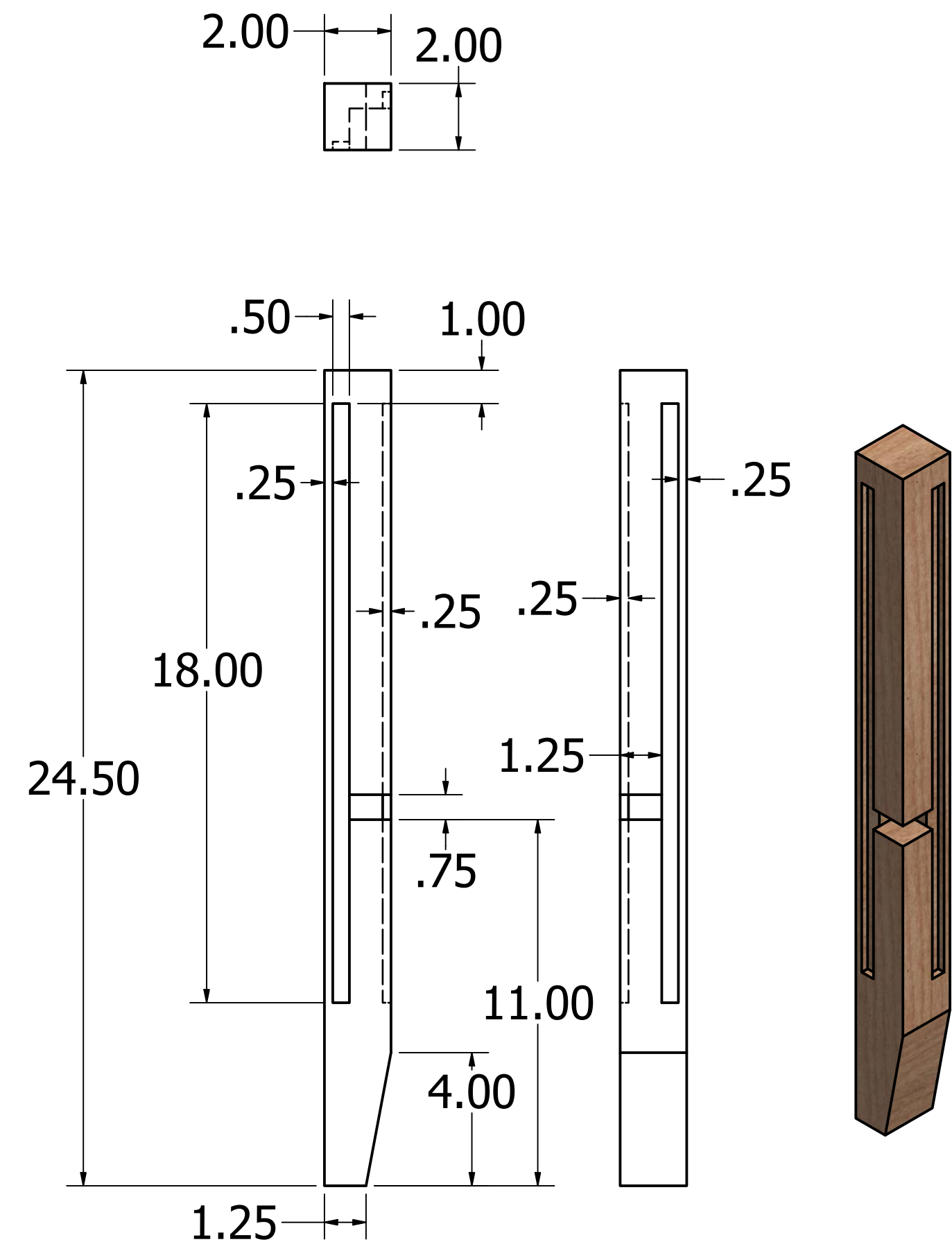
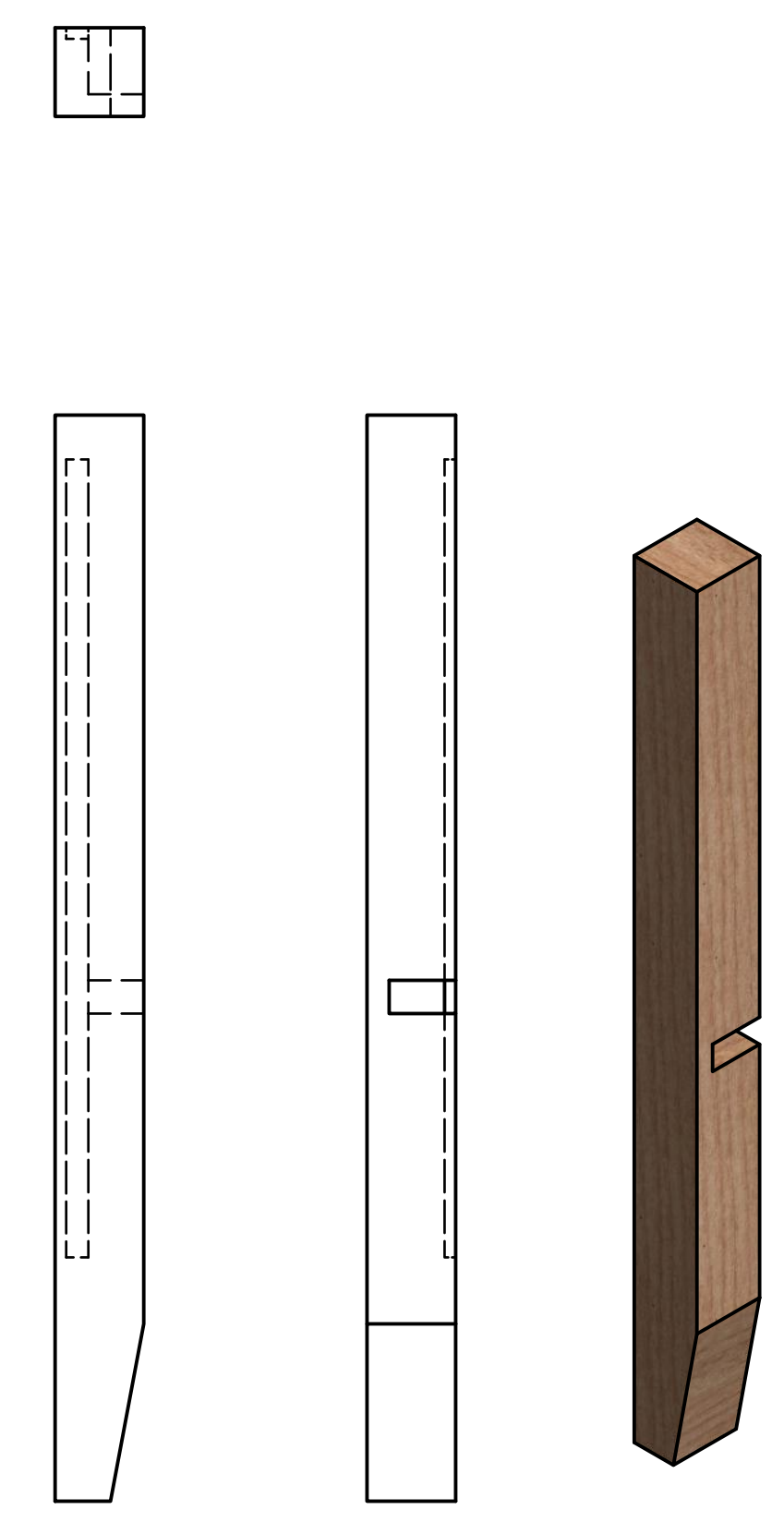


Kevin Culver	6/8/2021	https://kevswoodworks.com kev@kcwworks.com		
		TITLE		
		Nightstand		
		SIZE	DWG NO	REV
		D	Nightstand	
		SCALE	.25	SHEET 1 OF 10





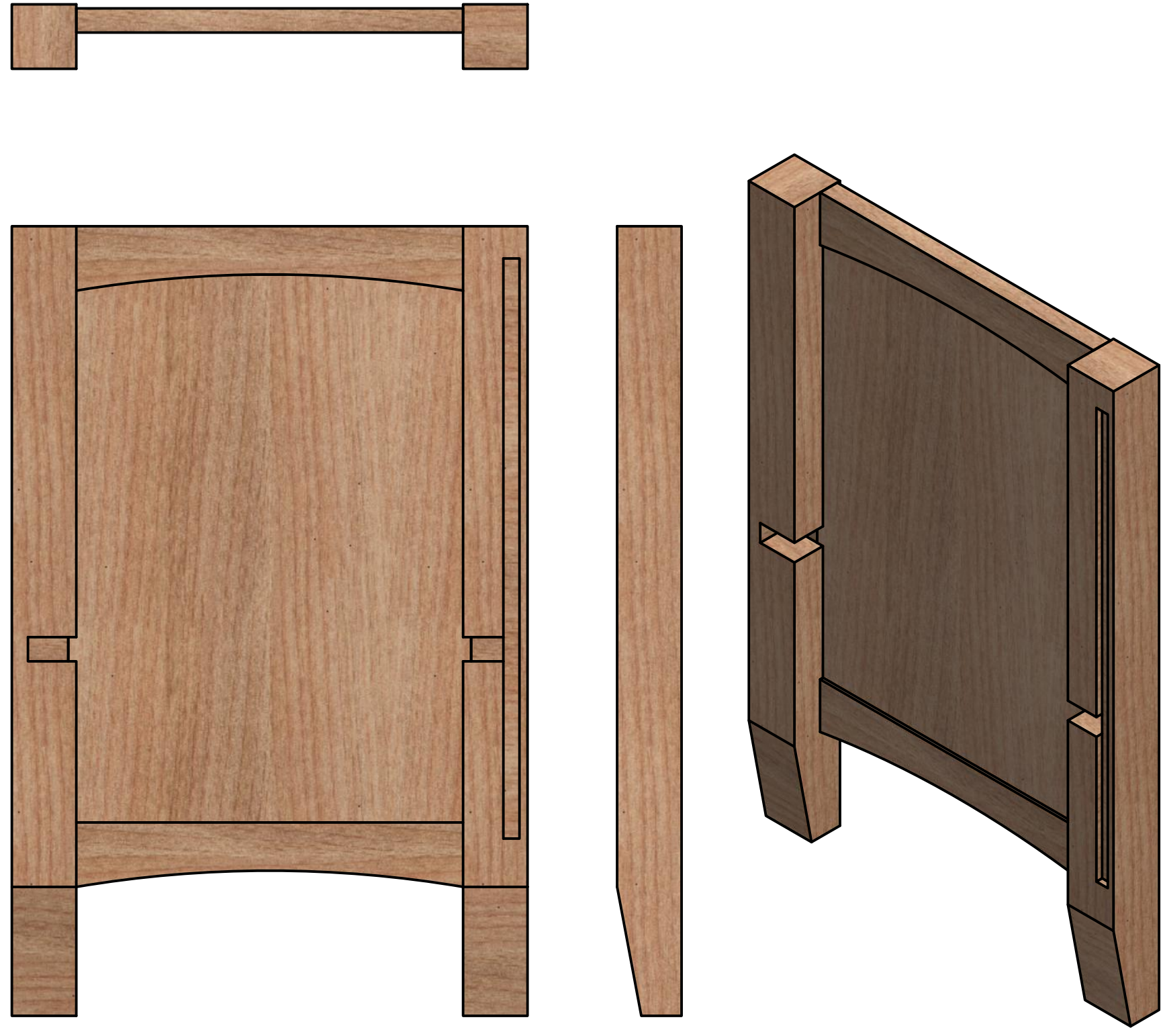
Leg - Left Rear



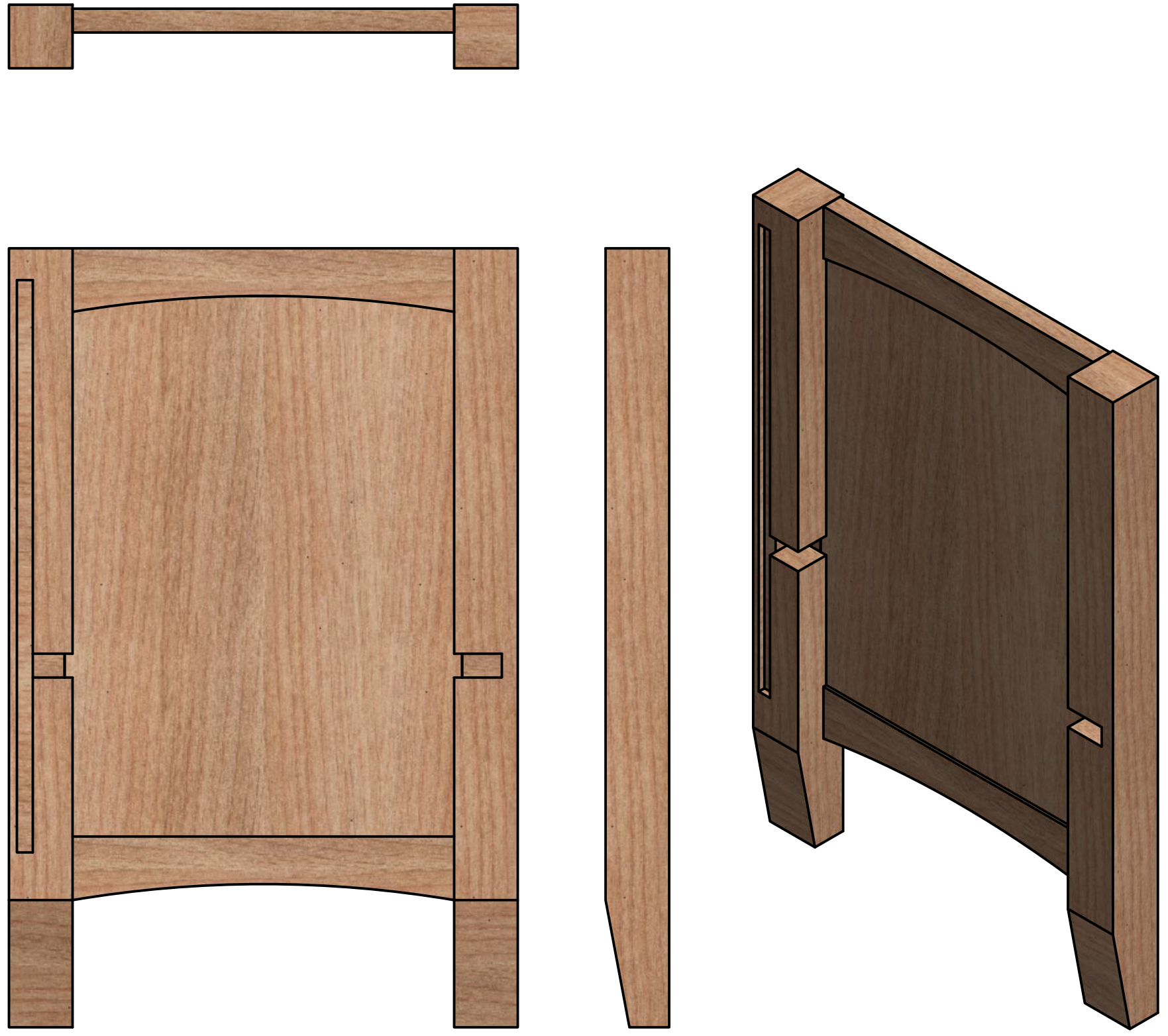
Leg - Left Front

(Mirror Image for Right Legs)

Kevin Culver	6/8/2021	https://kevswoodworks.com kev@kcwworks.com		
		TITLE		
		Nightstand		
		SIZE	DWG NO	REV
		D	Nightstand	
		SCALE	.25	SHEET 2 OF 10



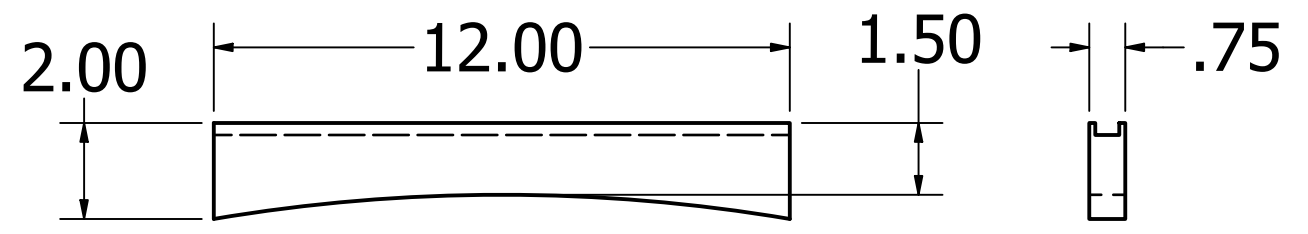
Leg Assy - Left



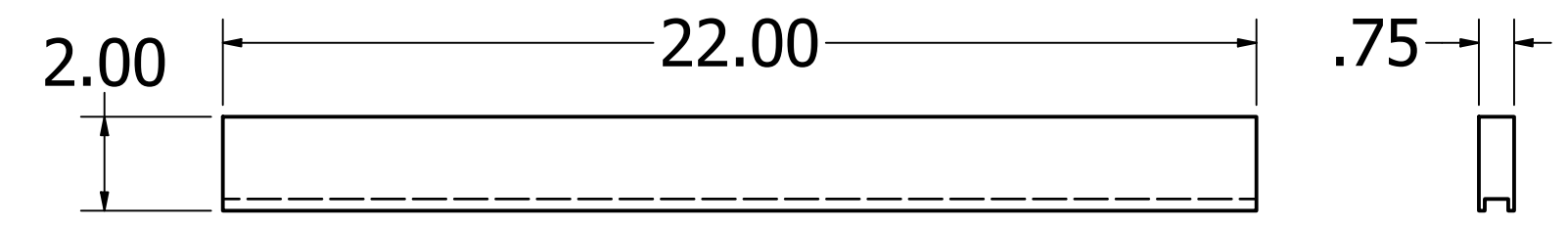
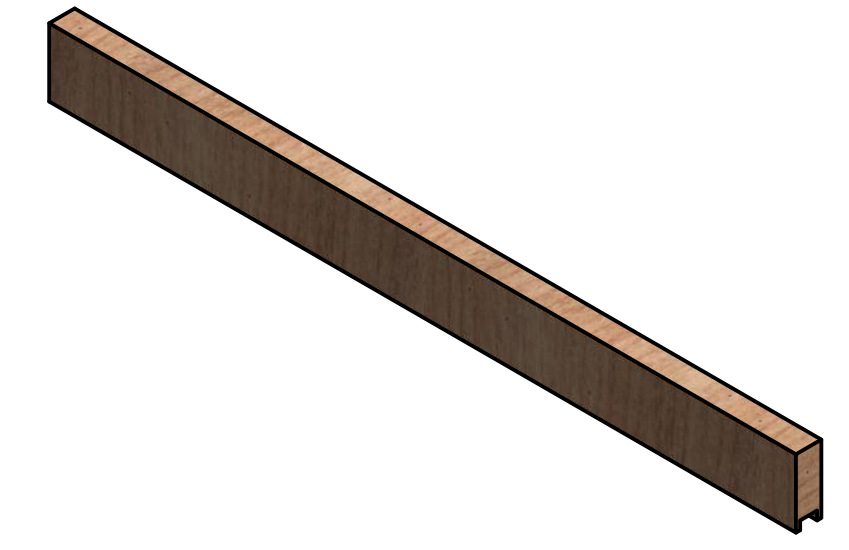
Leg Assy - Right

Kevin Culver	6/8/2021	https://kevswoodworks.com kev@kcwworks.com		
		TITLE		
		Nightstand		
		SIZE	DWG NO	REV
		D	Nightstand	
		SCALE	.25	SHEET 3 OF 10

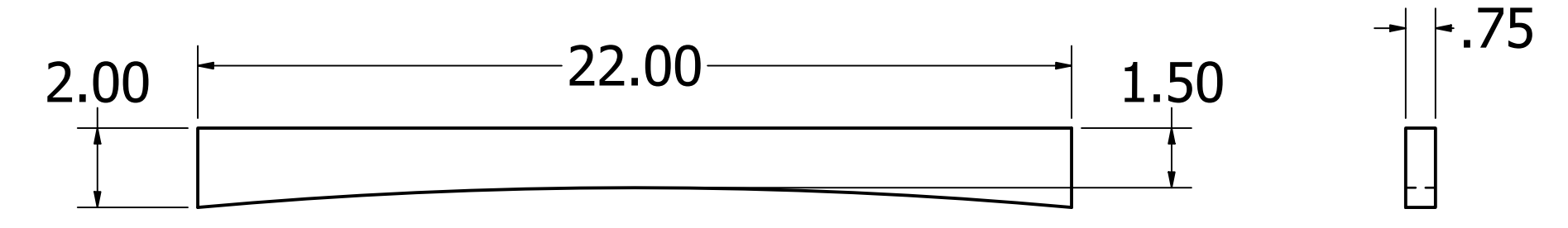
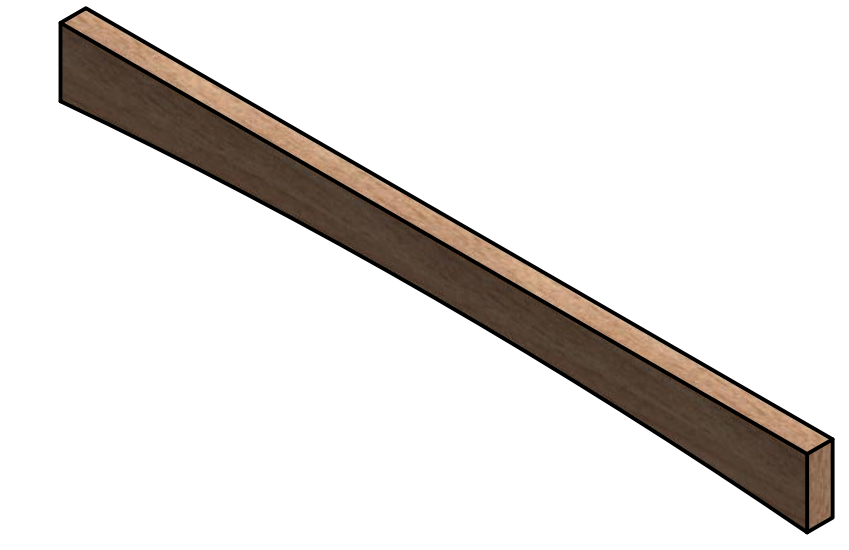




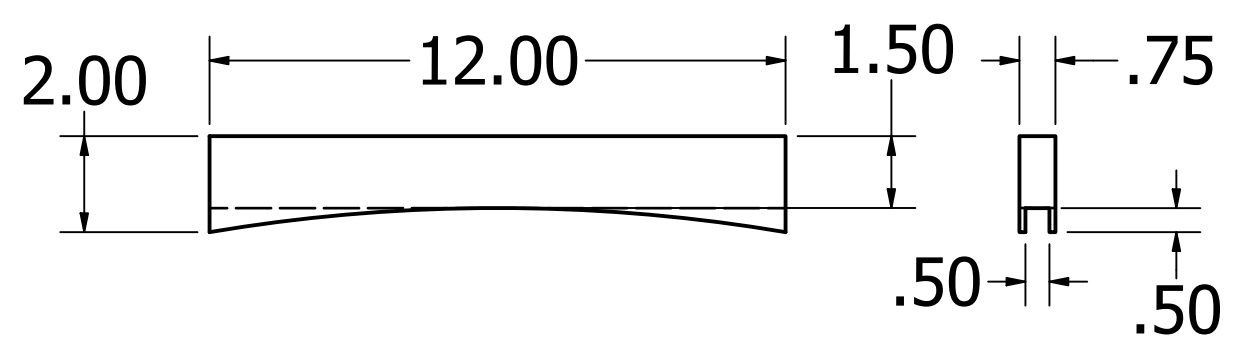
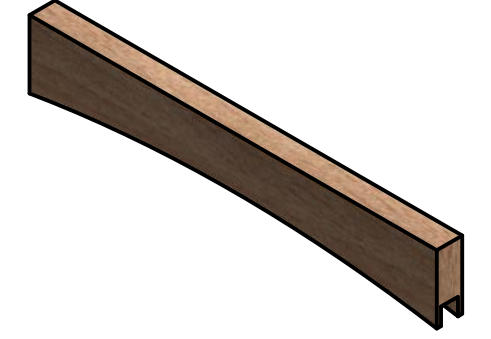
Side Lower Rail



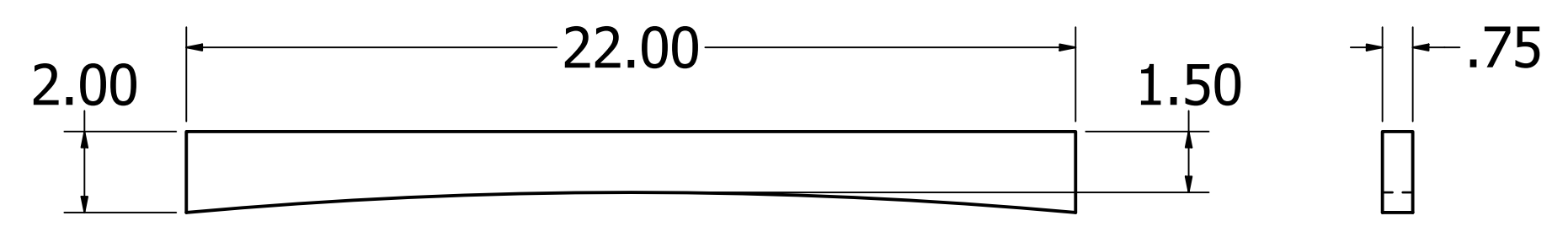
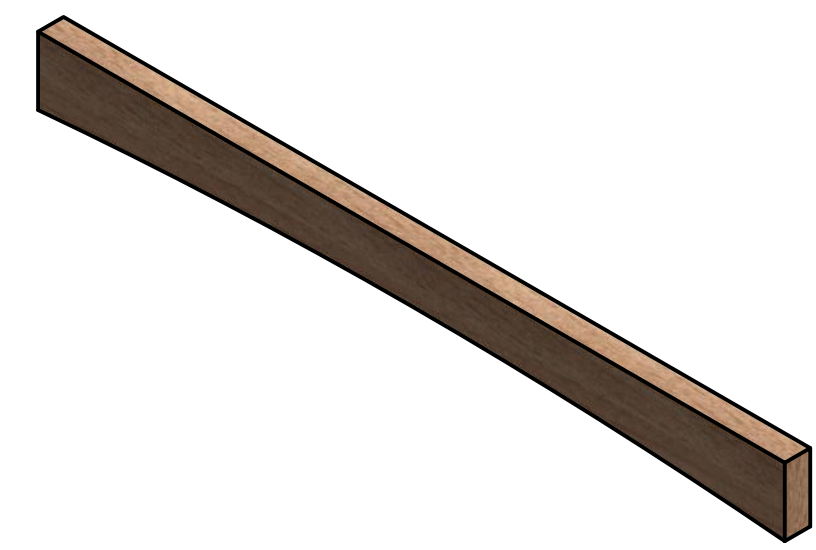
Back Upper Rail



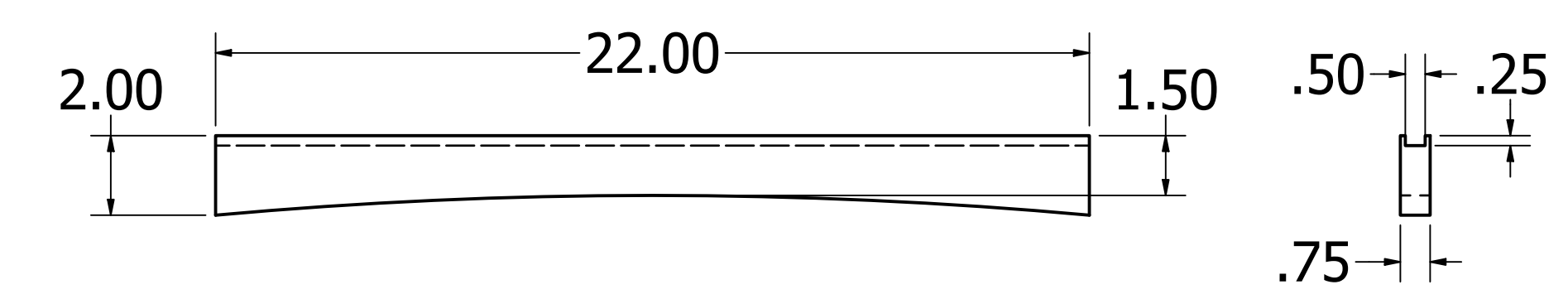
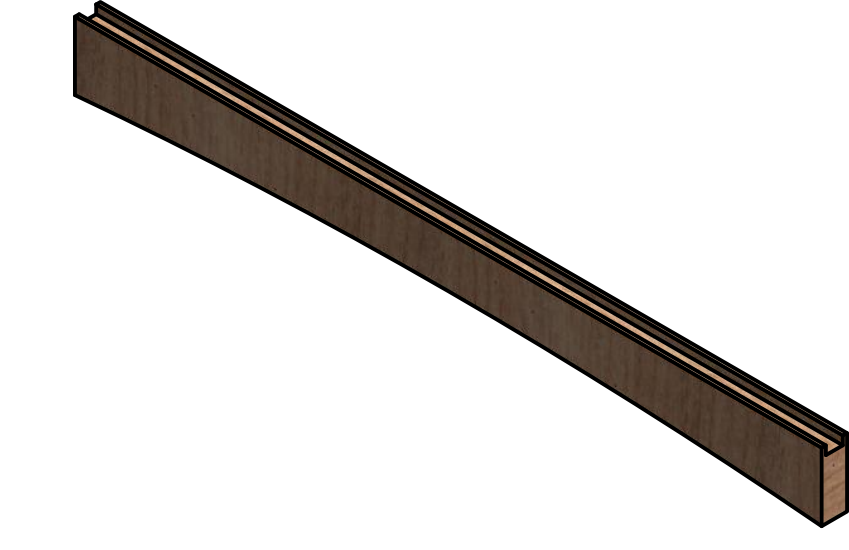
Front Lower Rail



Side Upper Rail

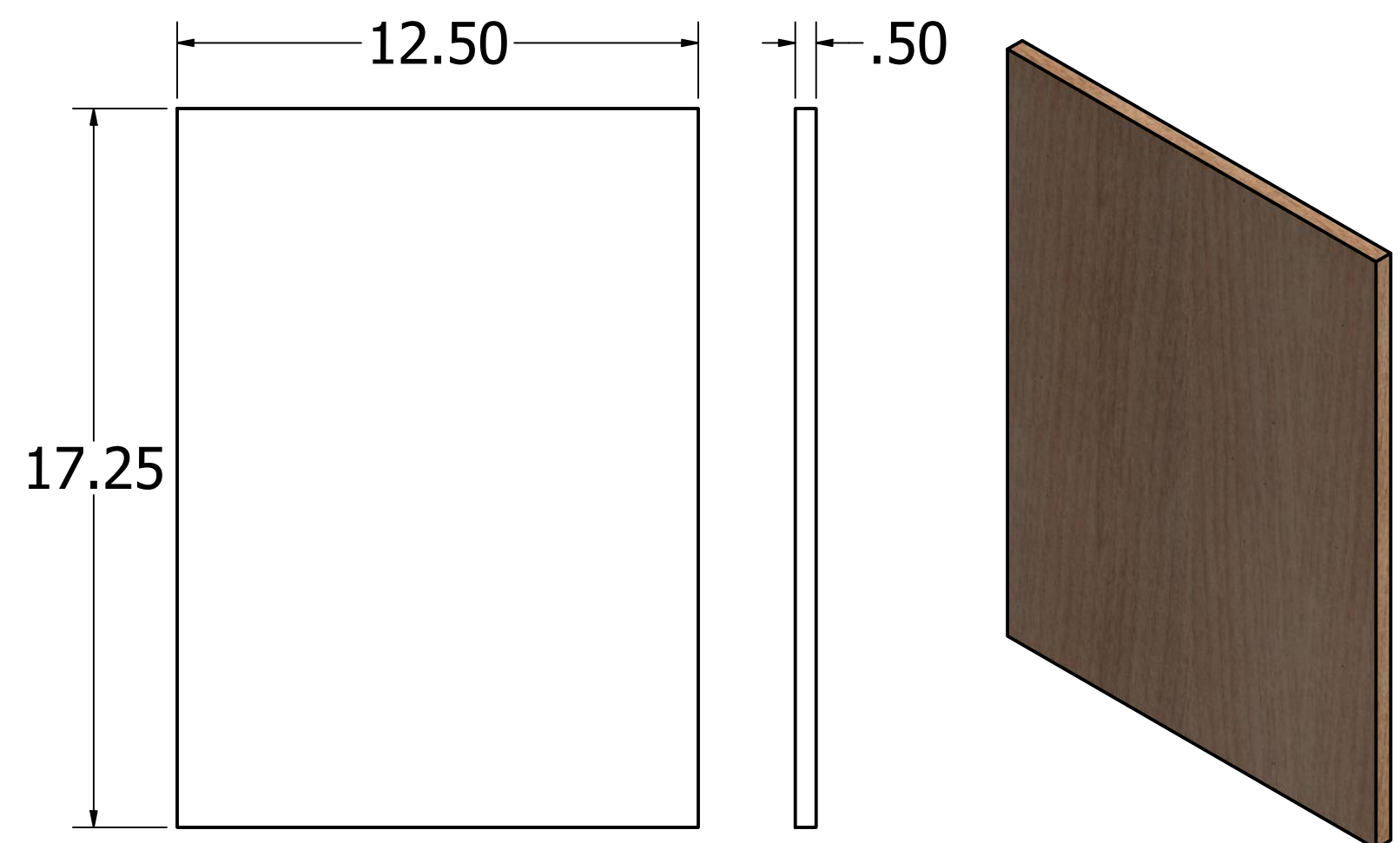


Front Upper Rail

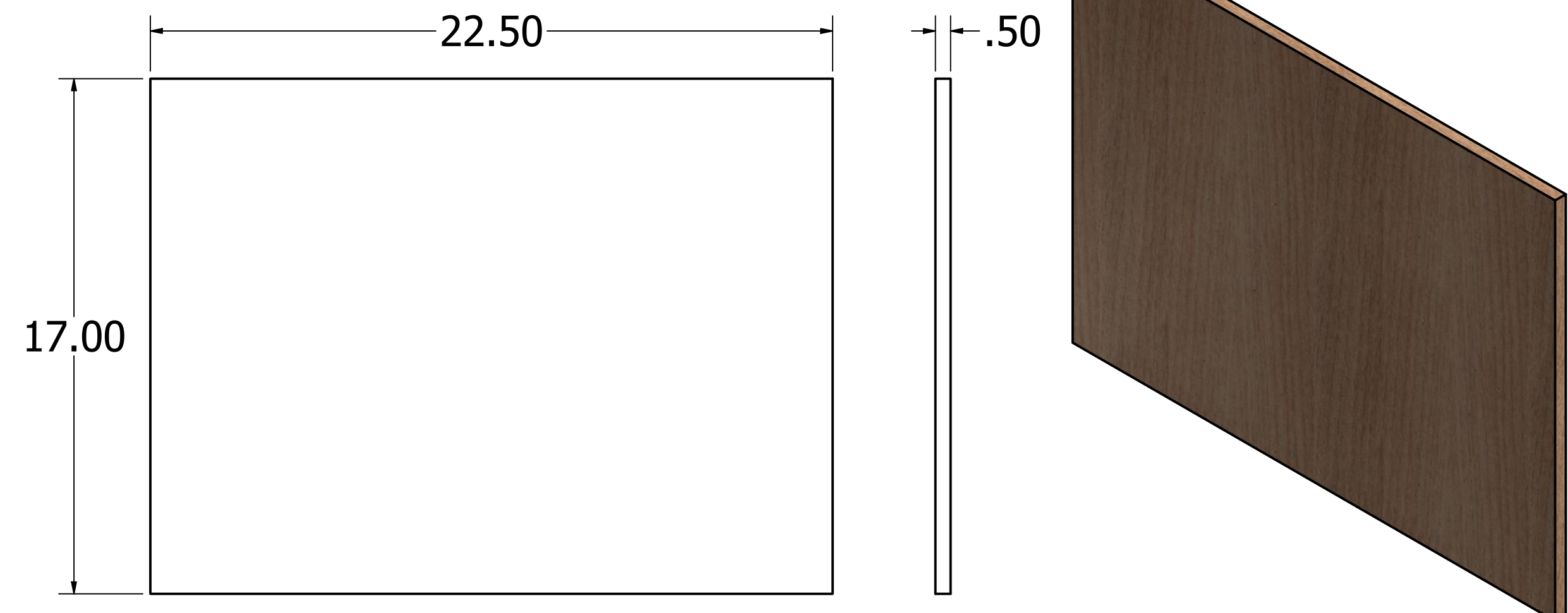


Rear Lower Rail

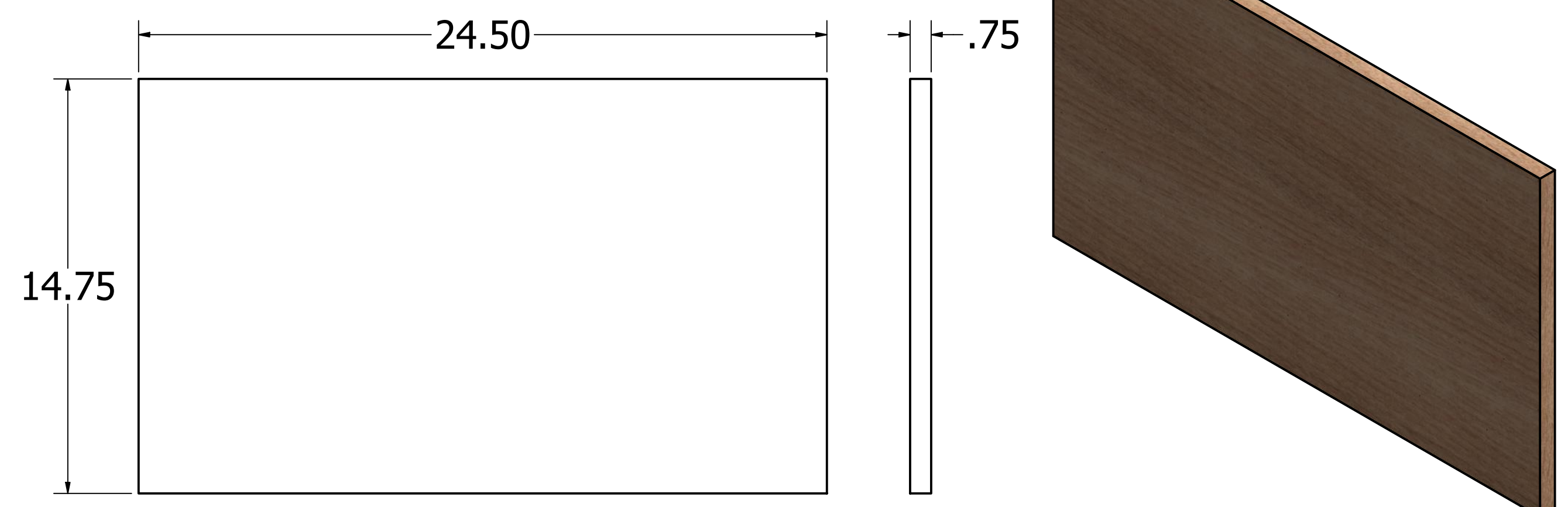
Kevin Culver	6/8/2021	<a href="https://kevswoodworks.com">https://kevswoodworks.com</a> kev@kcwworks.com		
		TITLE Nightstand		
		SIZE D	DWG NO Nightstand	REV
		SCALE .25	SHEET 4 OF 10	



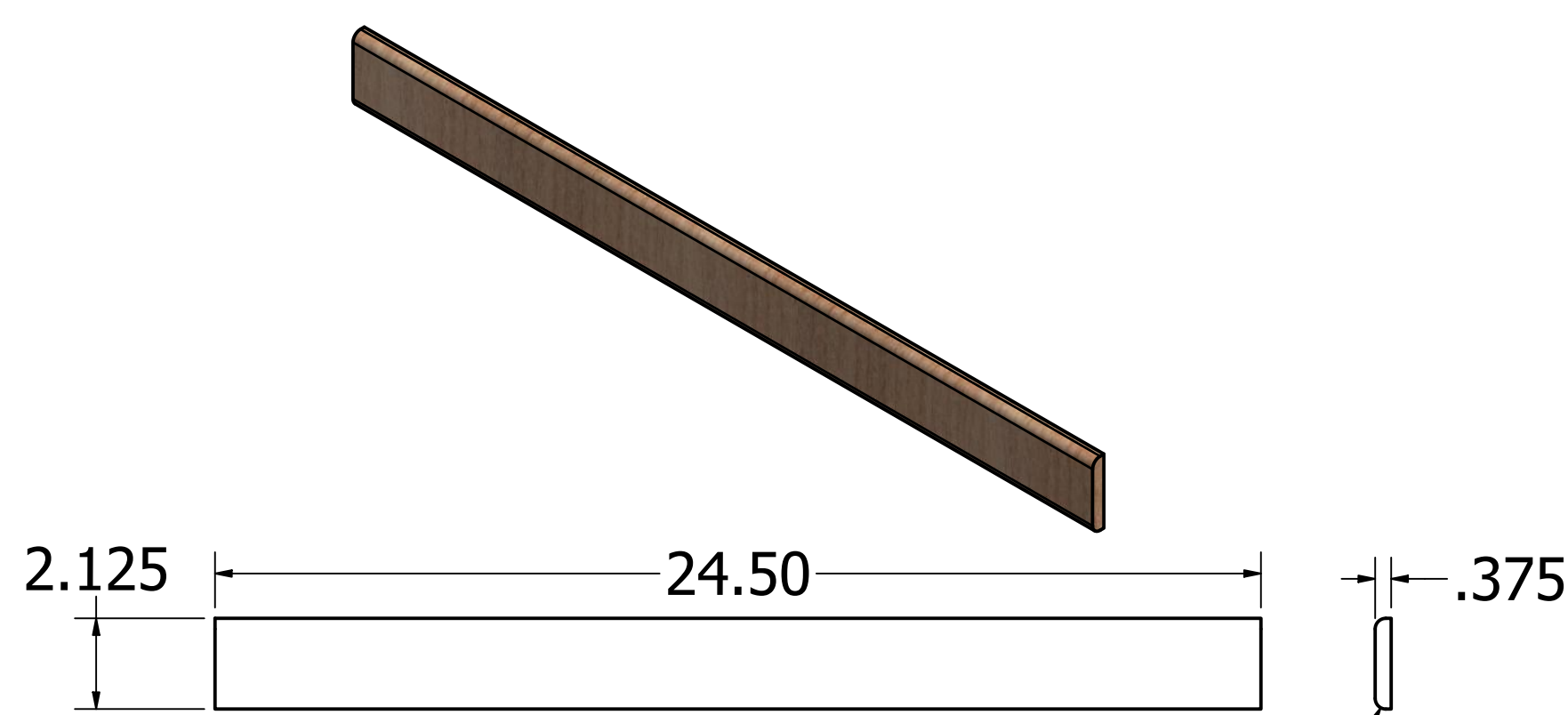
Side Panel (x2)



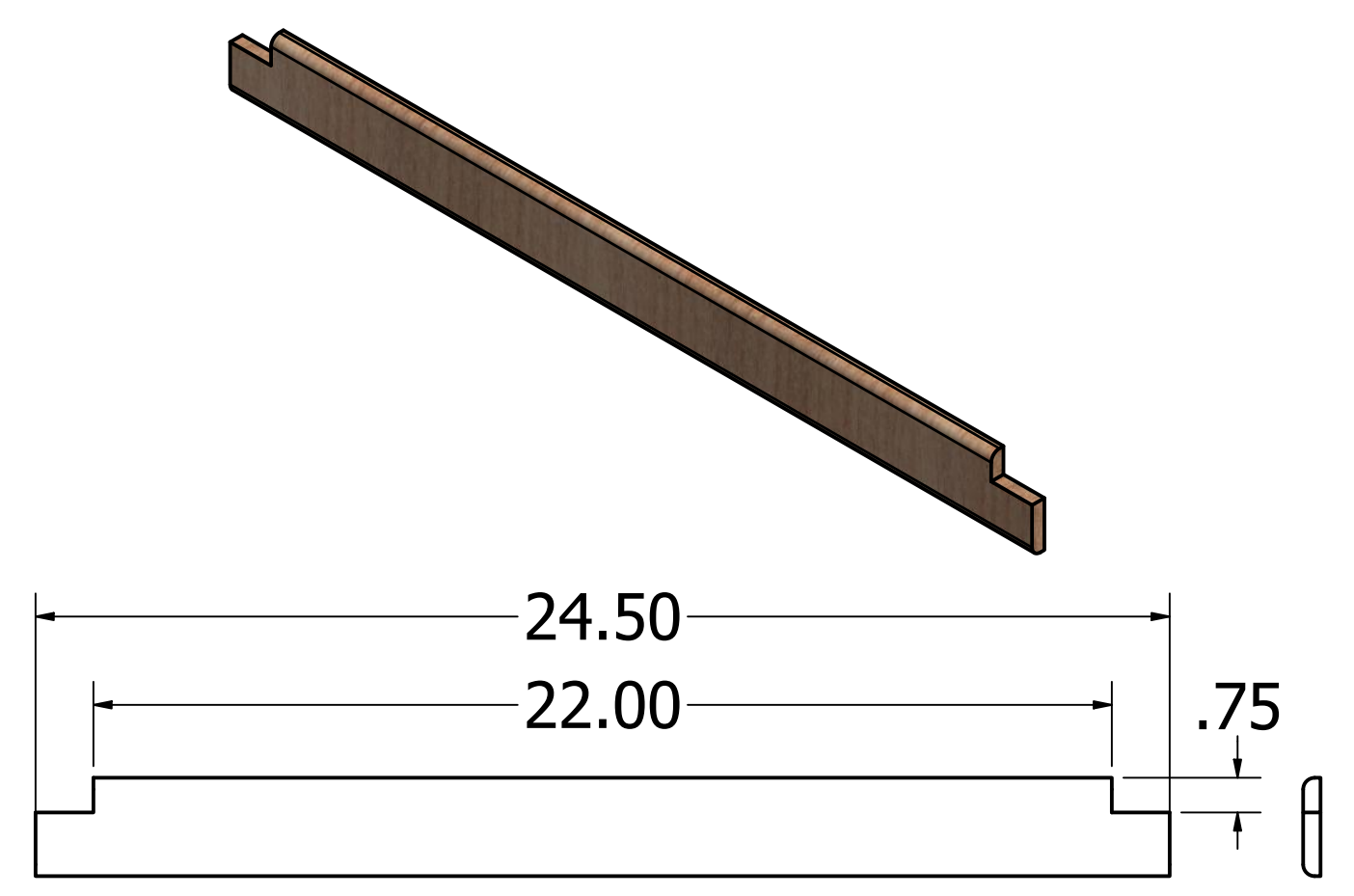
Rear Panel



Dust Panel



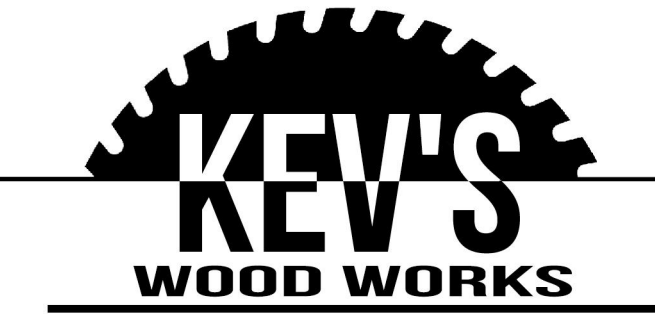
Slat (x4)



Slat (x2)

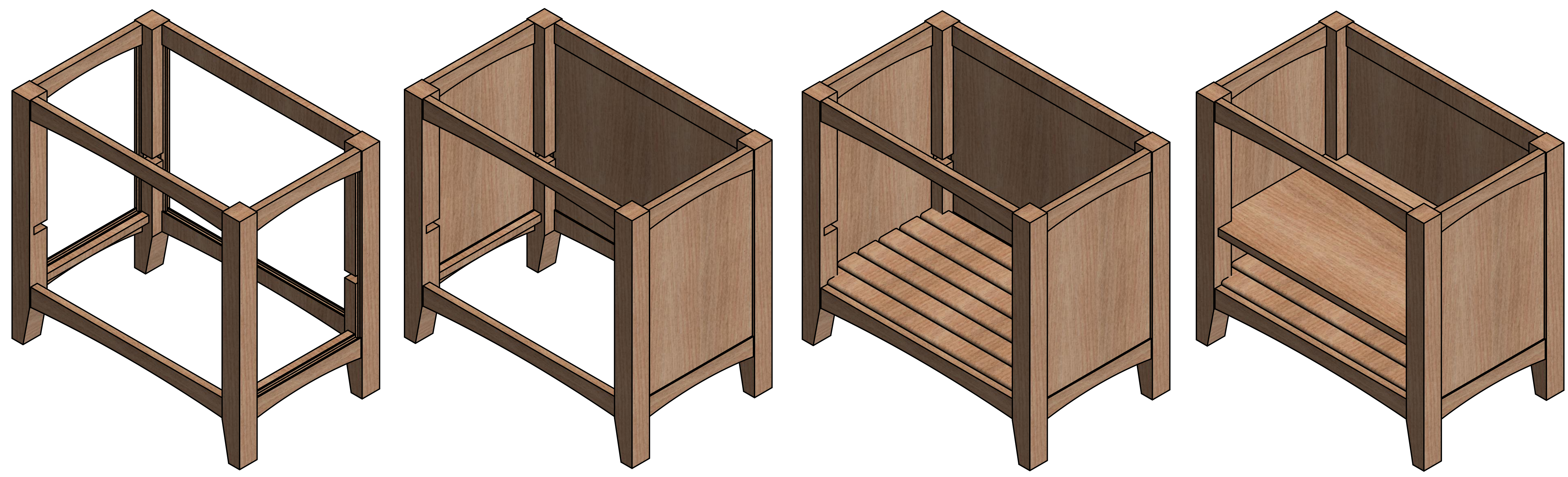
Kevin Culver	6/8/2021	<a href="https://kevswoodworks.com">https://kevswoodworks.com</a> kev@kcwworks.com		
		TITLE		
		Nightstand		
		SIZE	DWG NO	REV
		D	Nightstand	
		SCALE	.25	SHEET 5 OF 10





Kevin Culver	6/8/2021	https://kevswoodworks.com kev@kcwworks.com		
		TITLE		
		Nightstand		
		SIZE	DWG NO	REV
		D	Nightstand	
		SCALE	1 / 4	SHEET 6 OF 10

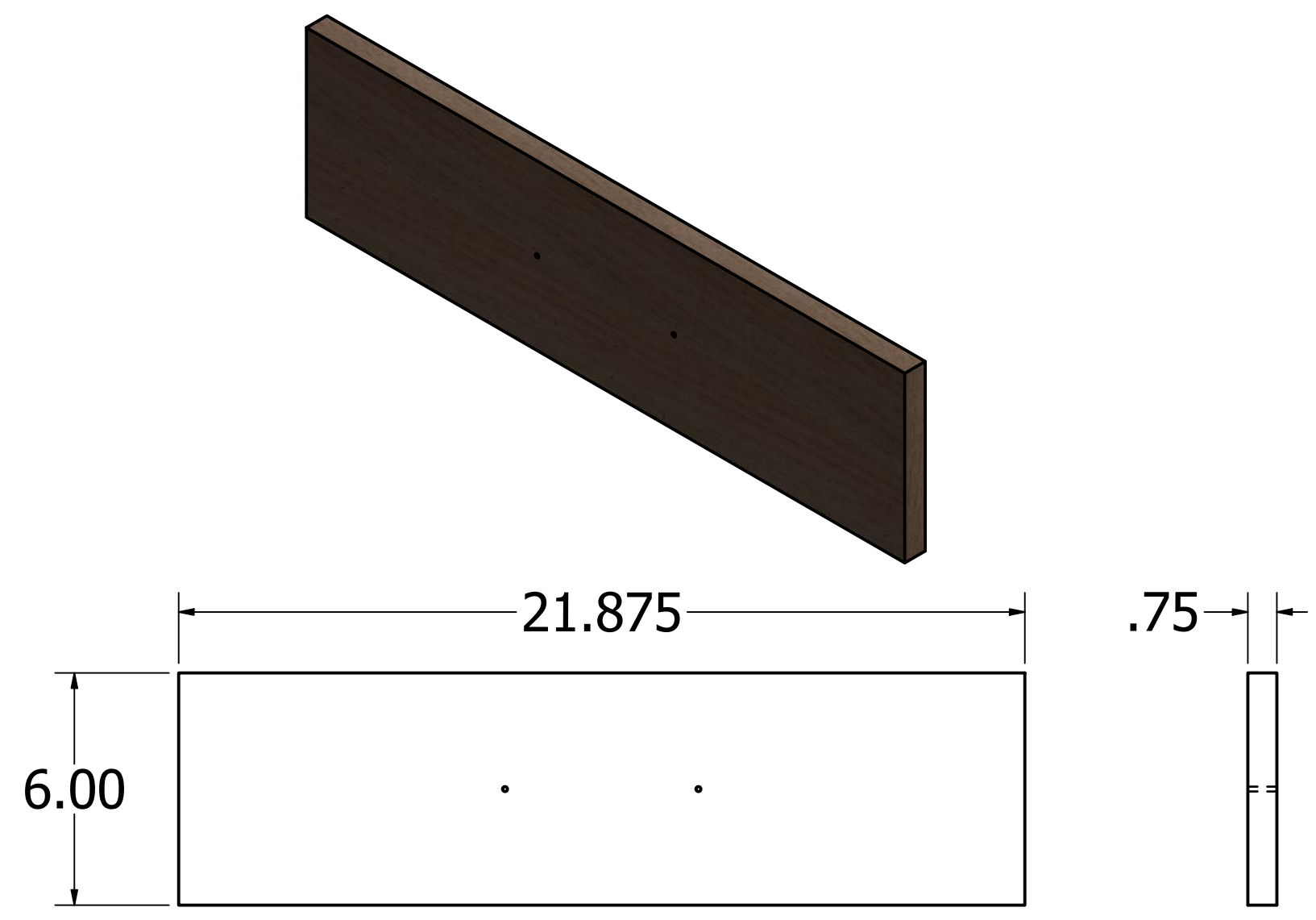




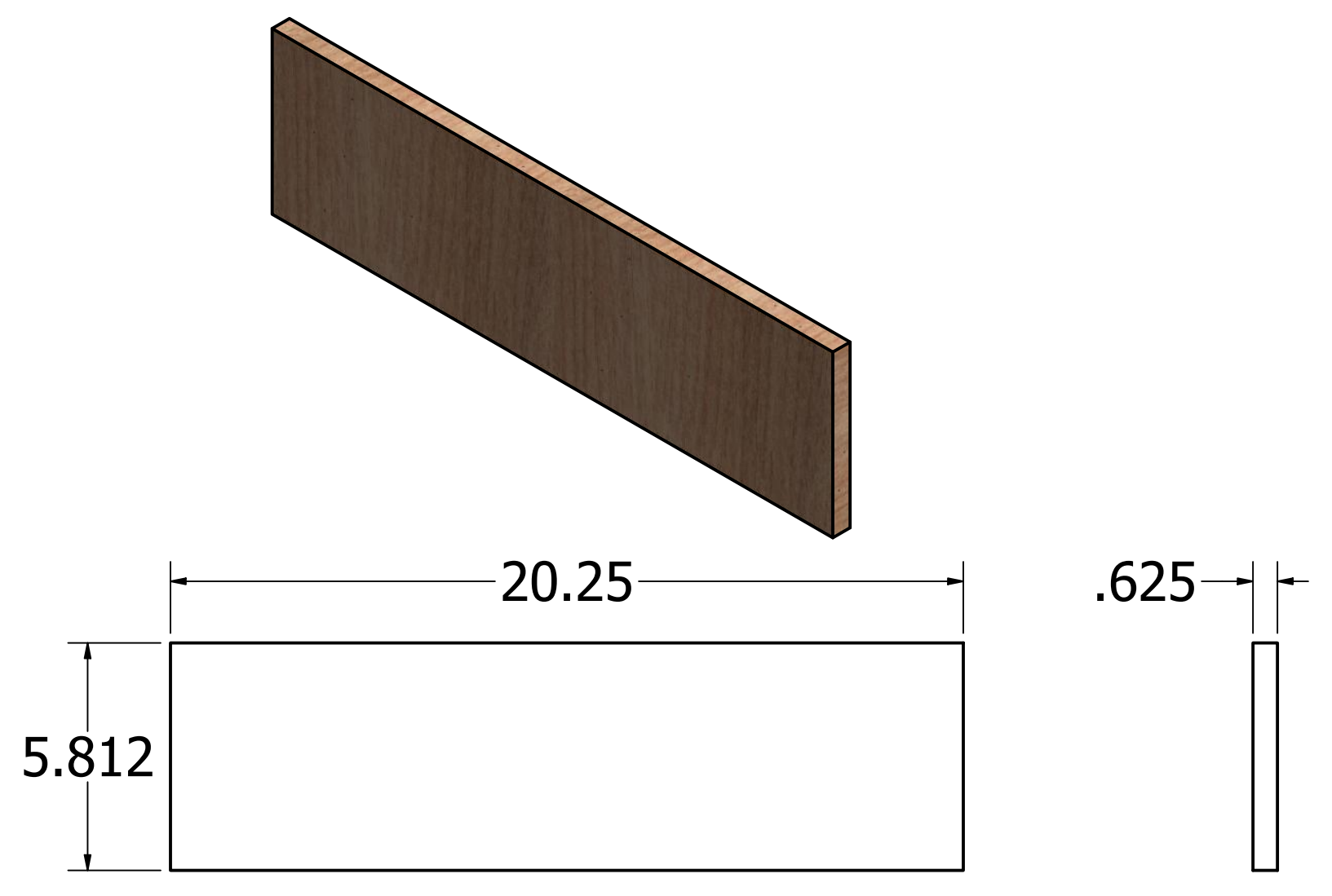
### Auxillary Views

Kevin Culver	6/8/2021	<a href="https://kevswoodworks.com">https://kevswoodworks.com</a> <a href="mailto:kev@kcwworks.com">kev@kcwworks.com</a>		
		TITLE		
		Nightstand		
		SIZE	DWG NO	REV
		D	Nightstand	
		SCALE	2	SHEET 7 OF 10

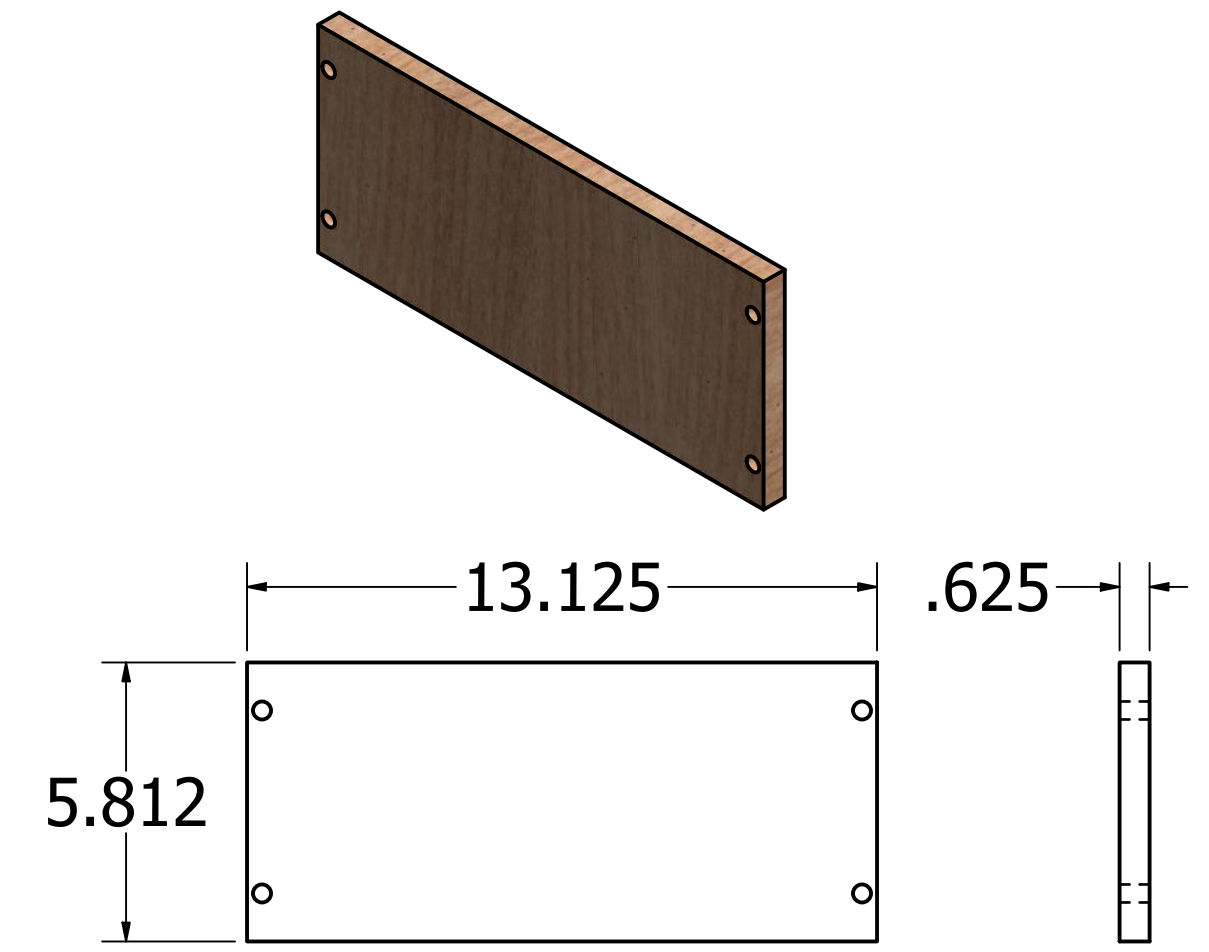




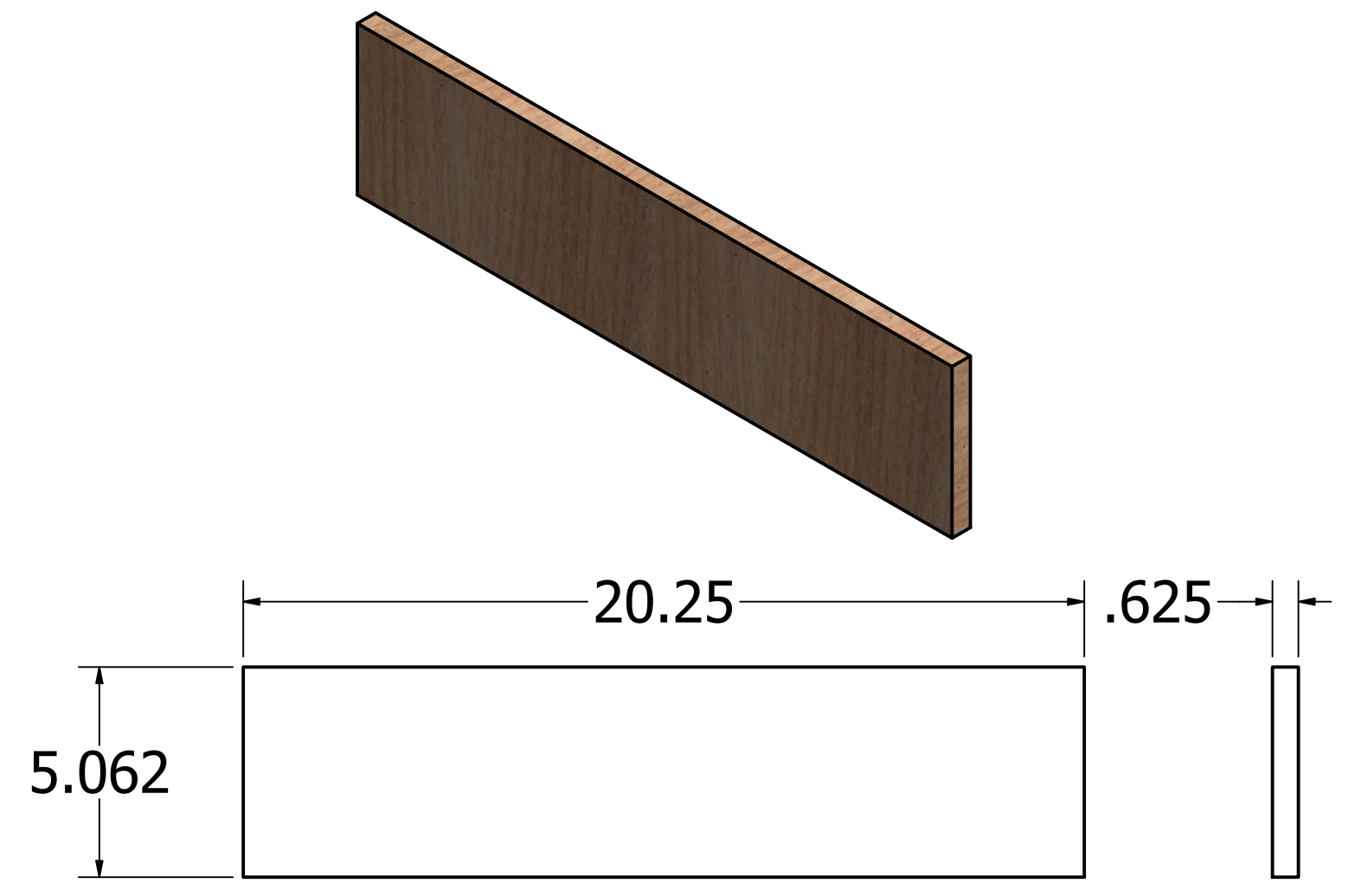
Drawer Face



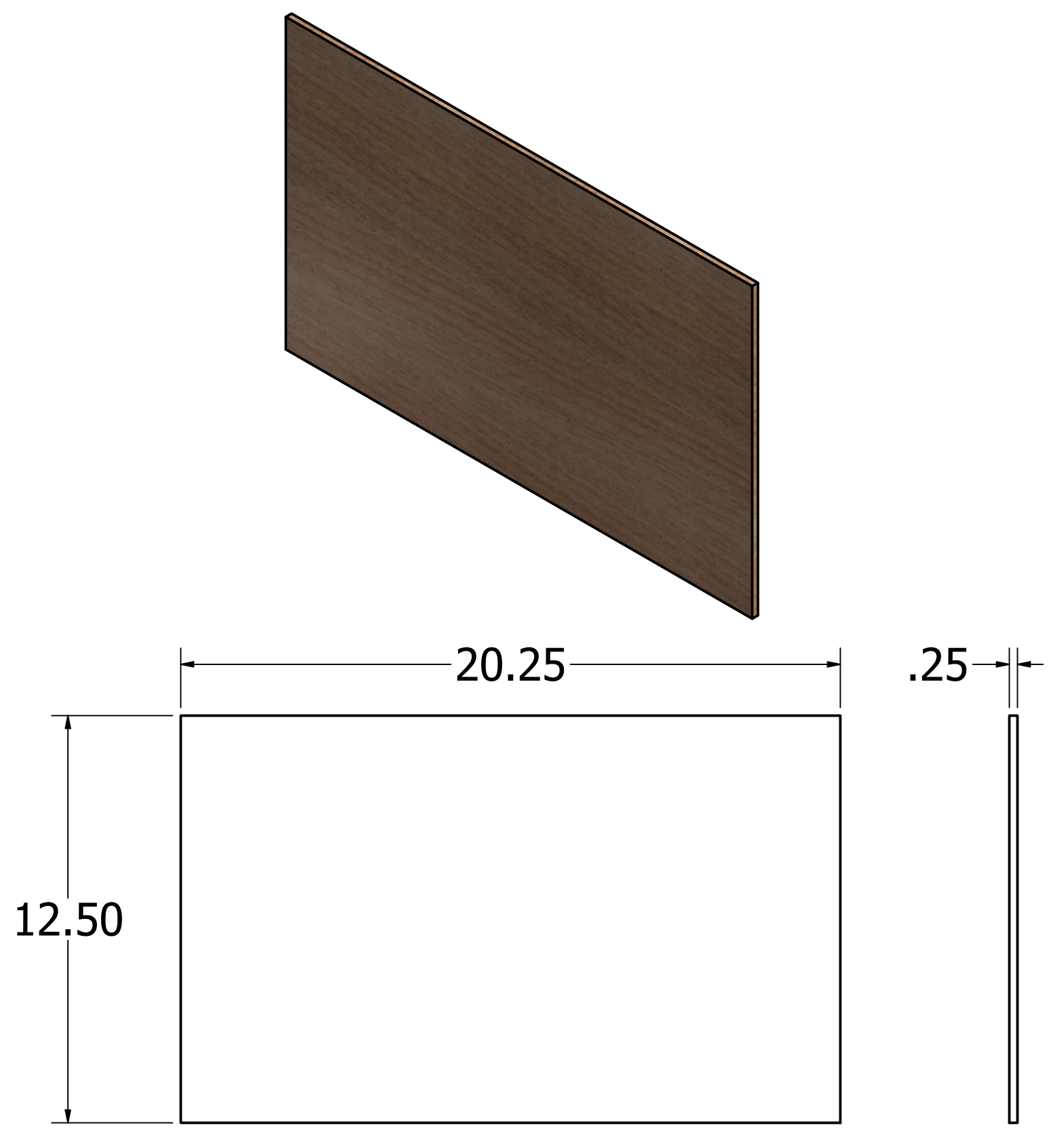
Drawer Front



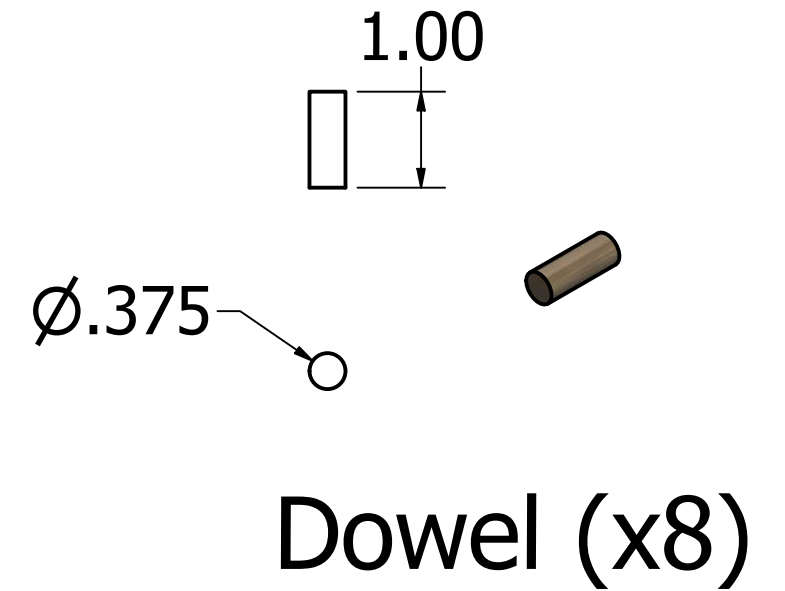
Drawer Side (x2)



Drawer Back



Drawer Bottom

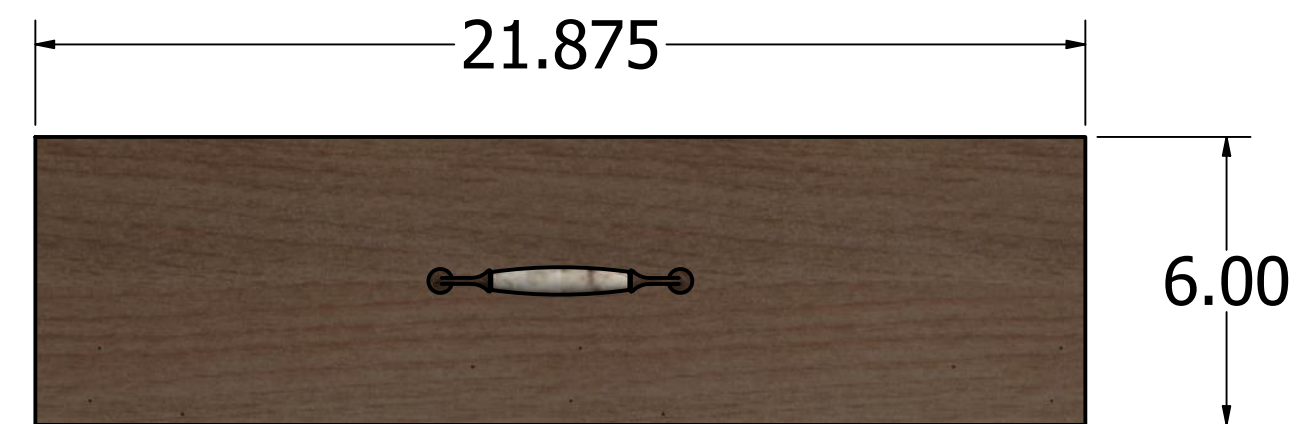
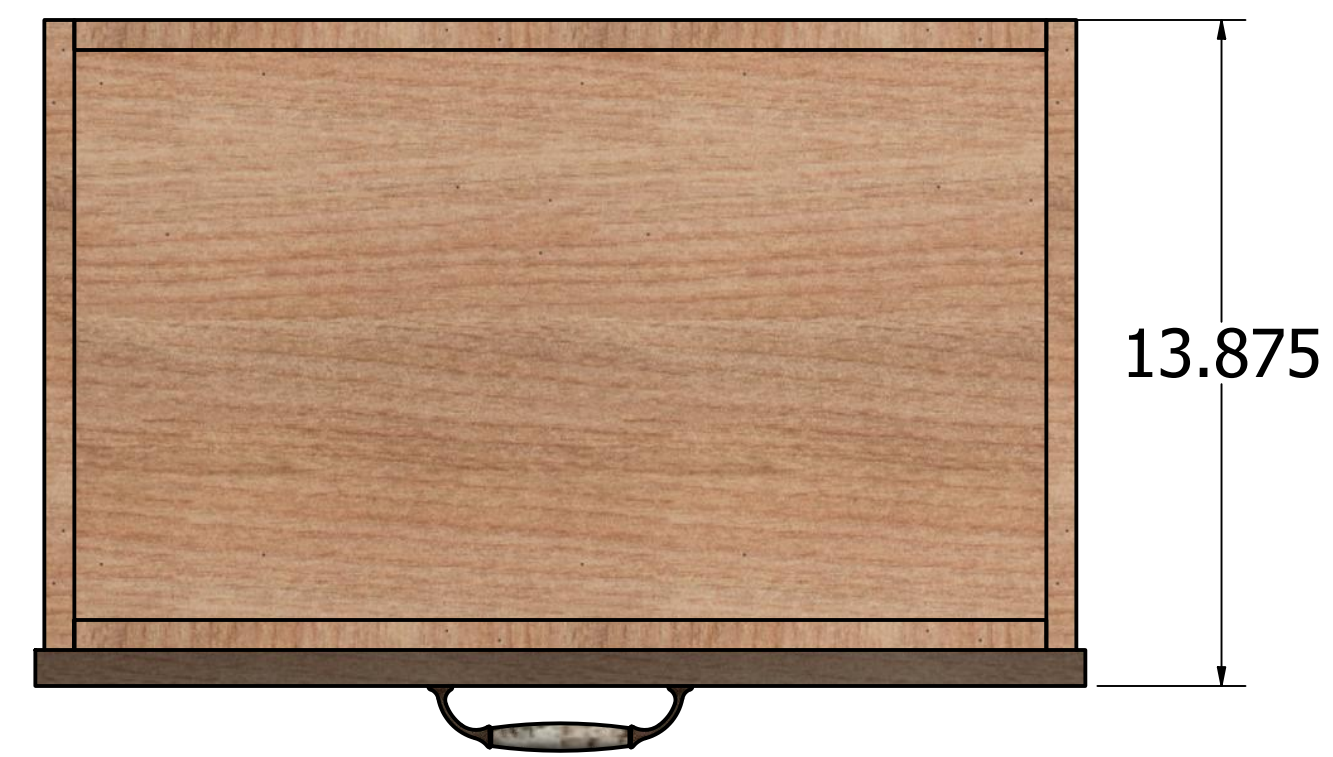
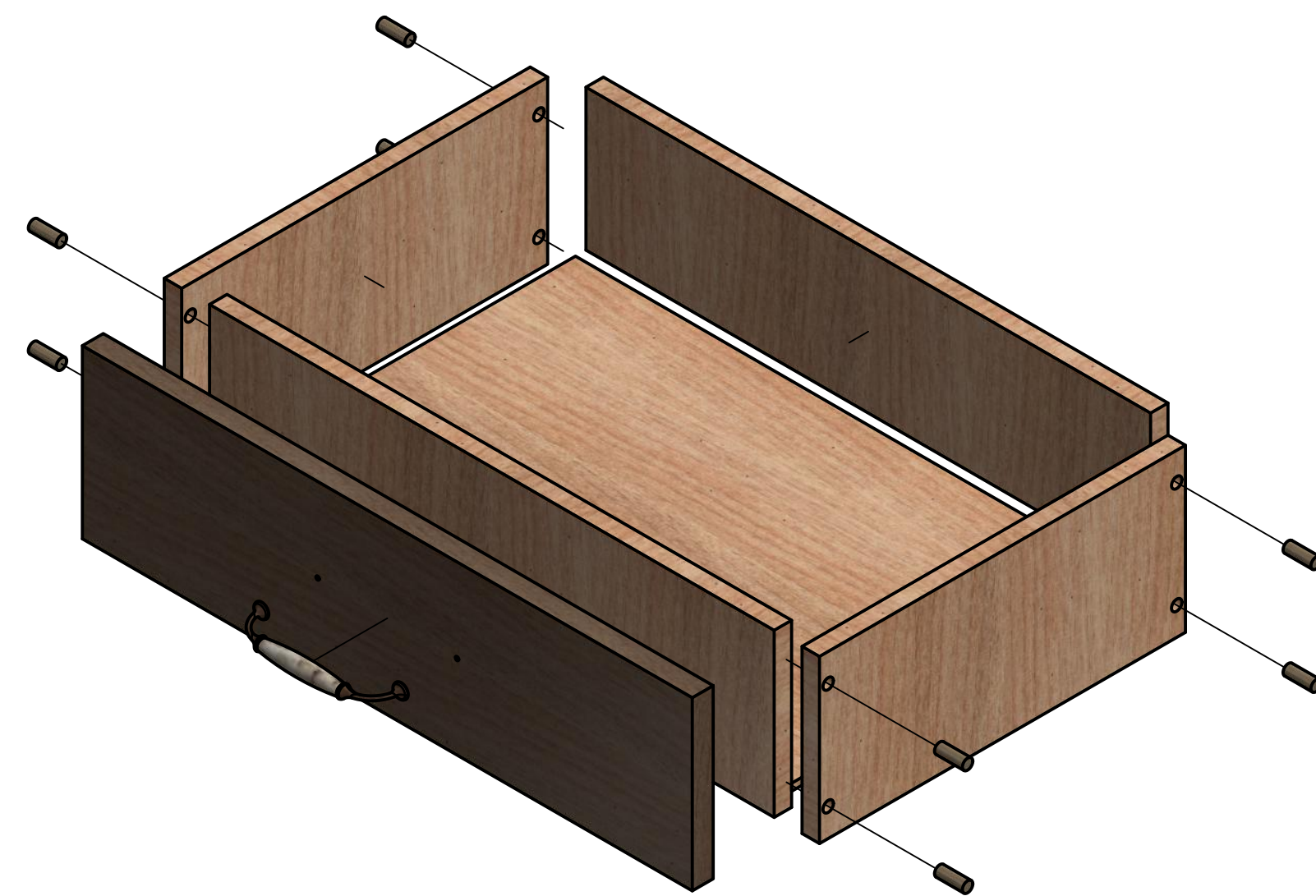
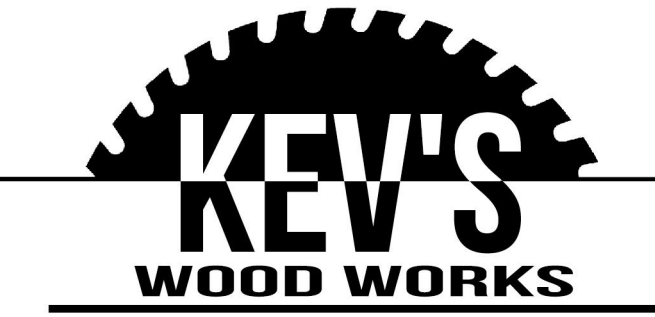


Dowel (x8)

Parts for Lower Drawer

Kevin Culver	6/8/2021	https://kevswoodworks.com kev@kcwworks.com		
		TITLE		
		Nightstand		
		SIZE	DWG NO	REV
		D	Nightstand	
		SCALE	.25	SHEET 8 OF 10

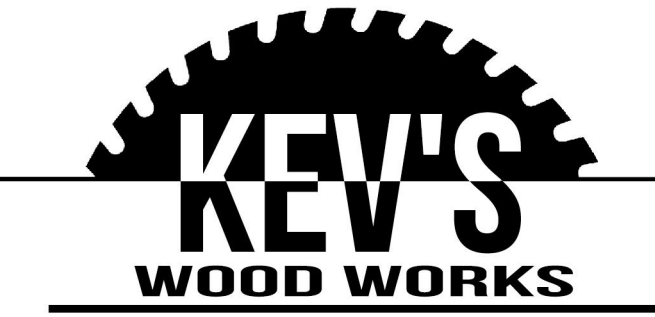




## Lower Drawer (upper drawer same construction)

Kevin Culver	6/8/2021	<a href="https://kevswoodworks.com">https://kevswoodworks.com</a> <a href="mailto:kev@kcwworks.com">kev@kcwworks.com</a>		
		TITLE		
		Nightstand		
		SIZE	DWG NO	REV
		D	Nightstand	
		SCALE	.25	SHEET 9 OF 10





8 7 6 5 4 3 2 1

D

D

C

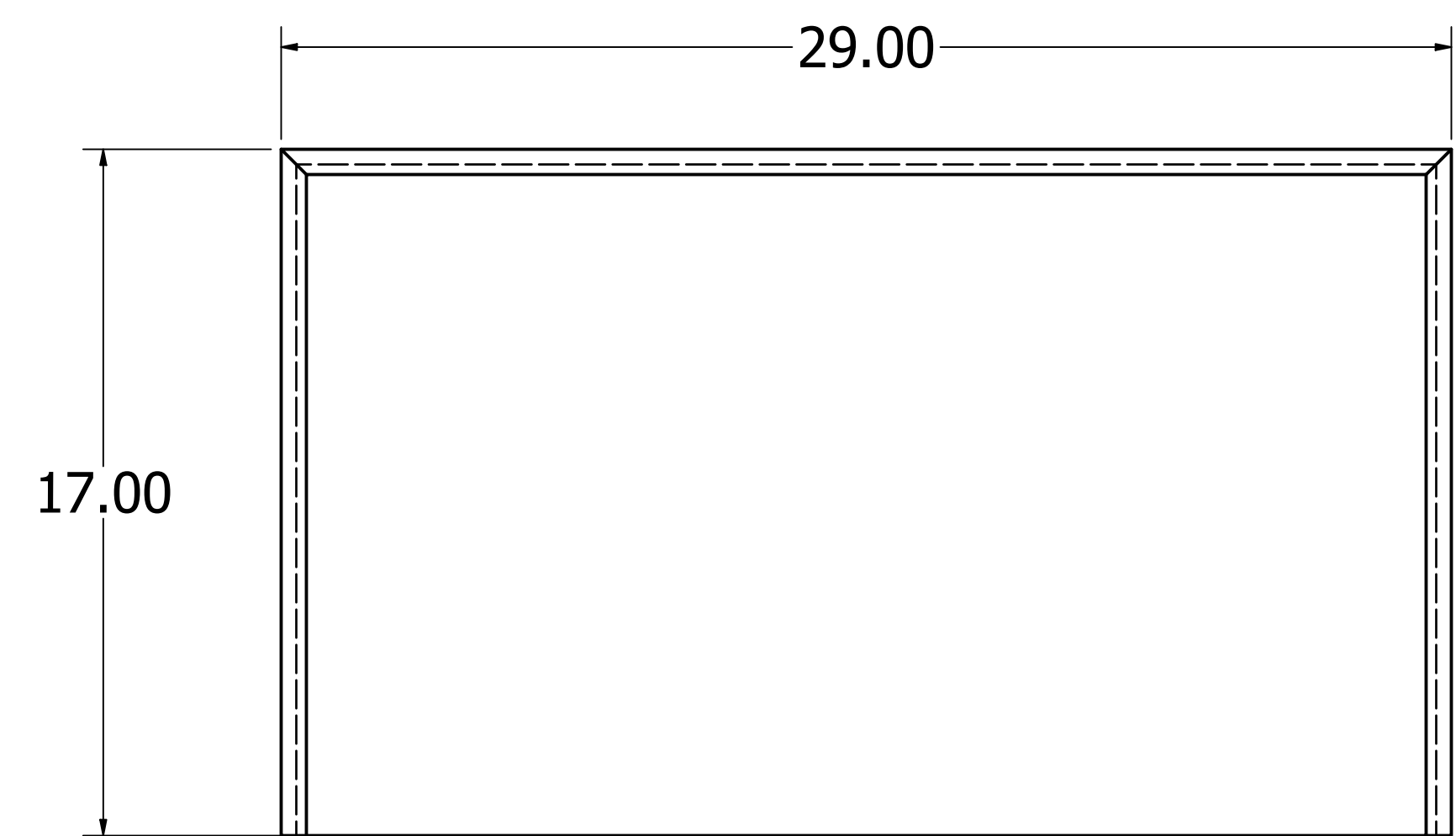
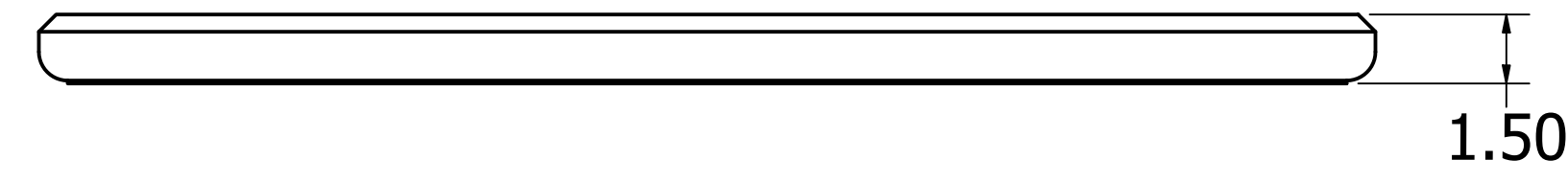
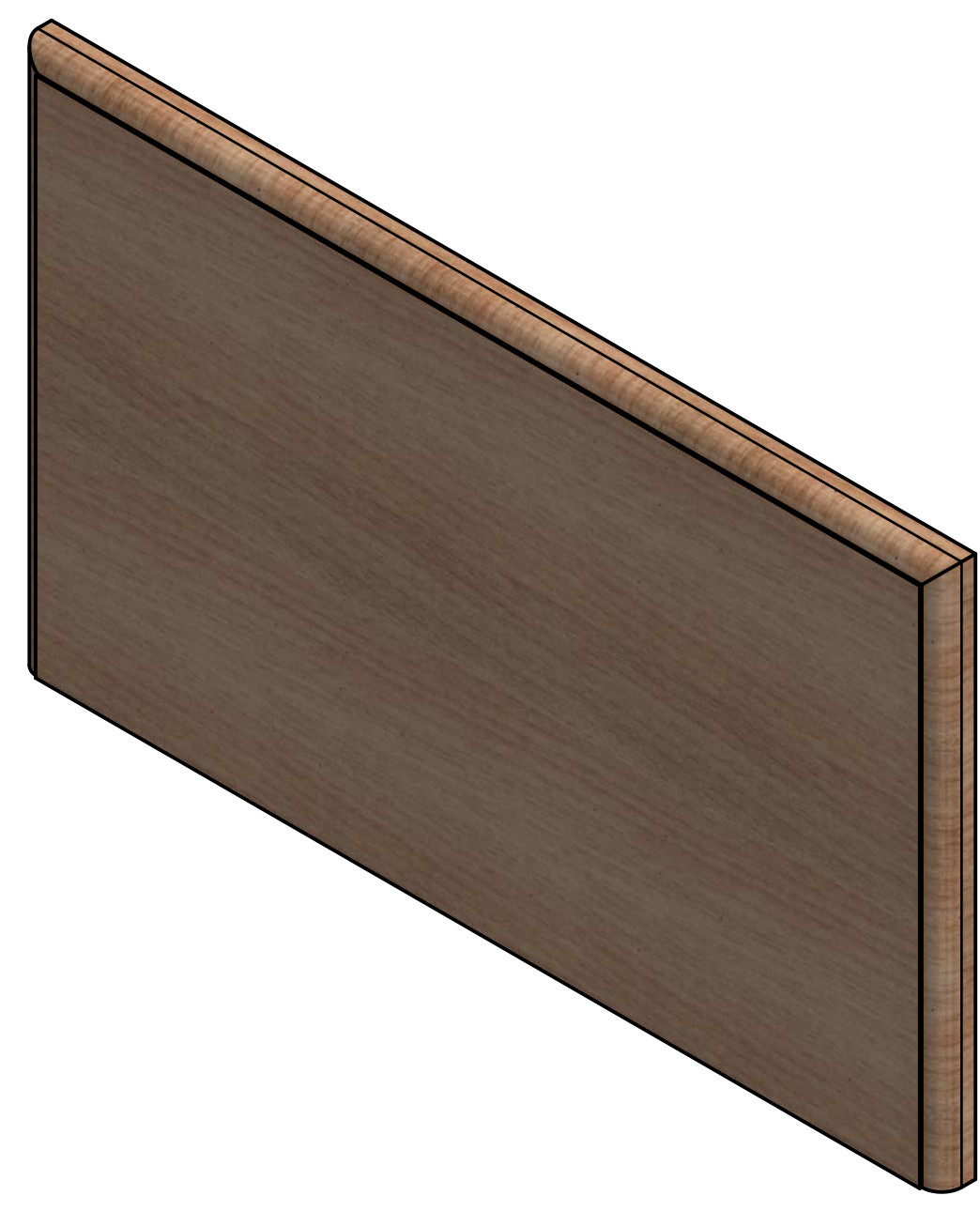
C

B

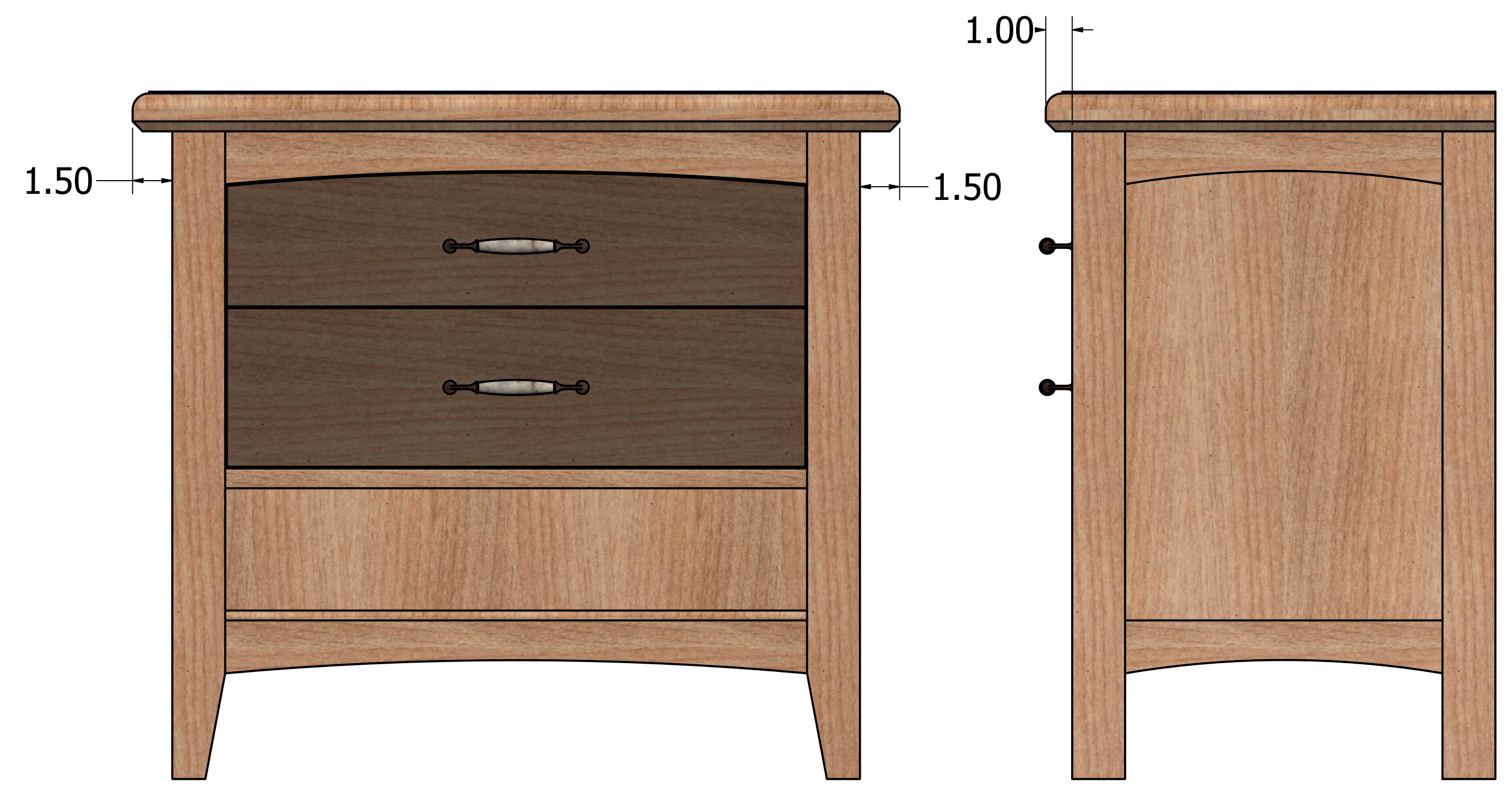
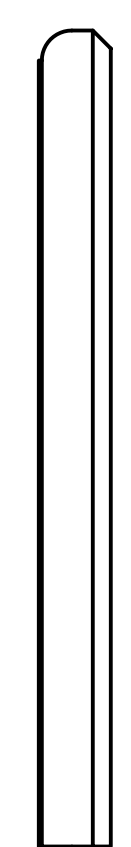
B

A

A



Top



Kevin Culver	6/8/2021	https://kevswoodworks.com kev@kcwworks.com		
		TITLE		
		Nightstand		
		SIZE	DWG NO	REV
		D	Nightstand	
		SCALE	.25	SHEET 10 OF 10

8 7 6 5 4 4 3 2 1