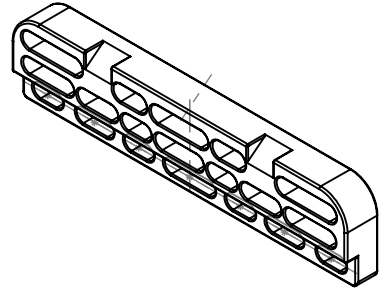
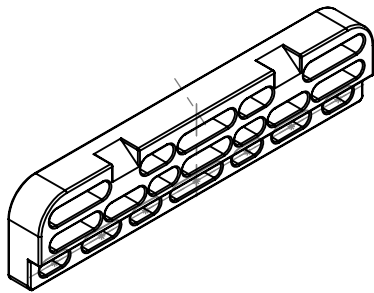


4 3 2 1

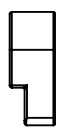
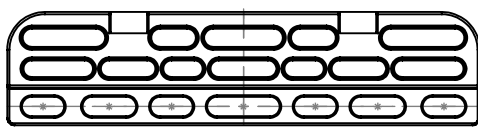
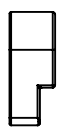
F

F



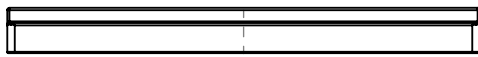
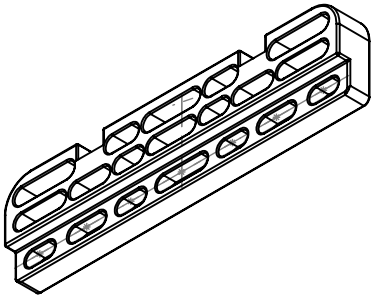
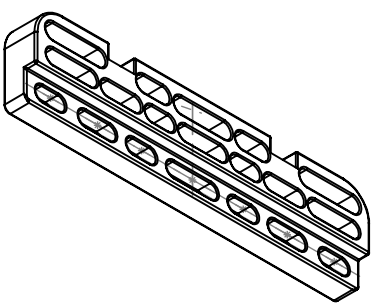
E

E



D

D



C

C

B

B

UNLESS OTHERWISE SPECIFIED:
DIMENSIONS ARE IN MILLIMETERS
SURFACE FINISH:
TOLERANCES:
LINEAR:
ANGULAR:

FINISH:

DEBURR AND
BREAK SHARP
EDGES

DO NOT SCALE DRAWING

REVISION

	NAME	SIGNATURE	DATE
DRAWN			
CHK'D			
APPV'D			
MFG			
Q.A			

TITLE:	<h1>Part 1</h1>	A4
DWG NO.		
MATERIAL:	SCALE: 1:10	SHEET 1 OF 1
WEIGHT:		

A

A

4 3 2 1