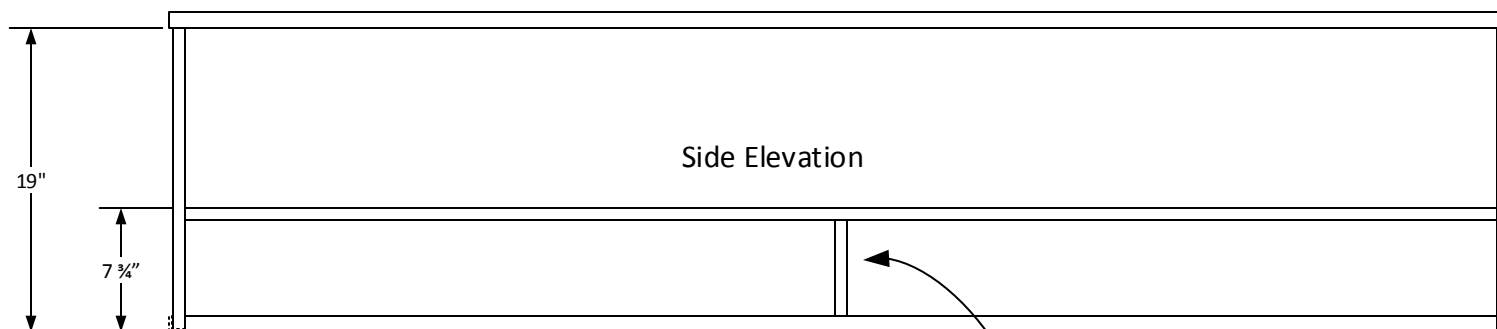
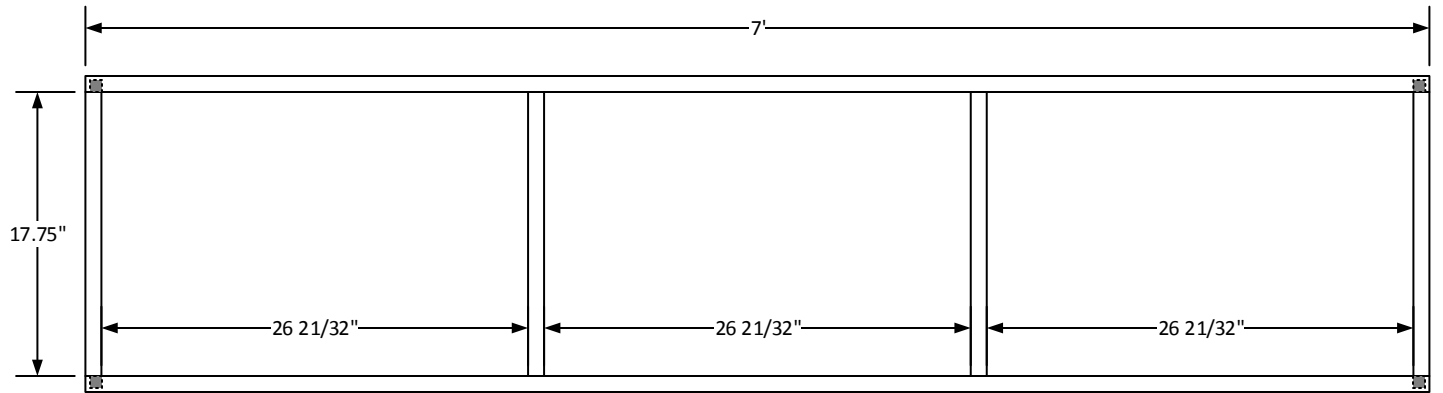


Overview of Planter. Not all pieces in the racks are drawn in. Also it's a little skewed. But you get the idea I hope. All the pieces are shown in the rack and side elevation details. This is all going to be sheeted with faux rock panels and none of the metal will be visible. Everything is squared butt joints. Home Depot tubs will sit on the racks and be filled with dirt for the planter. There is room for a soaker hose assembly to be hidden underneath for automatic watering.

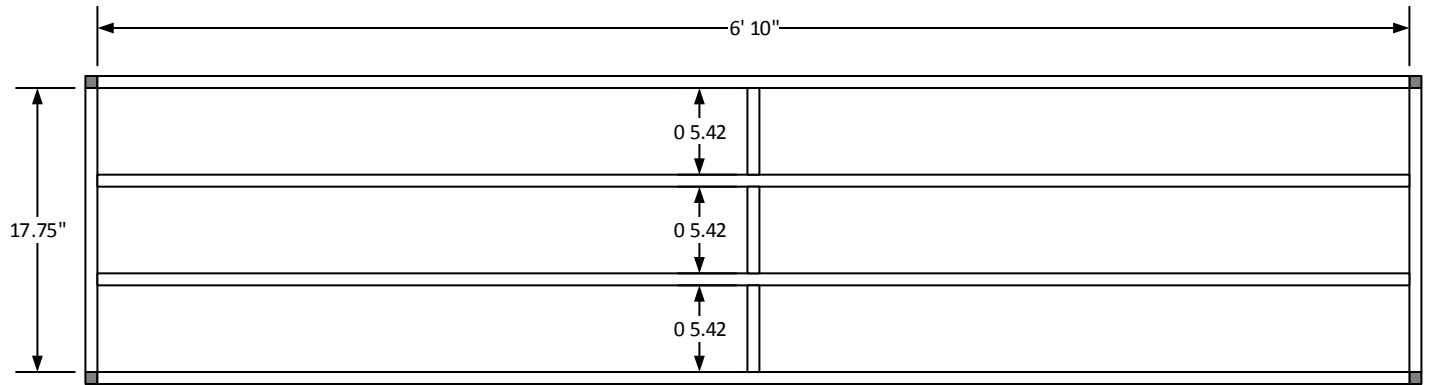


This piece is not in the cut list and is fitted in later to support the centre tub.

Top Rack  
All 1" square Tube  
(Sits on top of the 3/4" corner  
uprights and overhangs them  
on all outside edges)

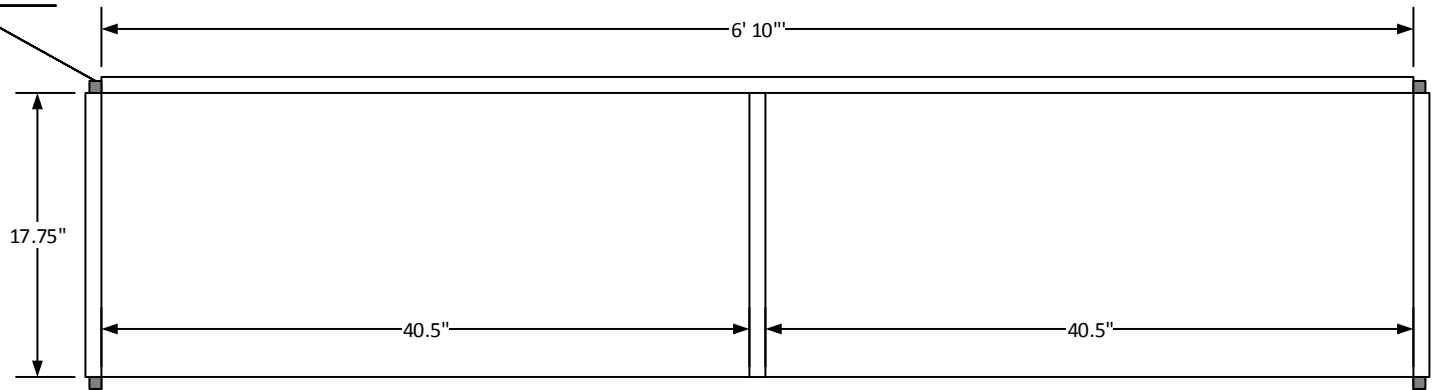


Middle Rack  
All 3/4" square Tube  
(Welded to the 3/4" corner  
uprights)



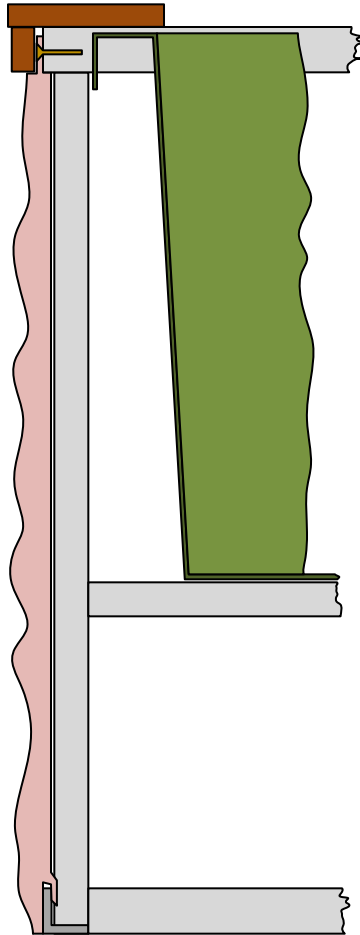
Bottom Rack  
All 1" Angle Iron with the lip to the  
outside edge.  
(Welded to the 3/4" corner uprights)

3/4" square Tube for  
vertical corners



Cedar Trim Board hide the top of the tubs as well as the metal frame.

Panels fastened to the top frame with self-tapping screws



Tub sits on mid-rest inside the frame and slightly recessed from the top

Fake Stone Panels use their built-in clip to fasten over the edge of the 1" angle iron bottom frame

**Side View section of assembly with panels**

## Metal Cut List

### 1" Square Tube

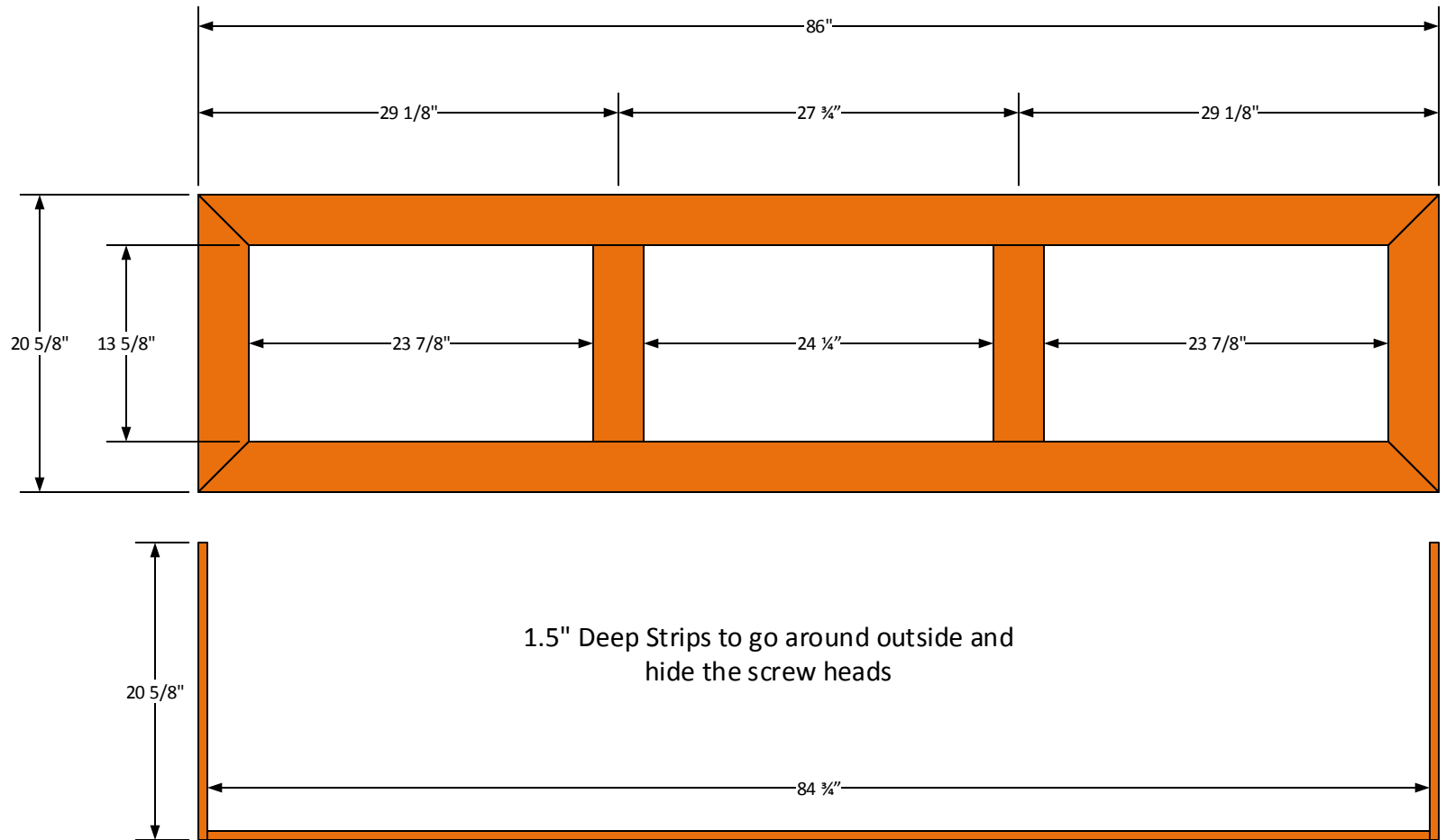
7'0"	2 Pieces
17.75"	4 Pieces

### 1" Angle Iron

6' 10"	2 Pieces
17.75"	2 Pieces

### ¾" Square Tube

6'10"	4 Pieces
19"	4 Pieces
17.75"	2 Pieces
5.42"	3 Pieces



Cedar Trim Boards for the surfacing