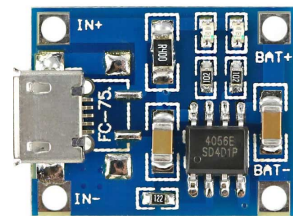
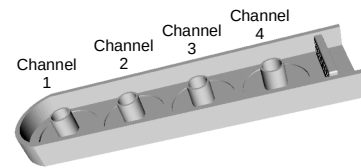
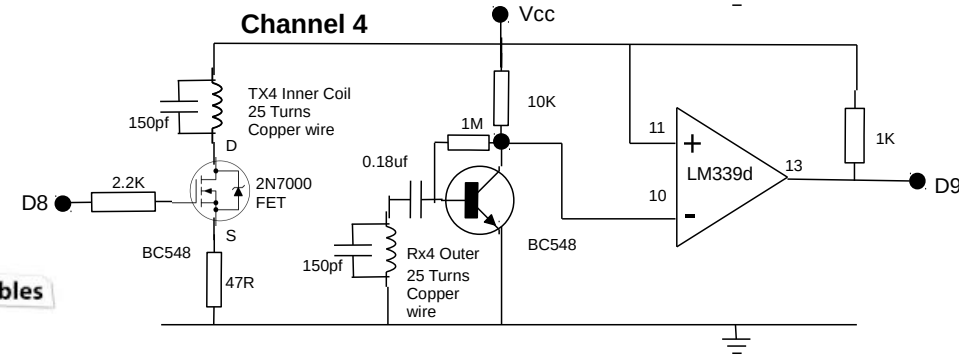
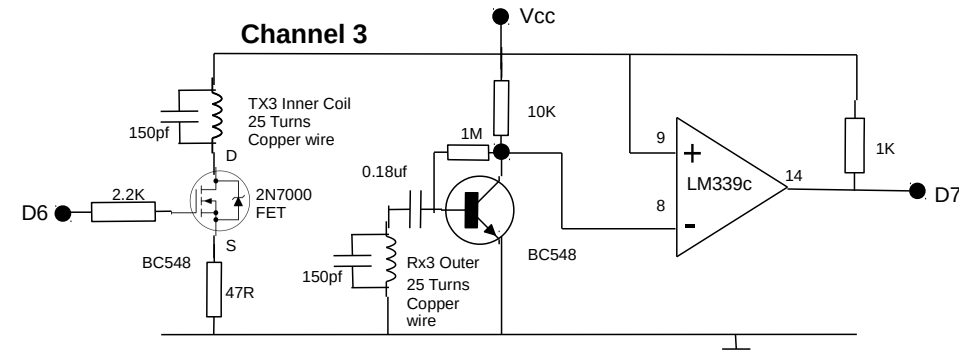
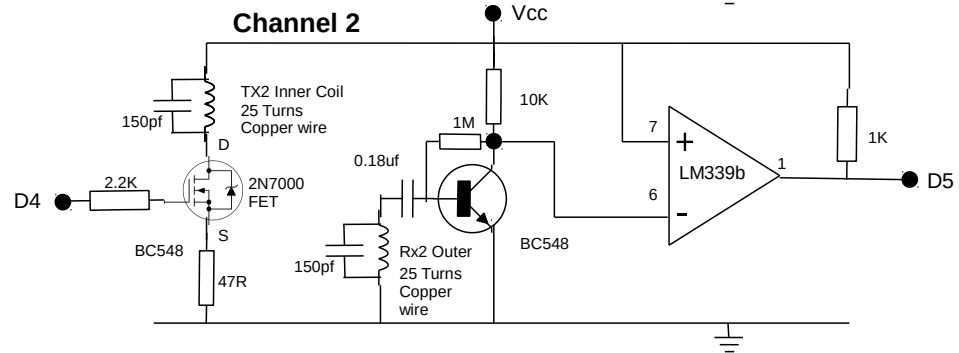
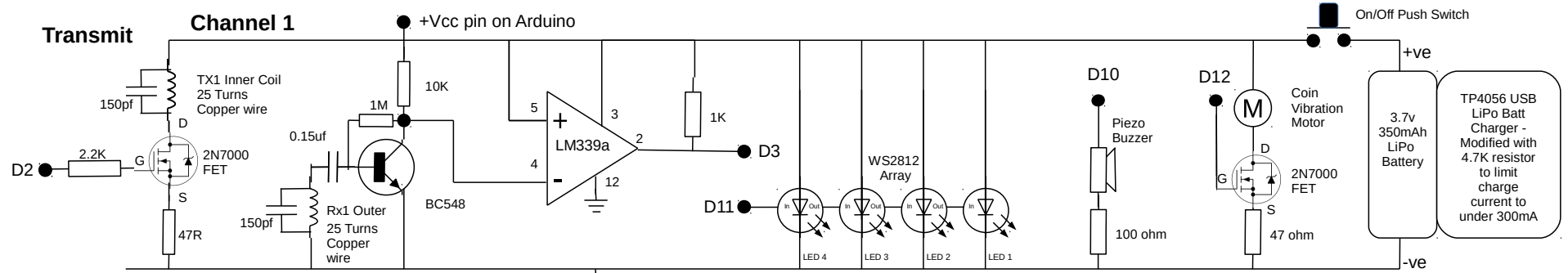


# Pocket Metal Locator - Arduino

By TechKiwiGadgets

April 2018



TP4056 USB LiPo Batt Charger - Modified with 4.7K resistor to limit charge current to under 300mA



Arduino Pro Mini

