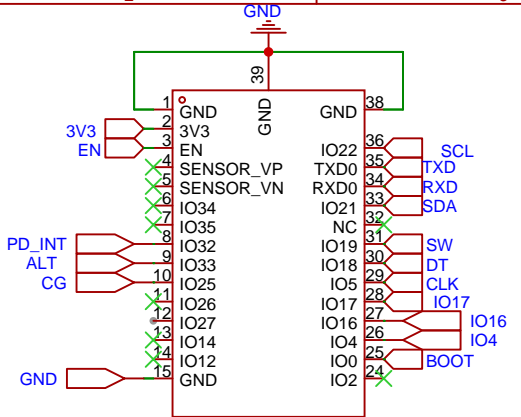
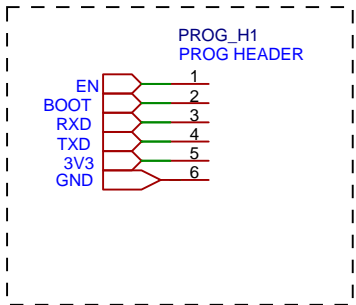


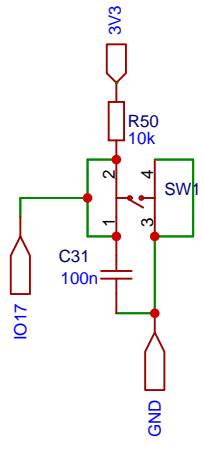
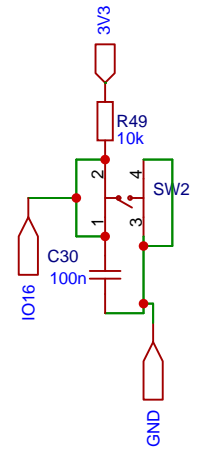
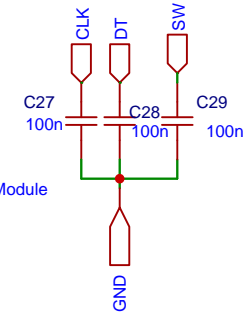
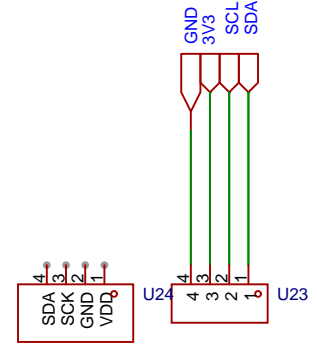
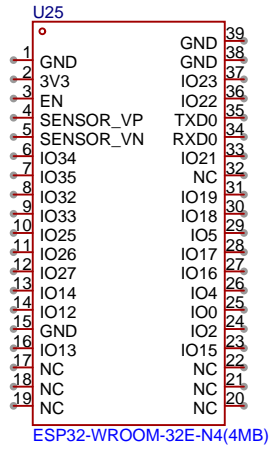
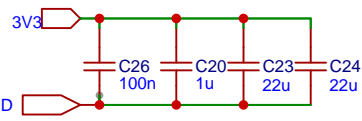
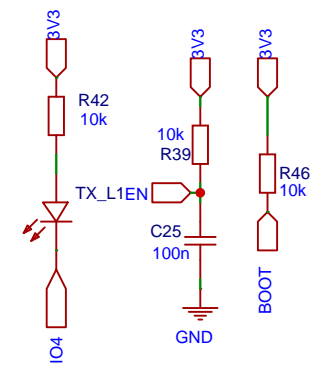
Schematic	Schematic1		Create at	2025-12-18
Board	Board1		Update at	2026-05-01
Drawn			Page	P1
Reviewed			USB_PD	
		Version	Size	Page 1 Total 2
		V1.0	A4	EasyEDA.com



MCU PIN DEFINITIONS

PD_INT	IO32
ALT	IO33
CG	IO25
I2C_SCL	IO22
I2C_SDA	IO21
ROTARY SW	IO19
ROTARY DT	IO18
ROTARY CLK	IO5
LED	IO4
SWITCH_1	IO17
SWITCH_2	IO16

Programming and Uart



Schematic	Schematic1			Create at	2025-12-18
Board	Board1			Update at	2026-04-21
Drawn				Page	P2
Reviewed				USB_PD	
			Version	Size	Page 2 Total 2
			V1.0	A4	EasyEDA.com