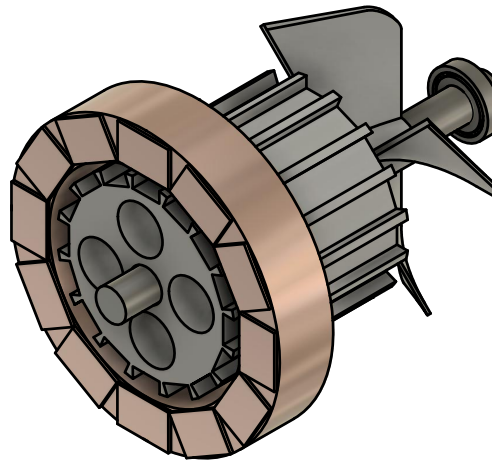
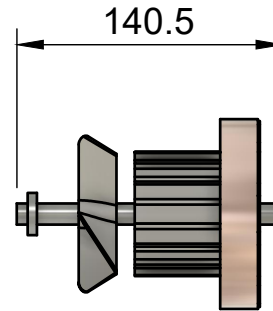
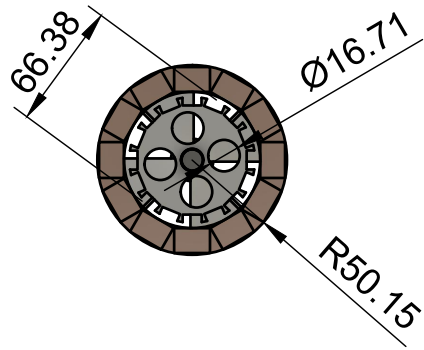
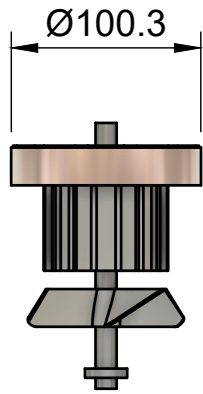


Generator core Mech



Dept.	Technical reference	Created by POIREINGANBA LOKTONGBAM 30-04-2024	Approved by		
		Document type	Document status		
		Title SP_Energia_Prototype	DWG No.		
		Rev.	Date of issue	Sheet 1/2	



Dept.	Technical reference	Created by POIREINGANBA LOKTONGBAM 30-04-2024	Approved by	
		Document type	Document status	
		Title SP_Energia_Prototype	DWG No.	
		Rev.	Date of issue	Sheet 2/2