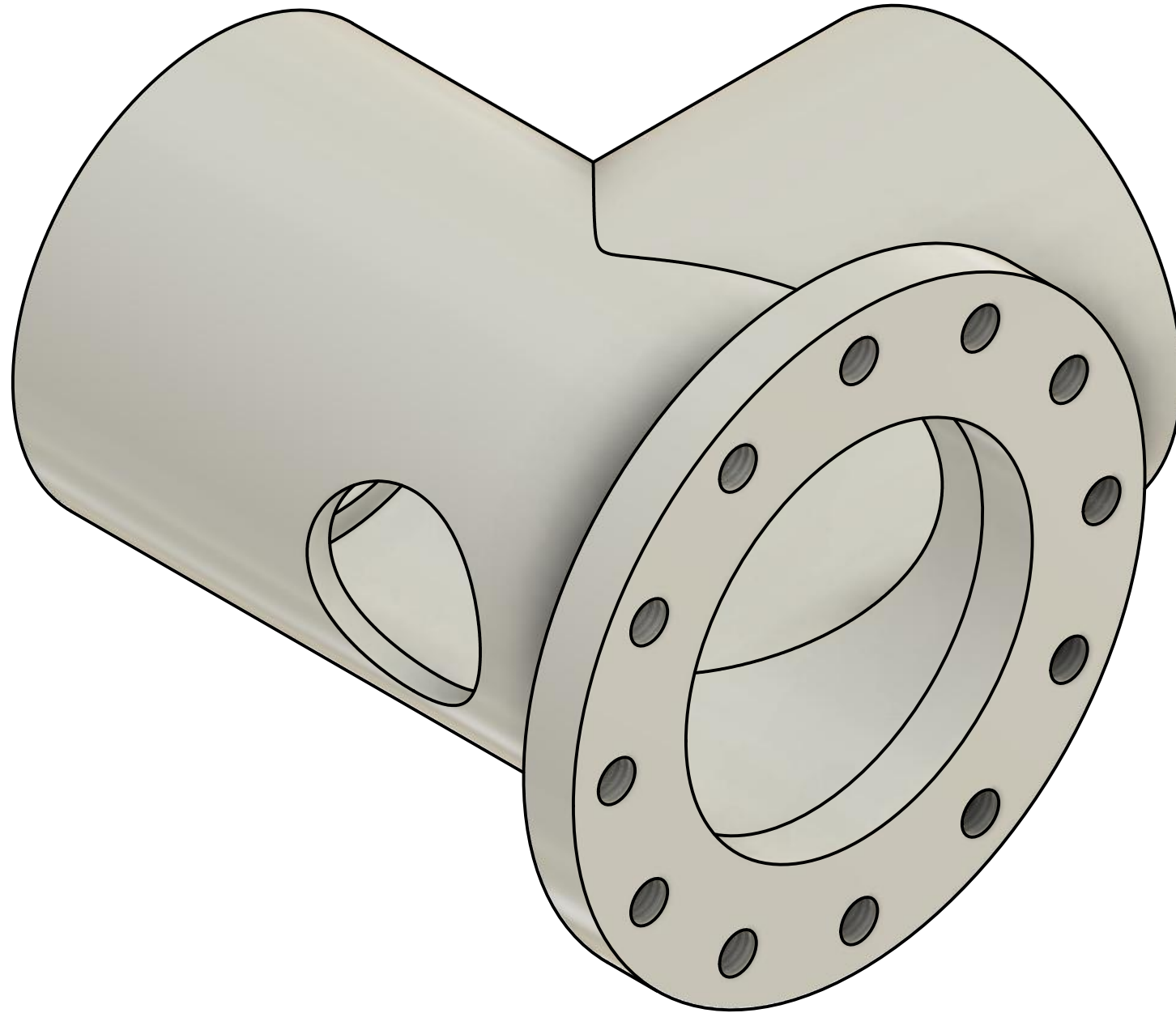
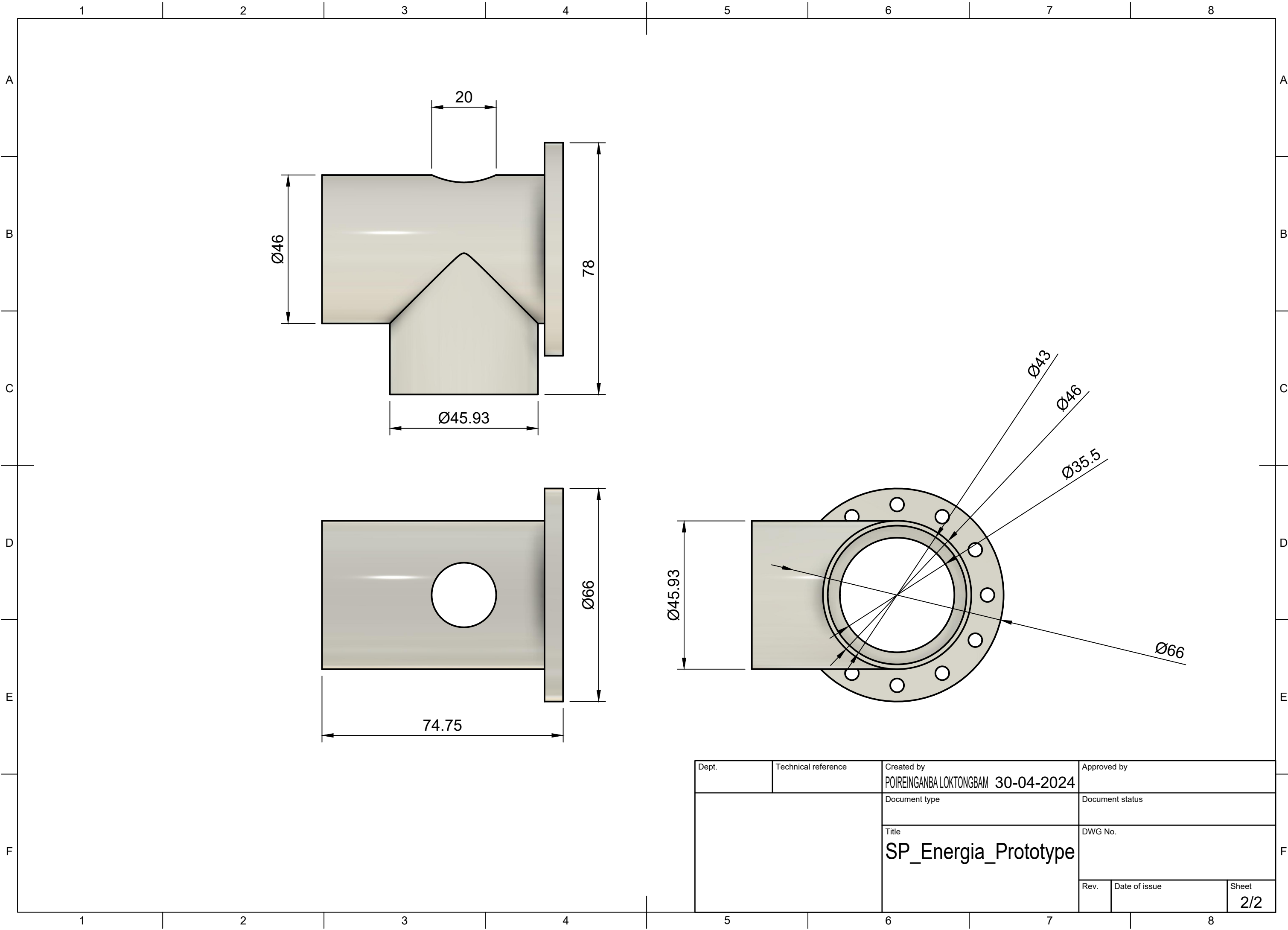


Axial Cover



Dept.	Technical reference	Created by POIREINGANBALOKTONGBAM 30-04-2024	Approved by	
		Document type	Document status	
		Title SP_Energia_Prototype	DWG No.	
		Rev.	Date of issue	Sheet 1/2



Dept.	Technical reference	Created by POIREINGANBALOKTONGBAM 30-04-2024	Approved by
		Document type	Document status
		Title SP_Energia_Prototype	DWG No.
	Rev.	Date of issue	Sheet 2/2