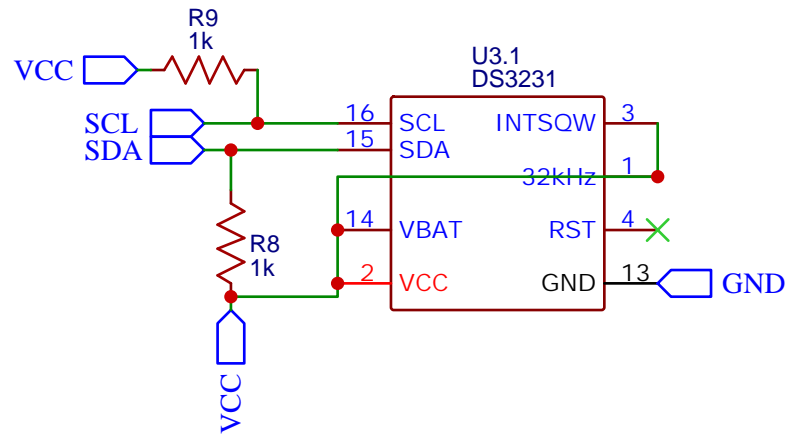


NOTE : pin 18 is DTR  
 NOTE : pin 5 is TX0  
 NOTE : pin 6 is RX1  
 only rtc is smd not resistors



TITLE: Sheet_1		REV: 1.0
EasyEDA	Company: Your Company	Sheet: 1/1
	Date: 2020-12-17	Drawn By: aditya_patil