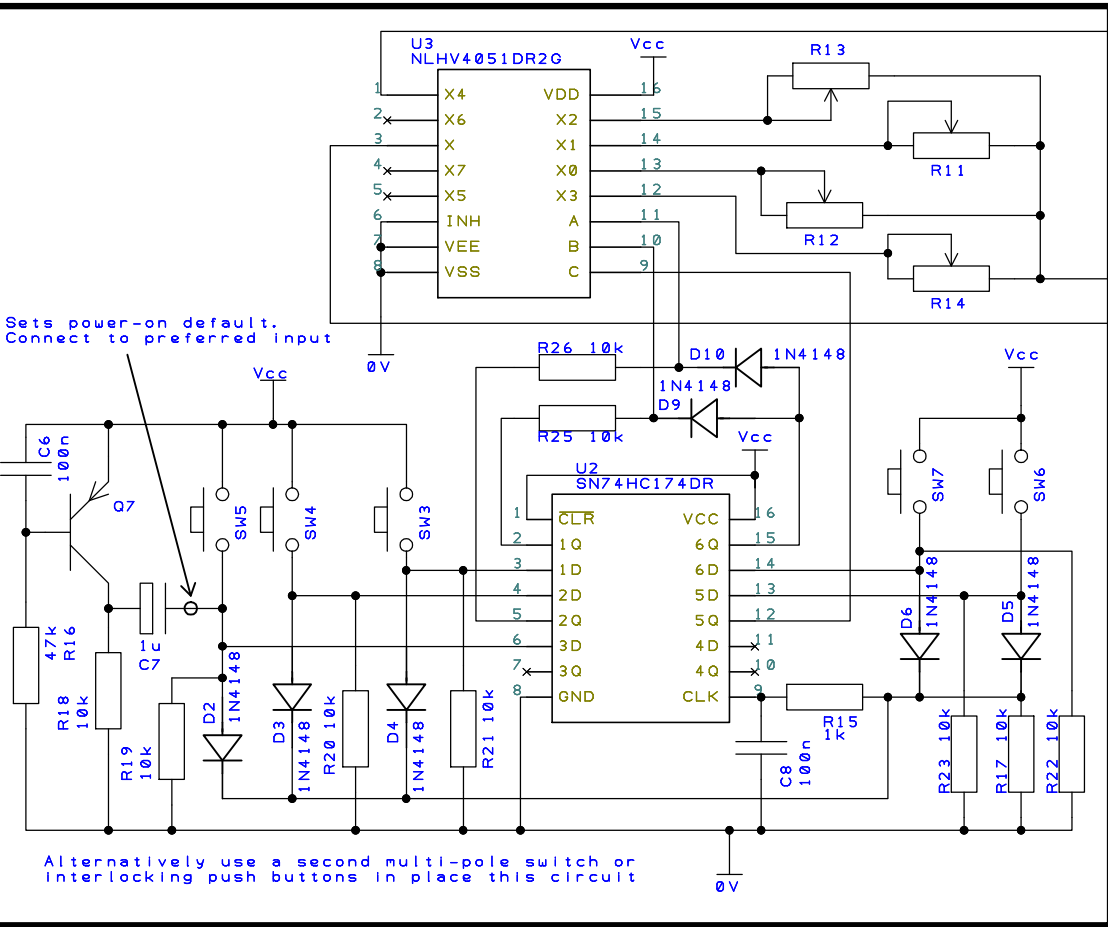
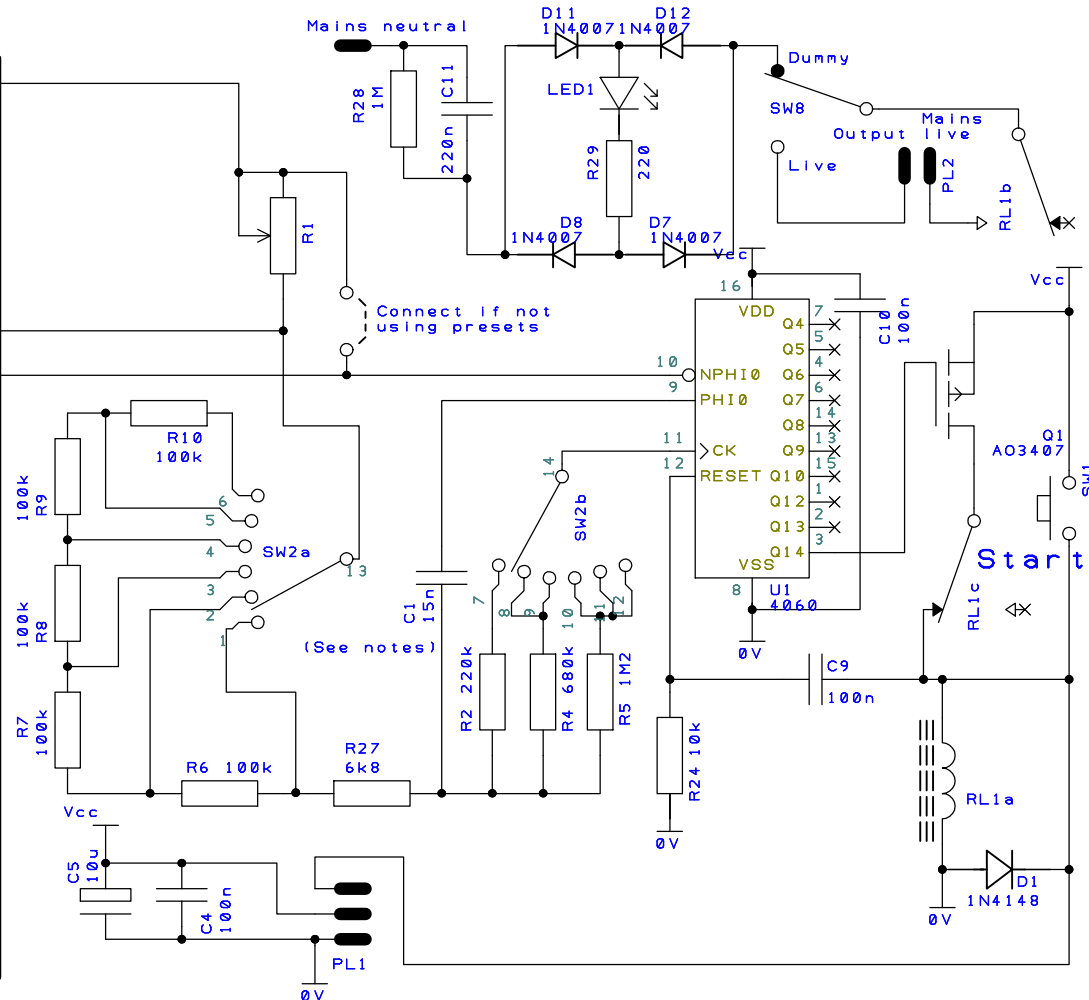


Optional presettable controls



Sets power-on default. Connect to preferred input

Alternatively use a second multi-pole switch or interlocking push buttons in place this circuit



Connect if not using presets

(See notes)