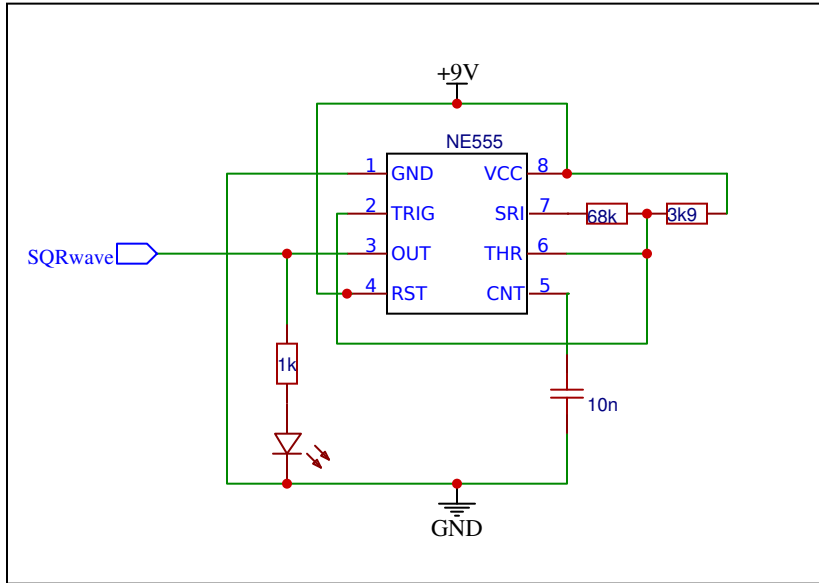
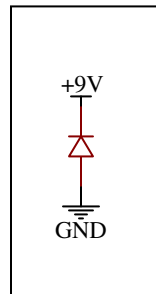
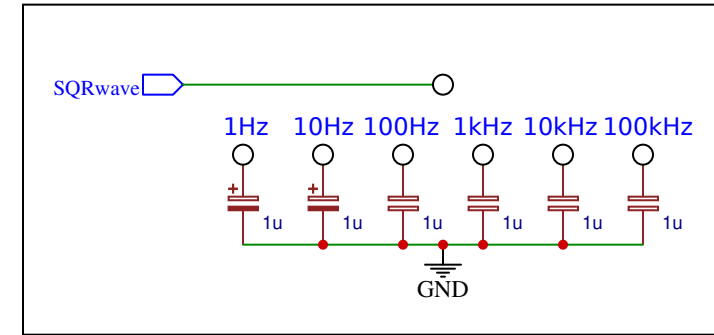


### Oscillator

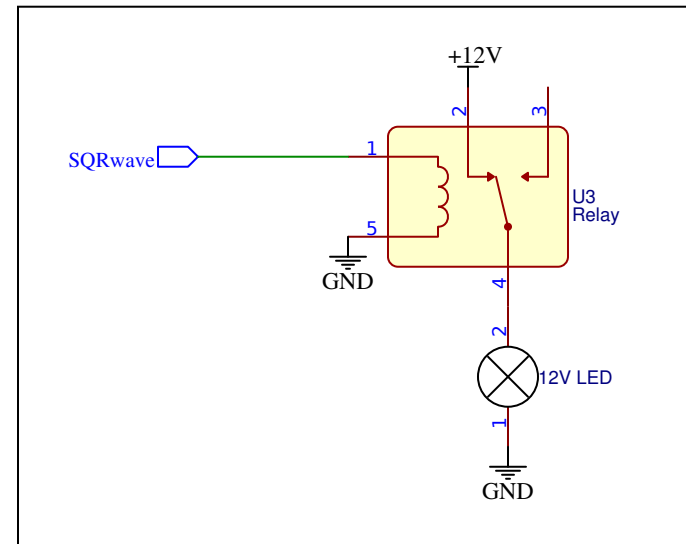


### Frequency select



Power supply reverse voltage protection

### 12V LED blinker



|                       |  |            |
|-----------------------|--|------------|
| TITLE: Sheet_1        |  | REV: 1.0   |
| Company: Your Company |  | Sheet: 1/1 |
| Date: 2019-05-09      |  |            |