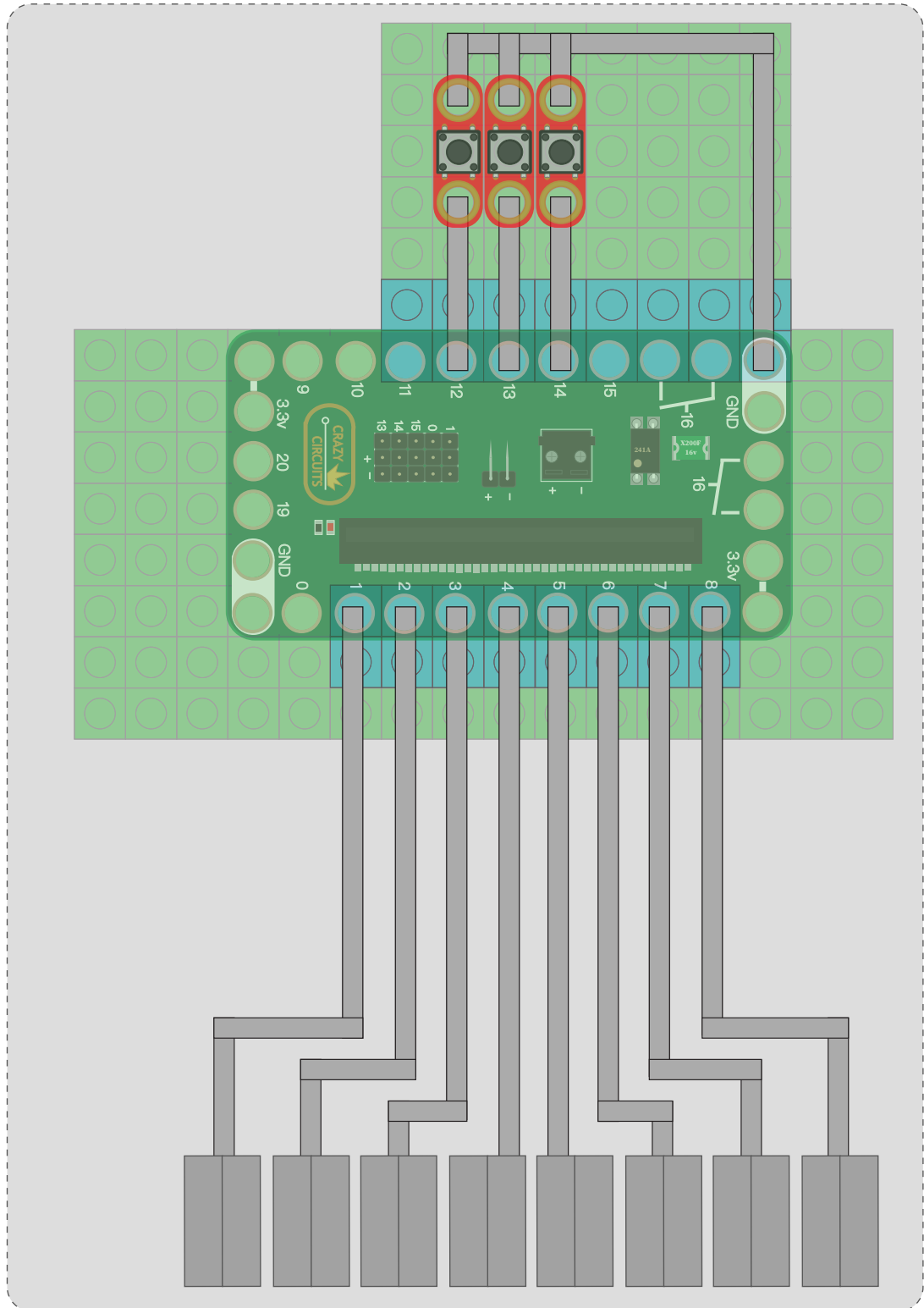


# Stylobit Template

Print this page and use it as a guide to build your circuit.

You'll need a Bit Board, a micro:bit V2, 1/8" and 1/4" Maker Tape, and a few LEGO parts.



Cut out the base



# Stylobit Template

Add a bit of style to your new instrument!



Cut out the Stylobit body



Cut out the inside piece