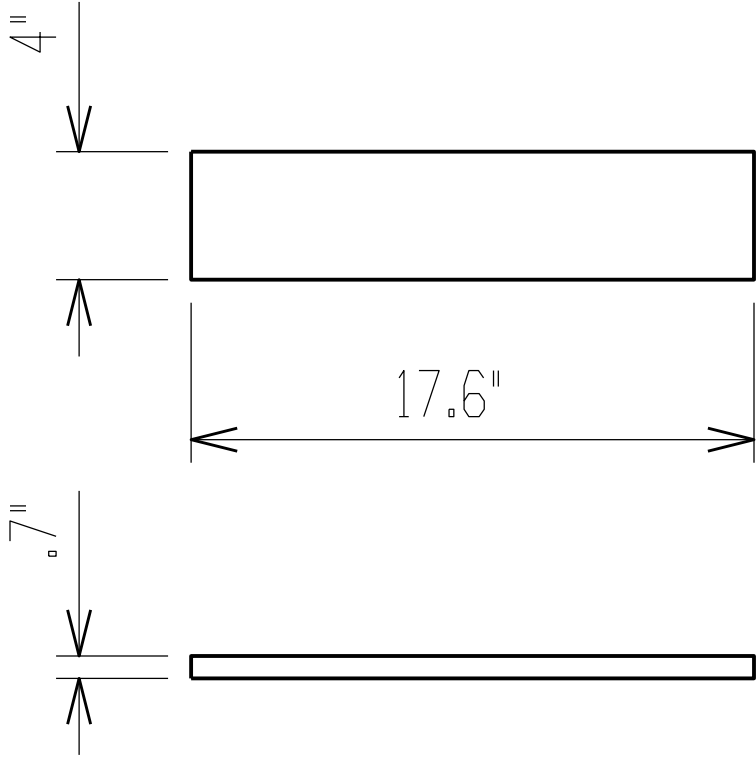


SUPPORT BACK

$\frac{3}{4}$ " PLYWOOD



SUPPORT BRACES

$\frac{3}{4}$ " PLYWOOD

