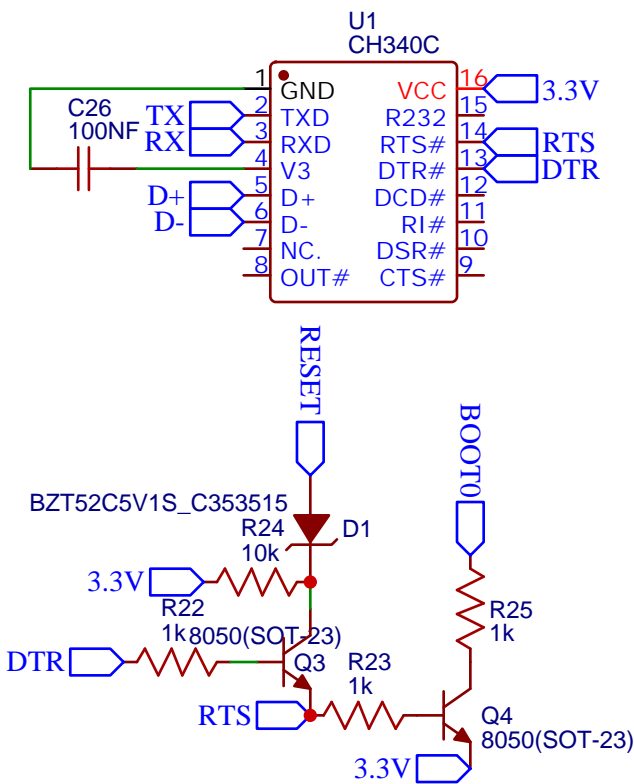
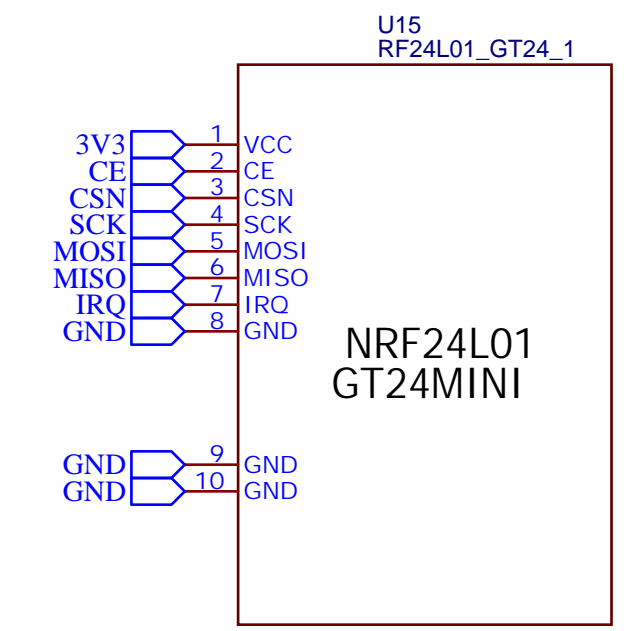


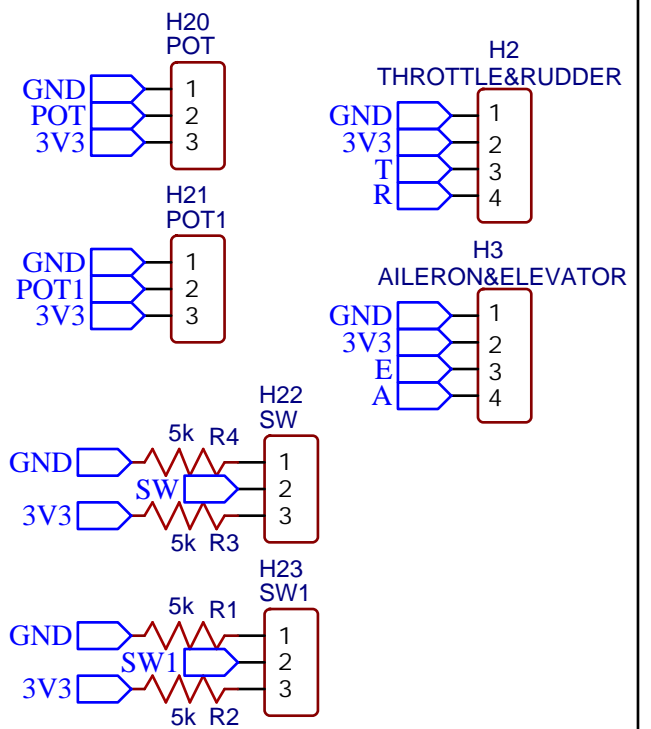
STM32F103C8T6



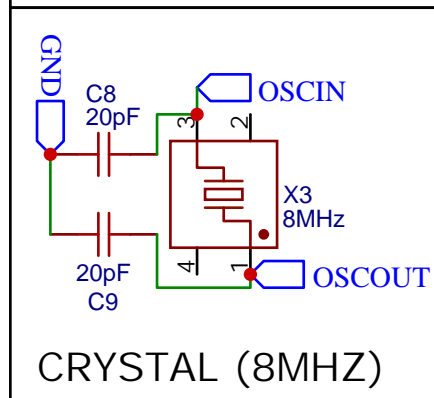
USB TO TTL (CH340C)



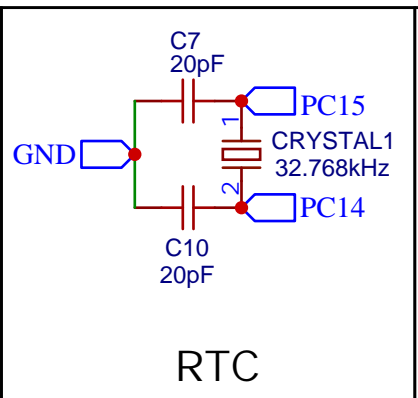
NRF24L01 GT24MINI



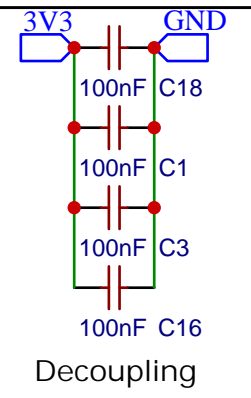
CH MALE HEADERS



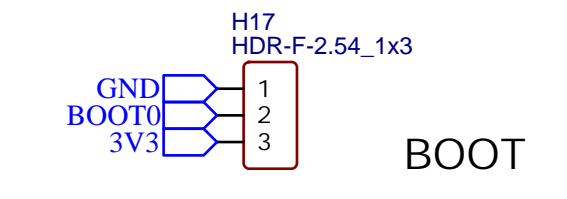
CRYSTAL (8MHZ)



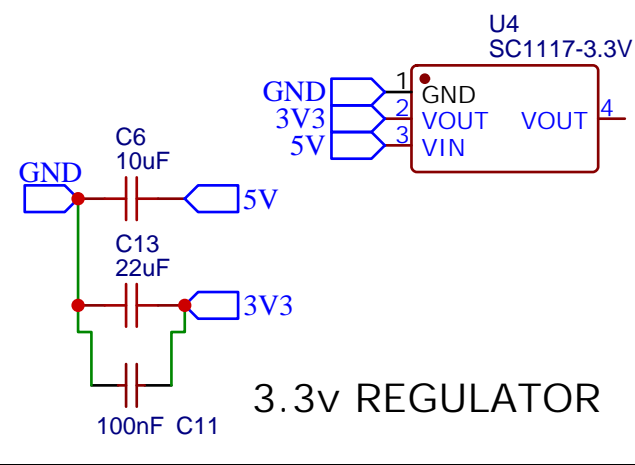
RTC



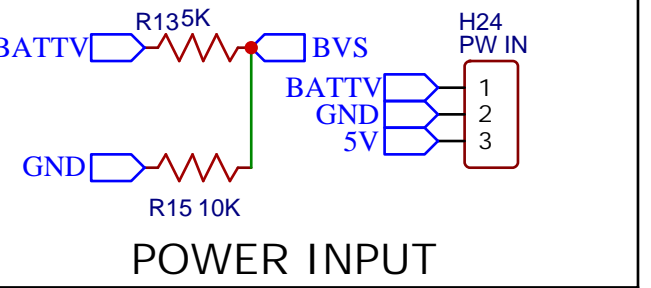
Decoupling



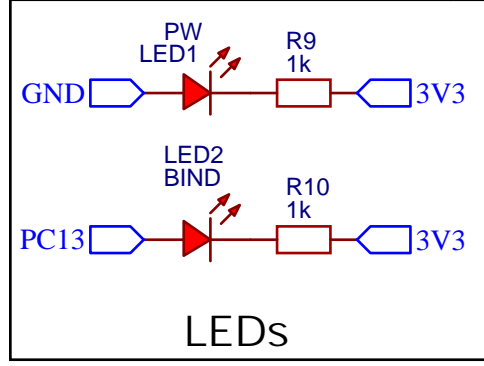
BOOT



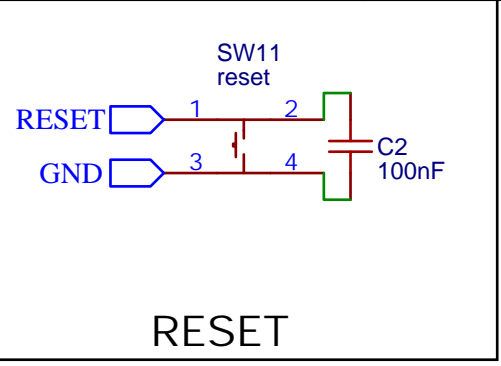
3.3v REGULATOR



POWER INPUT

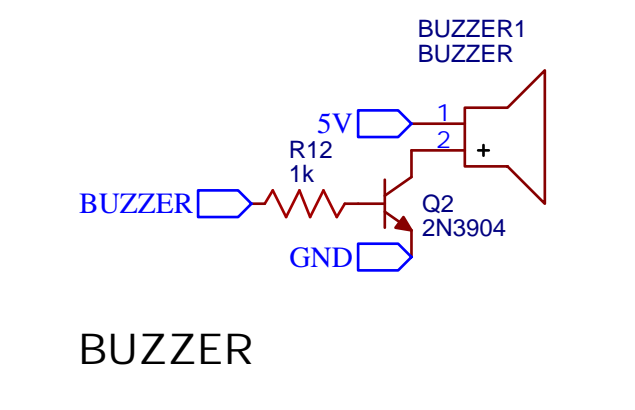


LEDs

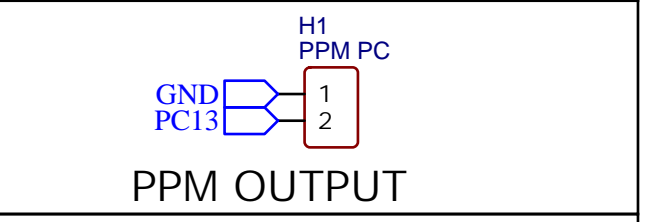


RESET

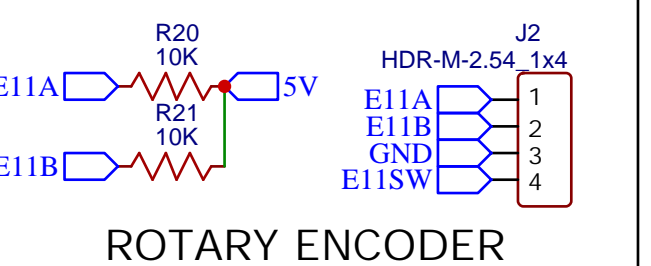
MCU
STM32F103C8T6
With all required components



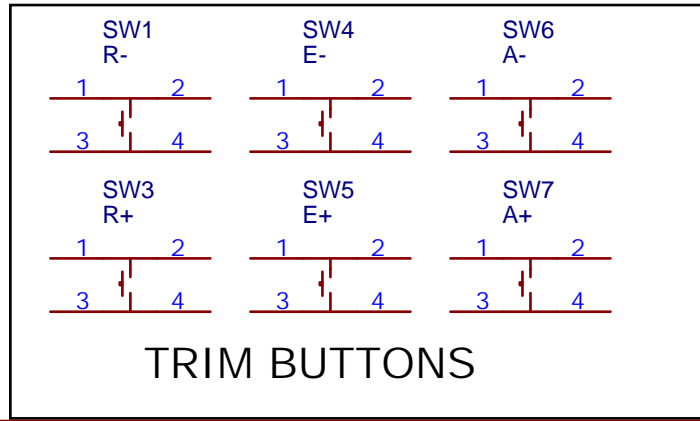
BUZZER



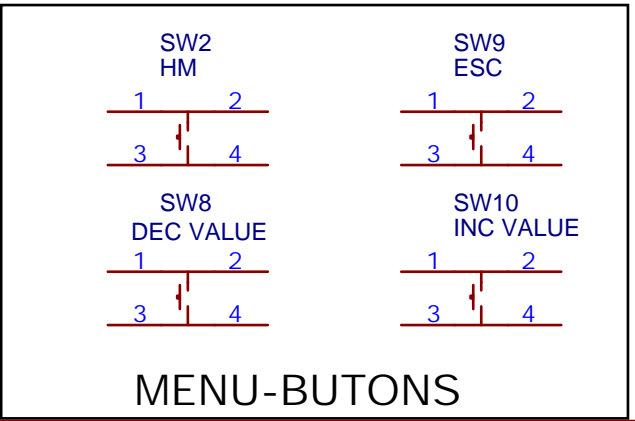
PPM OUTPUT



ROTARY ENCODER



TRIM BUTTONS



MENU-BUTTONS

TITLE: TRANSMITTER		REV: 2.4
Company: DIY TECHOS		Sheet: 1/1
Date: 10-09-2024	Drawn By: MR AHSAN BILAL	