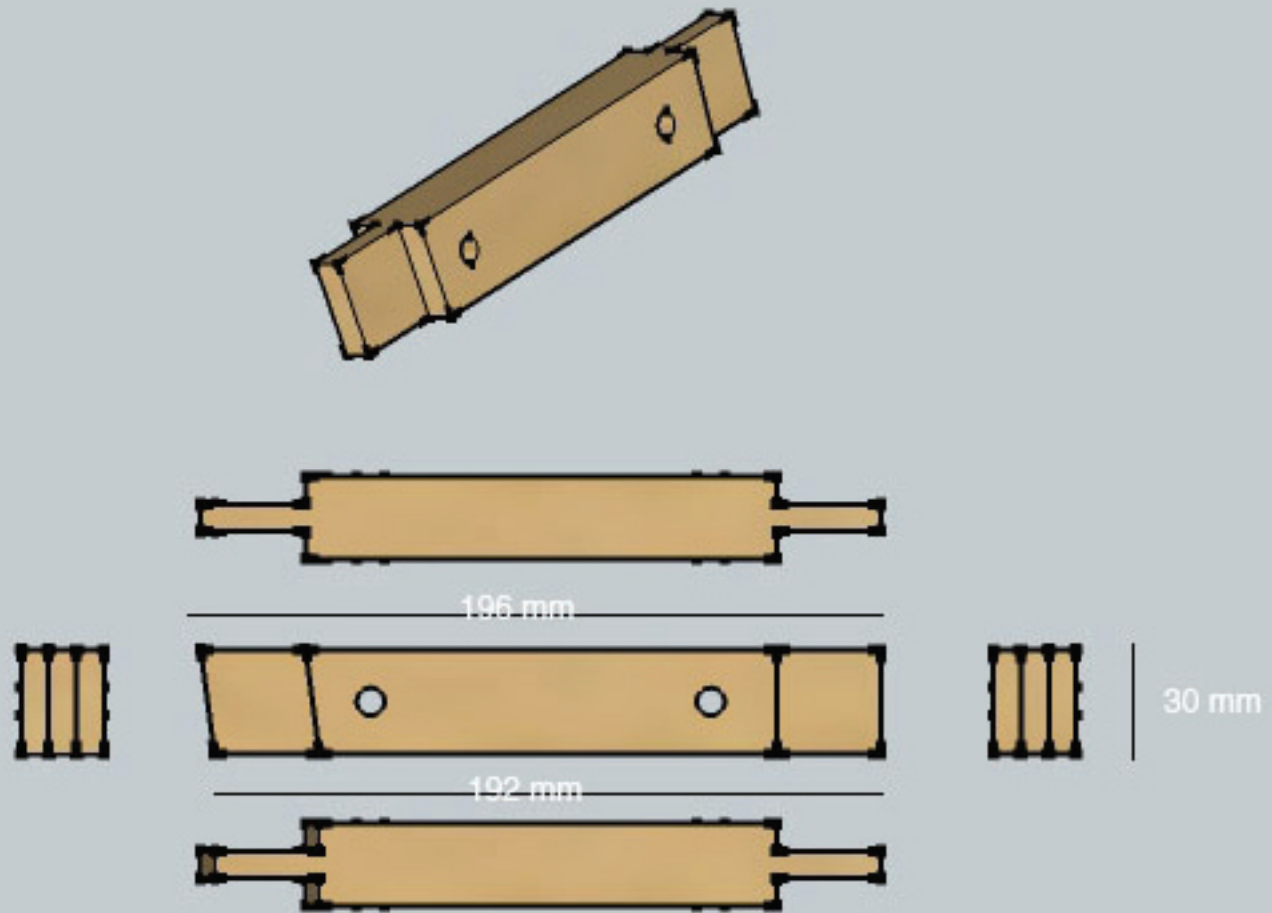
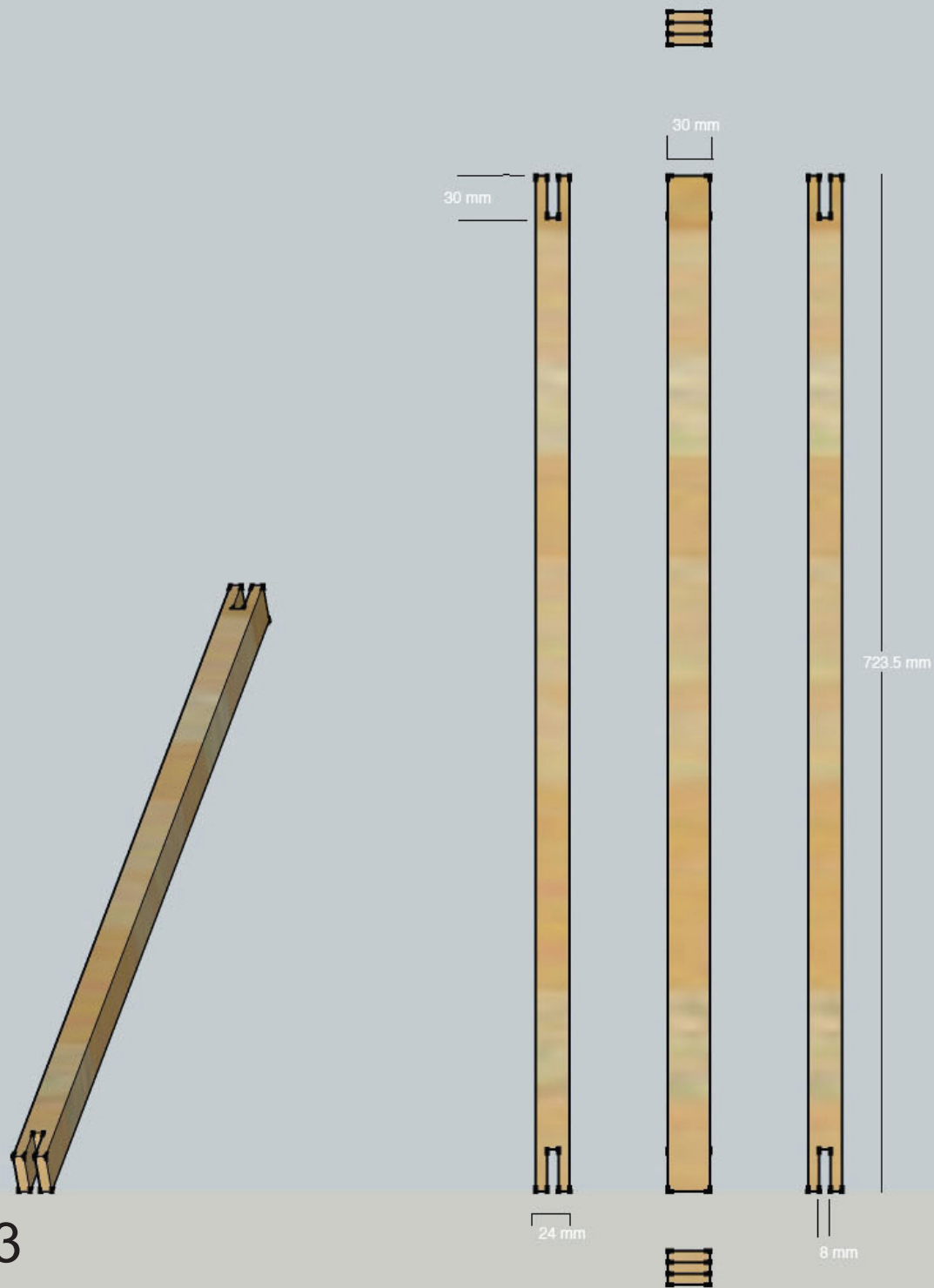


Component 1

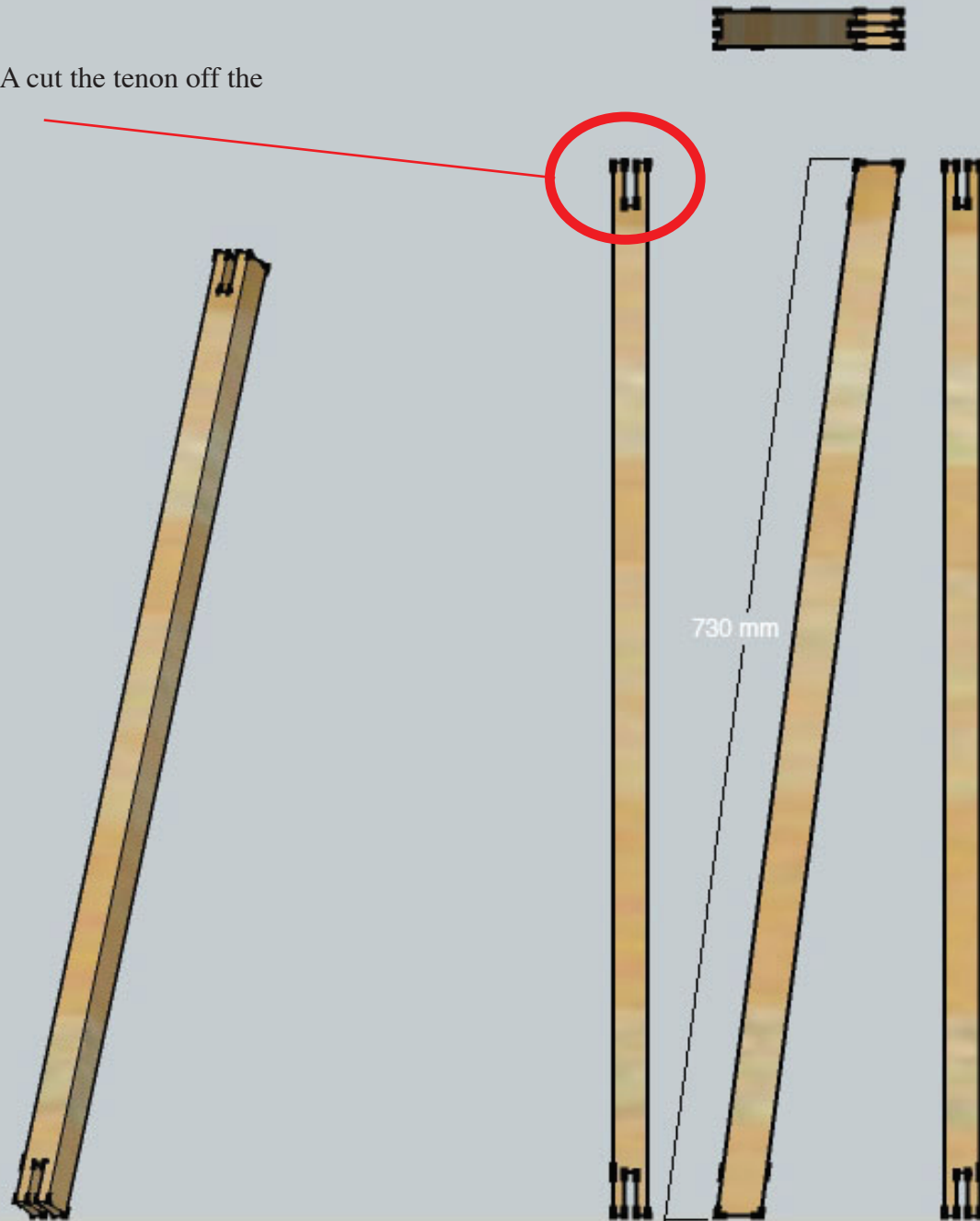


Component 2

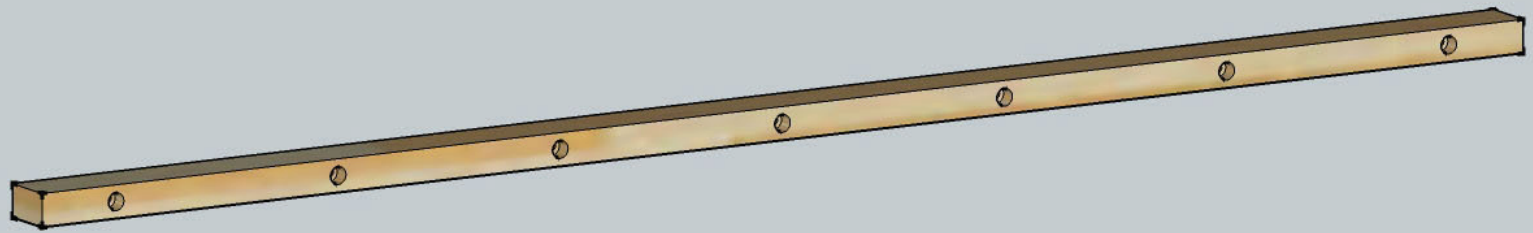
Component 3



for component 4A cut the tenon off the top



Component 4



40 mm



225 mm centres

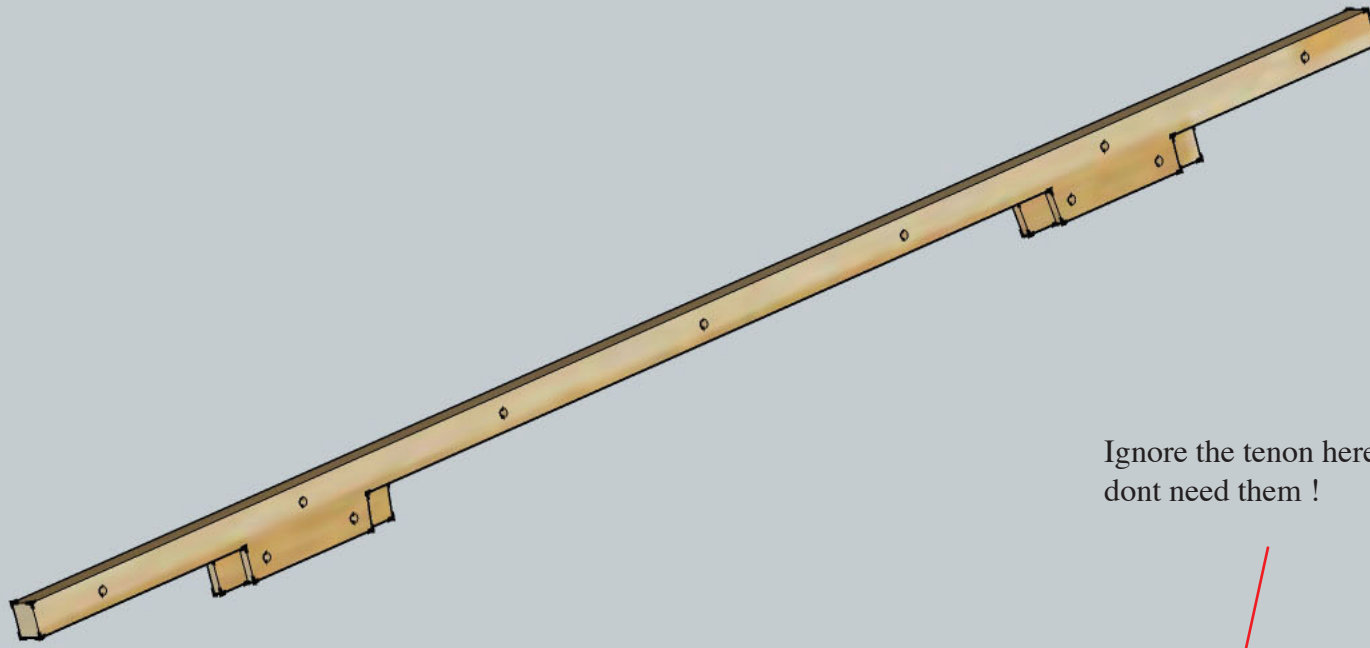
mid point

1500 mm

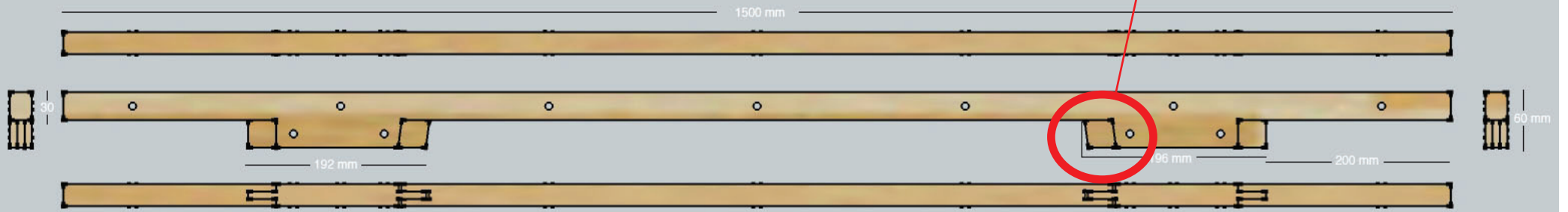
30 mm



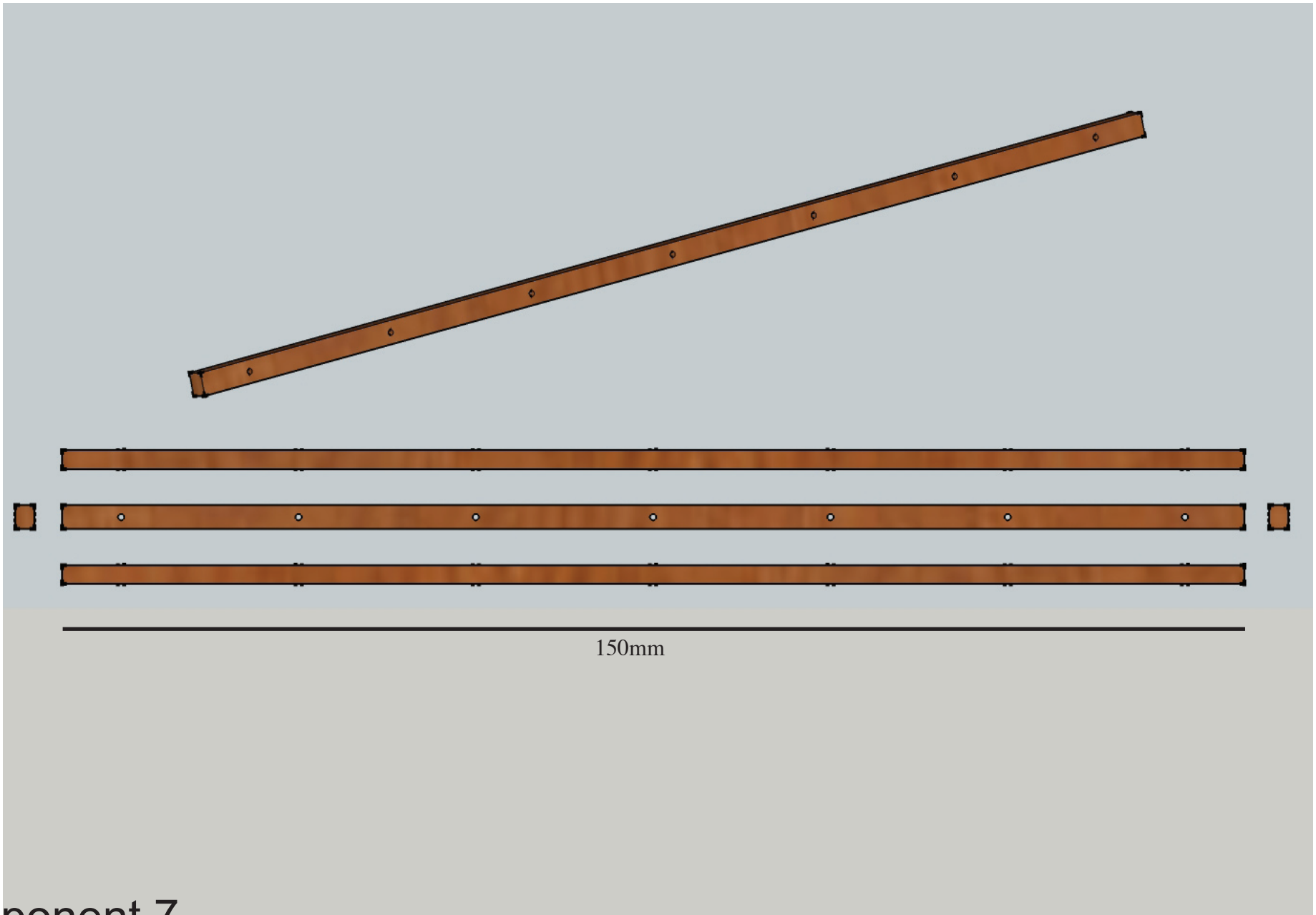
Component 5



Ignore the tenon here and the lower holes you dont need them !



Component 6



Component 7

