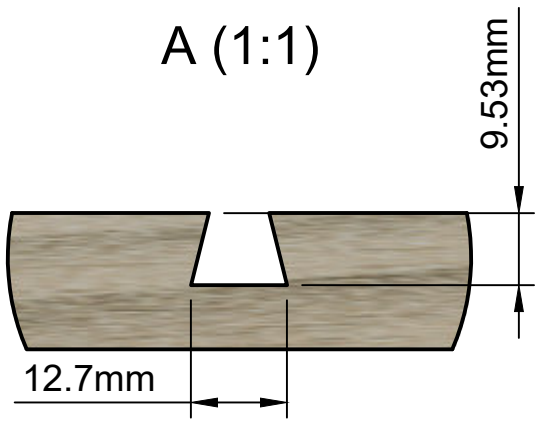


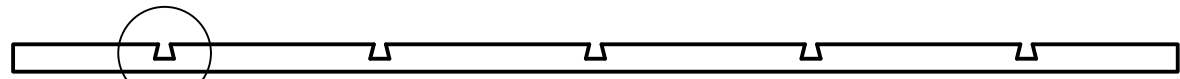
TAPERING JIG



A (1:1)



Use a 14°, 1/2" x 3/8" router bit to create the dovetail

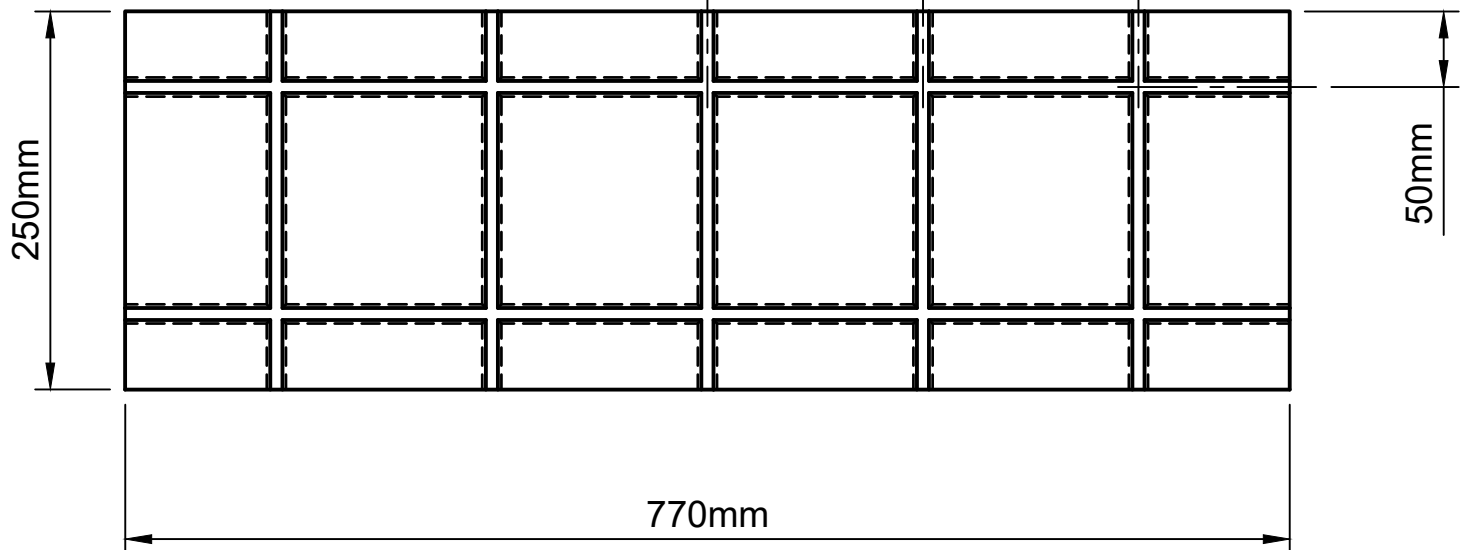


A

385mm

242.5mm

100mm



250mm

770mm

50mm

