

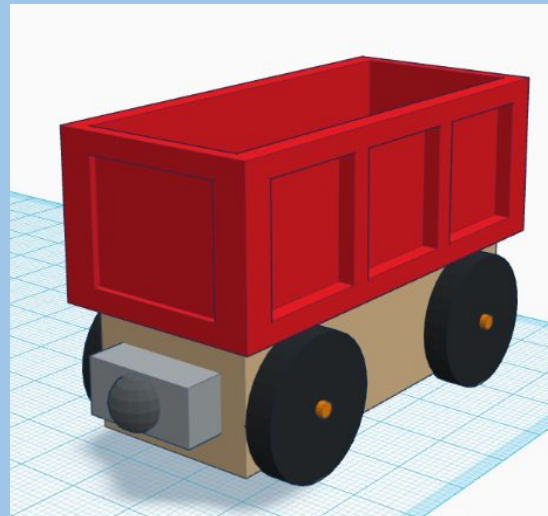
## Repeated Elements. (Toy Train Project)

Your Name:

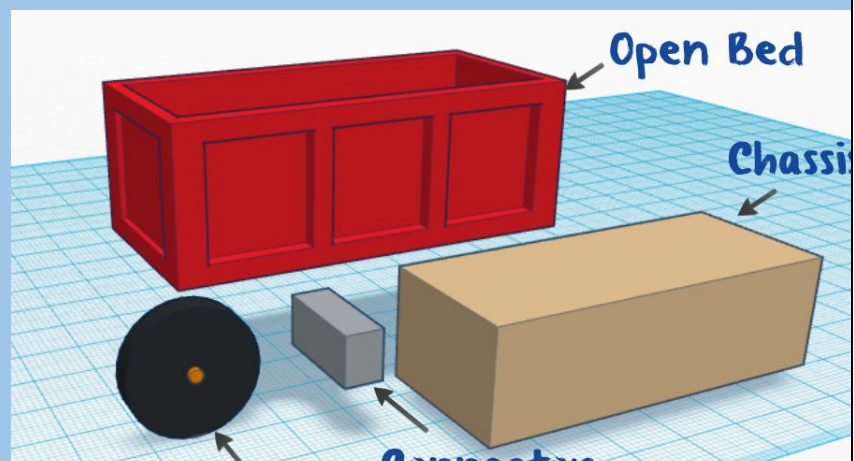
Partner's Name:

### Create a Freight Car

**Your task.** For this challenge, you will be designing something with *no written instructions* – your guide will be the image itself. Recreate the freight car in the picture below by first creating its basic elements. While it does not have to be exactly like this freight car, it should express symmetry, good alignment, and all parts should be in proportion with one another.

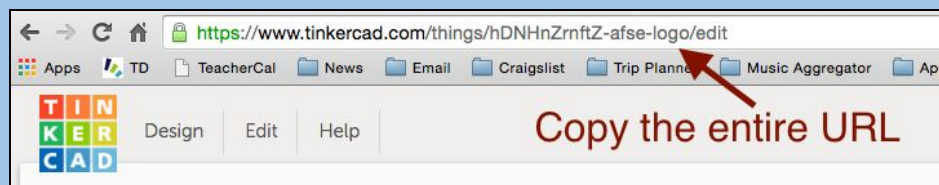


**Day 1** – Create a wheel, a chassis, a connector, and an open bed for your rail car.



To begin:

- Log into [TinkerCAD](https://www.tinkercad.com) and *open the design you started in our last class.*
- Grab the URL from the URL bar above your Tinkercad design.



- Paste the link here:

### ***Questions***

1. How did you create your wheel?

2. Insert a screenshot of your wheel in the space below.

3. How did you create your chassis and connecting link?

4. Insert a screenshot of your chassis and connecting link.

5. Describe how you created your open bed. Be sure to include the primitives, tools, and techniques used from the start to the end of the process.

6. Insert a screenshot of the open bed you designed.

### **Summary**

In detail, describe all tools that you found to be **most helpful** while creating these four parts - wheel, chassis, connecting link, and open bed - of your freight car. How were they helpful?