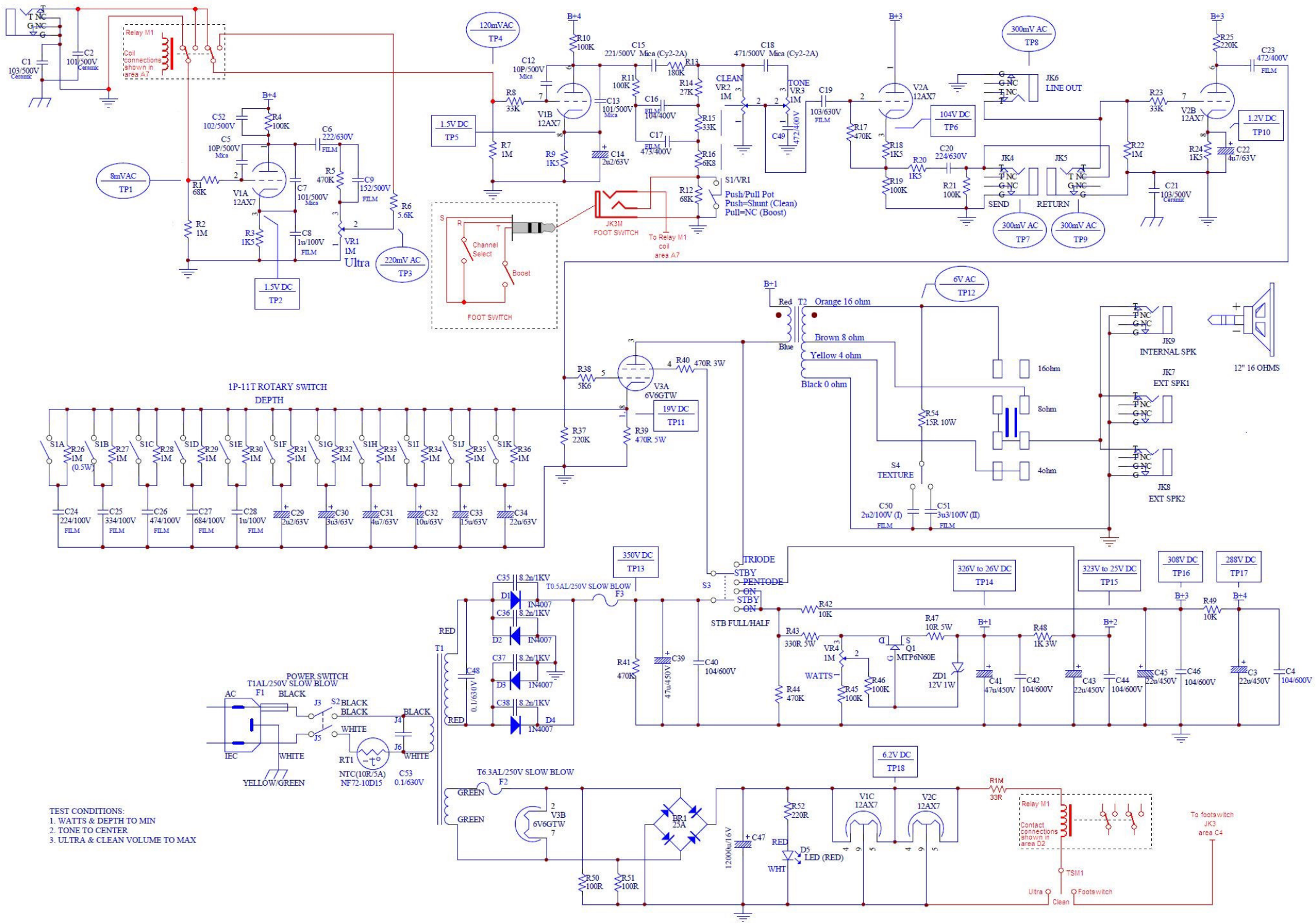


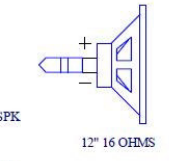
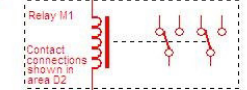
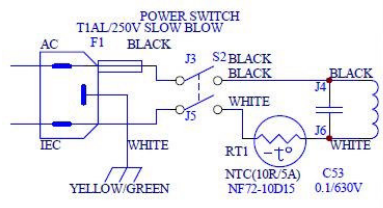
TEST CONDITIONS:
 1. WATTS & DEPTH TO MIN
 2. TONE TO CENTER
 3. ULTRA & CLEAN VOLUME TO MAX



| | | | | | |
|-------|-----------|----------|---------------------|---------|--|
| Title | | | VHT Special 6 Ultra | | |
| Size | Number: | Revision | | Rev.5.2 | |
| A3 | | | | | |
| Date: | 3/10/2011 | | | | |



TEST CONDITIONS:
 1. WATTS & DEPTH TO MIN
 2. TONE TO CENTER
 3. ULTRA & CLEAN VOLUME TO MAX



To footswitch JK3 area C4