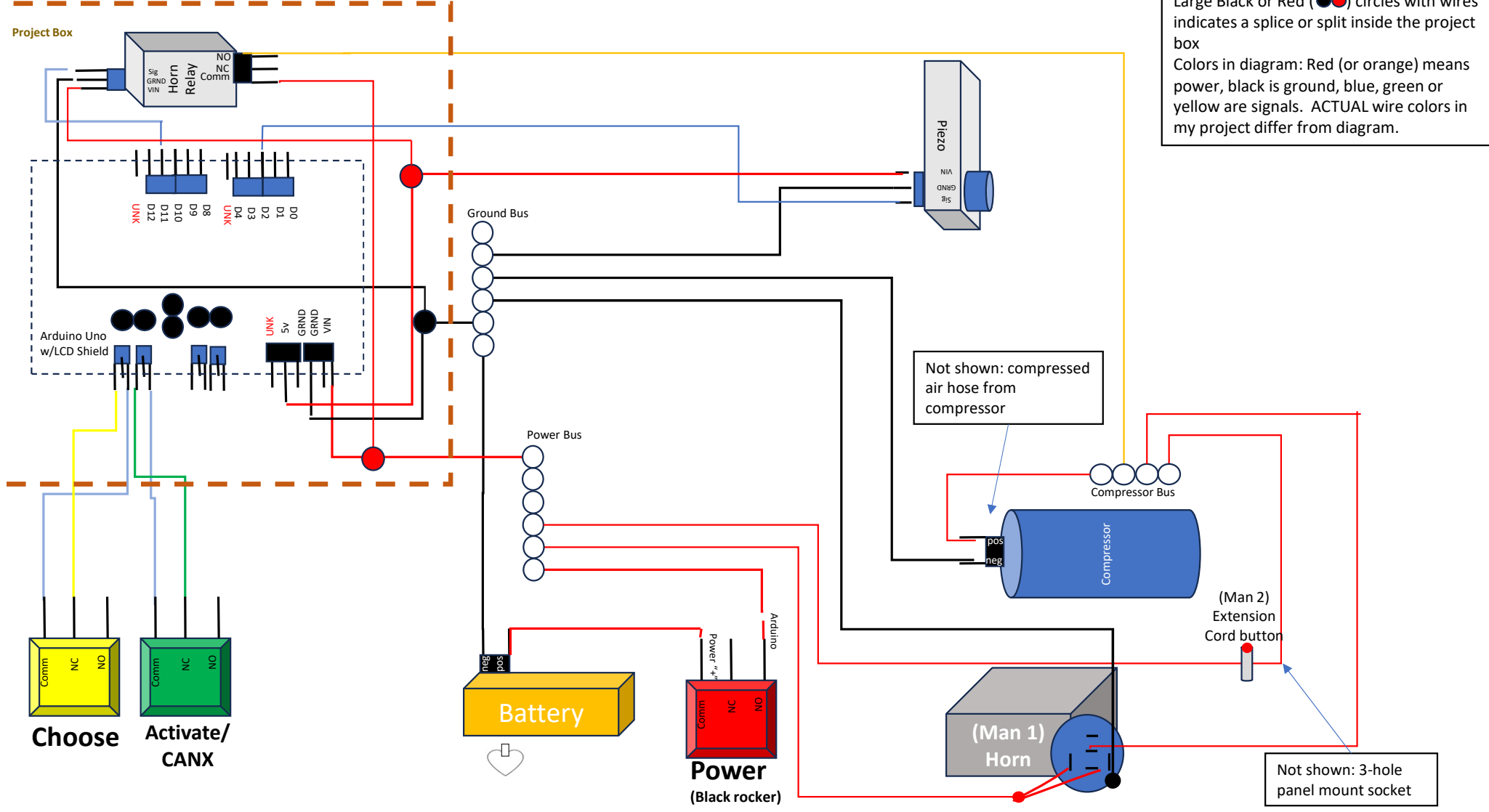


Add Bus (4) (Jan 2024) As-Built

Relative position of components is for clarity and illustration only

Note:
 Large Black or Red (●●) circles with wires indicates a splice or split inside the project box
 Colors in diagram: Red (or orange) means power, black is ground, blue, green or yellow are signals. ACTUAL wire colors in my project differ from diagram.



Not shown: 3-hole panel mount socket