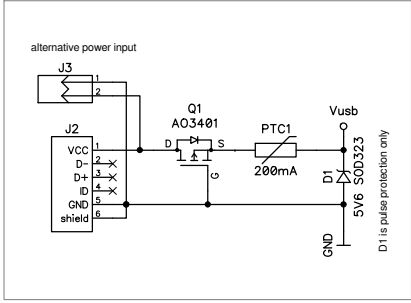
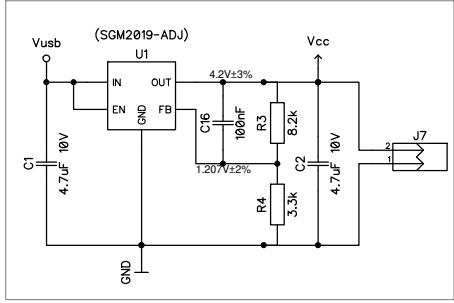


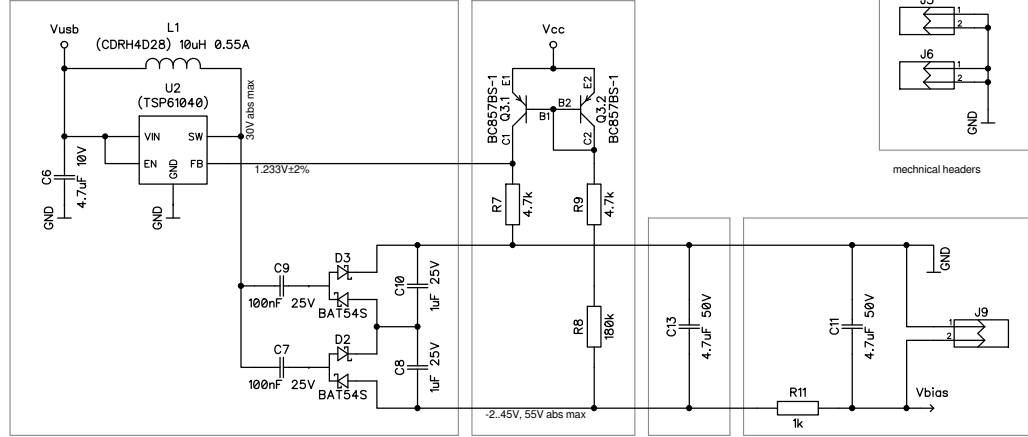
TOP PCB



power input with protection



linear regulator

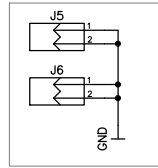


step up regulator, voltage inverter and voltage doubler combined

feedback & level translator

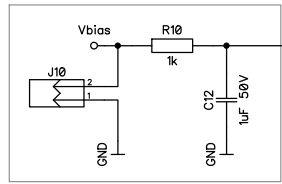
optional load

output with optional low pass

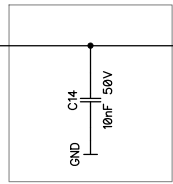


mechanical headers

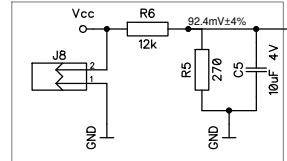
BOTTOM PCB



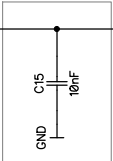
input with optional low pass filter



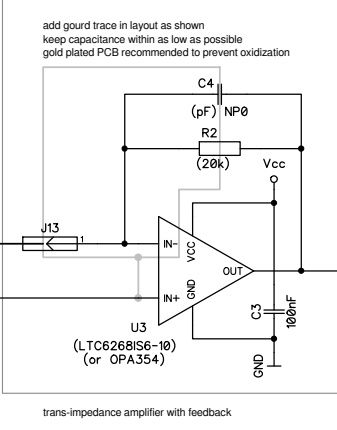
HF-short reduces effective loop area



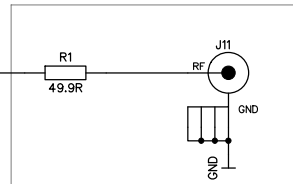
optional bias network required for some opamps see TI appnote TIDJ535



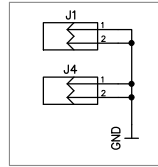
HF-short provides a signal-ground for the guard trace



trans-impedance amplifier with feedback



50 Ohm transmission line with matching & connector



mechanical headers

NOTES

- most pin headers connect top & bottom PCB
- Unless specified otherwise:
  - resistors are 1% accuracy
  - ceramic capacitance ≤ 1nF are NP0
  - ceramic capacitance ≤ 100nF are X7R or better
  - ceramic capacitance > 100nF are X5R or better

|             |            |                          |           |          |                       |  |
|-------------|------------|--------------------------|-----------|----------|-----------------------|--|
| XJ0A        | Quantity   | Oscilloscope Light Probe |           |          | Article No./Reference |  |
| Designed by | Checked by | Approved date            | File name | Date     | Scale                 |  |
| nqtronix    | nqtronix   | 20190525                 |           | 20190525 | 1:1                   |  |
|             |            |                          |           | Edition  | Sheet                 |  |
|             |            |                          |           | 0        | 1/1                   |  |